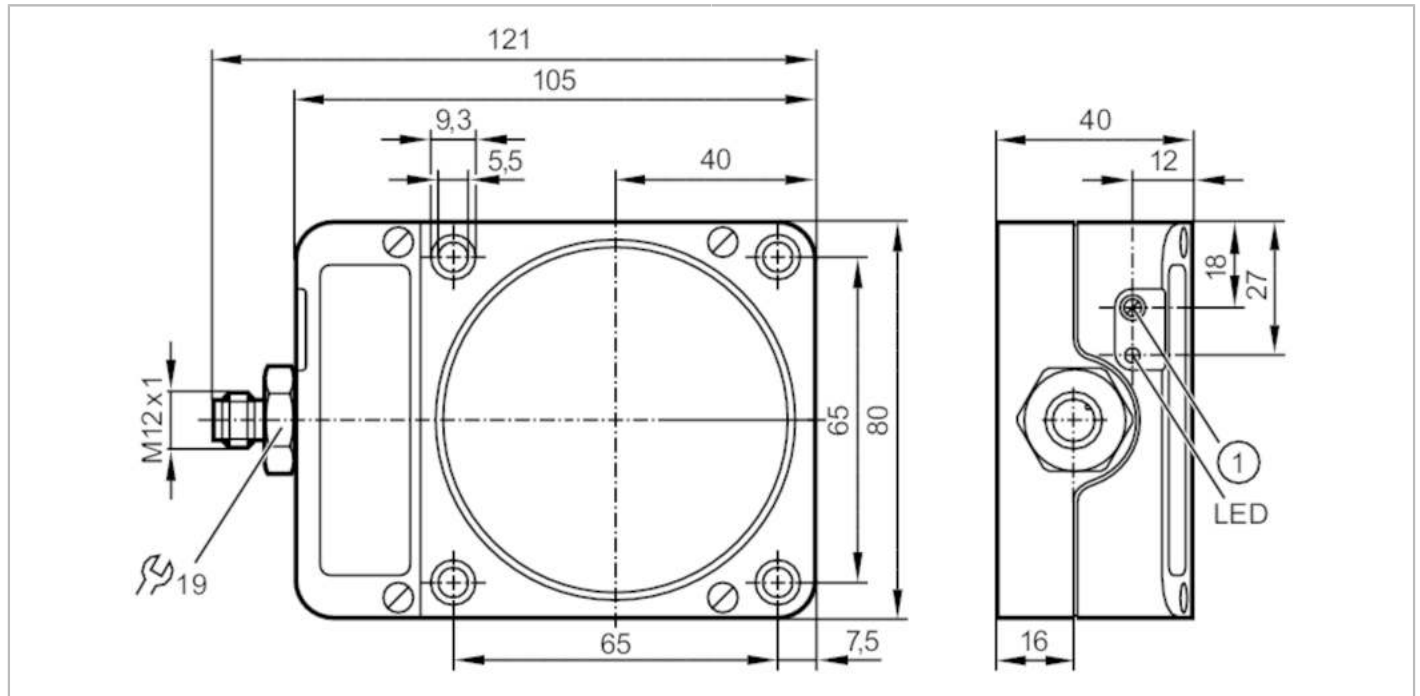


ID5046



Inductive sensor

IDE3060-FPKG/US-100-DPS



Product characteristics

Electrical design		PNP
Output function		normally open / normally closed; (selectable)
Sensing range	[mm]	20...60
Housing		rectangular
Dimensions	[mm]	105 x 80 x 40

Electrical data

Operating voltage	[V]	10...36 DC
Current consumption	[mA]	< 15
Protection class		II
Reverse polarity protection		yes

Outputs

Electrical design		PNP
Output function		normally open / normally closed; (selectable)
Max. voltage drop switching output DC	[V]	2.5
Permanent current rating of switching output DC	[mA]	250
Switching frequency DC	[Hz]	100
Short-circuit protection		yes
Type of short-circuit protection		pulsed
Overload protection		yes

Detection zone

Sensing range	[mm]	20...60
---------------	------	---------

ID5046



Inductive sensor

IDE3060-FPKG/US-100-DPS

Sensing range adjustable	yes
Factory setting sensing range [mm]	60
Real sensing range Sr [mm]	60 ± 10 %
Operating distance [mm]	0...48.6

Accuracy / deviations

Correction factor	steel: 1 / stainless steel: 0.7 / brass: 0.4 / aluminium: 0.3 / copper: 0.2
Hysteresis [% of Sr]	1...15
Switch point drift [% of Sr]	-10...10

Operating conditions

Ambient temperature [°C]	-25...80
Protection	IP 67

Tests / approvals

EMC	EN 61000-4-2 ESD	- CD / 8 kV AD
	EN 61000-4-3 HF radiated	3 V/m
	EN 61000-4-4 Burst	2 kV
	EN 61000-4-5 Surge	0,5 kV line to line, Ri: 2 Ohm
	EN 61000-4-6 HF conducted	3 V
	EN 55011	class B
MTTF [years]	1277	
UL approval	Ta	0...40 °C
	Enclosure type	Type 1
	power supply	Hazardous voltage
	File number UL	E174191

Mechanical data

Weight [g]	440.5
Housing	rectangular
Mounting	non-flush mountable
Dimensions [mm]	105 x 80 x 40
Materials	PPE

Displays / operating elements

Display	switching status	1 x LED, yellow
---------	------------------	-----------------

Accessories

Items supplied	screwdriver: 1
----------------	----------------

Remarks

Remarks	For the normally closed function, connect pin 3 (blue) to terminal 5 in the unit
Pack quantity	1 pcs.

ID5046

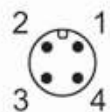


Inductive sensor

IDE3060-FPKG/US-100-DPS

Electrical connection - plug

Connector: 1 x M12; coding: A



Connection

