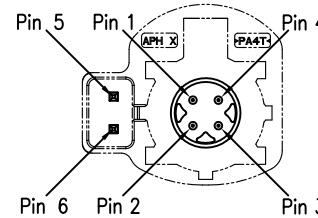
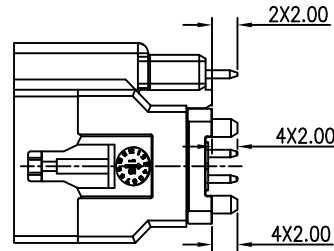
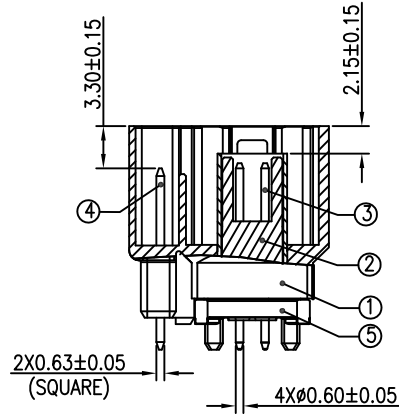


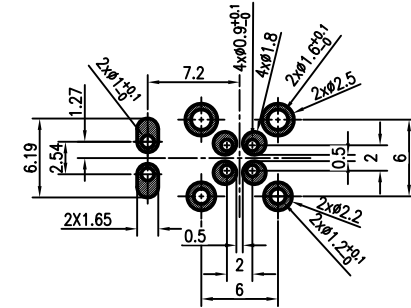
This document is the property of Amphenol Corporation and is delivered on the express condition that it is not to be disclosed, reproduced or used, in whole or in part, for manufacture or sale by anyone other than Amphenol Corporation without its prior consent, & that no right is granted to disclose or to use any information in this document.

CUSTOMER DRAWING

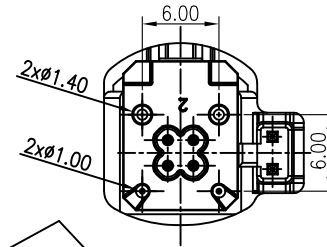
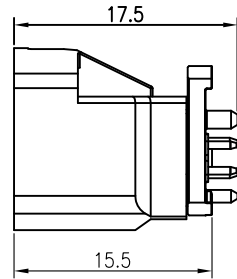
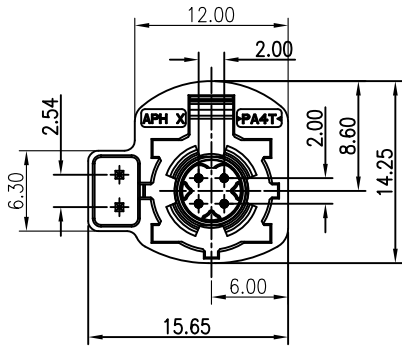
REVISIONS				
SYM	ECN	DESCRIPTION	DATE	APPROVED
4	TBD	ADD THE DIMENSION OF POST	12/28'18	IP
5	TBD	ADD THE DIMENSION 12.00 AND 6.30	01/11'19	IP
6	TBD	ADD NEW PACKING OPTION	03/11'19	IP
7	HK8466	ADD PLATING OPTION OF POWER CONTACT	08/29'19	IP



PINNING STANDARD



RECOMMENDED PCB LAYOUT TOP VIEW
TOLERANCE: ±0.05(PCB THICKNESS=1.6±0.15mm)
THICKNESS OF STENCIL: 0.2mm



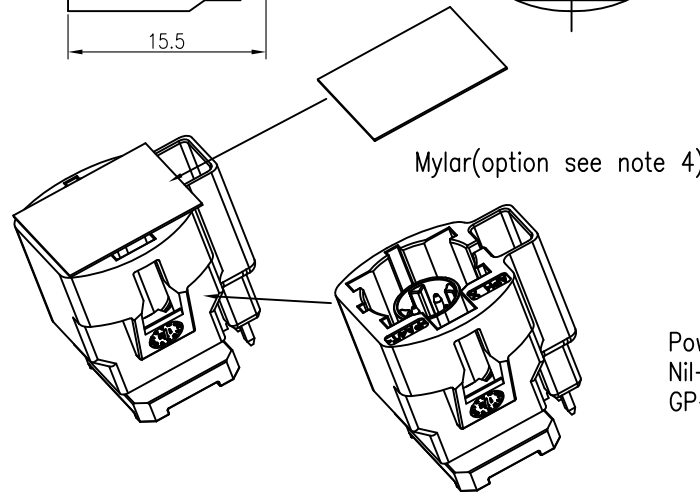
Notes:

- Material:
 - ① Housing: High temperature Thermoplastic,color see table 1.
 - ② Dielectric: High temperature thermoplastic,color black.
 - ③ Center contacts: Copper alloy.
 - ④ Square Contact : Copper alloy.
 - ⑤ Outer Contact: Zinc alloy.
- Finish:
 - ③ Center contacts: Center contacts: 0.15µm Min gold mating area; gold flash on solder tail.
 - ④ Square contact: 1-3µm Tin.
 - ⑤ Outer Contact: 1.25-6µm matte tin on solder tail.
- RoHS compliant.
- Order P/N system:
HSD NXSP PCB 15XXX

Coding: _____
See table 1

Packing method:
A- Packing by tape & reel
B- Packing by tray
C- Single Packing
D- Packing by tape & reel without mylar

Power contact plating option:
Nil- Tin plated
GP- Gold plated



Mylar(option see note 4)

Connector

3D PROFILE



Table 1

Plug	Coding	Color	Ral
	A	Black	9005
	B	White	9001
	C	Blue	5005
	D	Claret	4004
	E	Green	6002
	F	Brown	8011
	Z	Waterblue	5021

UNLESS OTHERWISE SPECIFIED TOLERANCES		APPROVAL		DATE	Amphenol
U.S. METRIC		DRAWN	WIII	08/29'19	
X +/-	0.50	CHECKED			
.XX +/-	0.25	CHECKED			
.XXX +/-	0.20				TITLE
FRACTIONS +/-					HSD + 2POS POWER PLUG, VERTICAL NORTH LOCATION
ANGLES +/-	5°				SIZE
FOR MATERIALS AND FINISHES SEE NOTES		DRAWING FILE :			DRAWING NO.
REMOVE SHARP EDGES		ANGLE OF PROJECTION			A3
DIMENSIONS					HSDNXSPPCB15XXX
U.S. INCHES	METRIC MM				SCALE
				SHEET 1 OF 1	