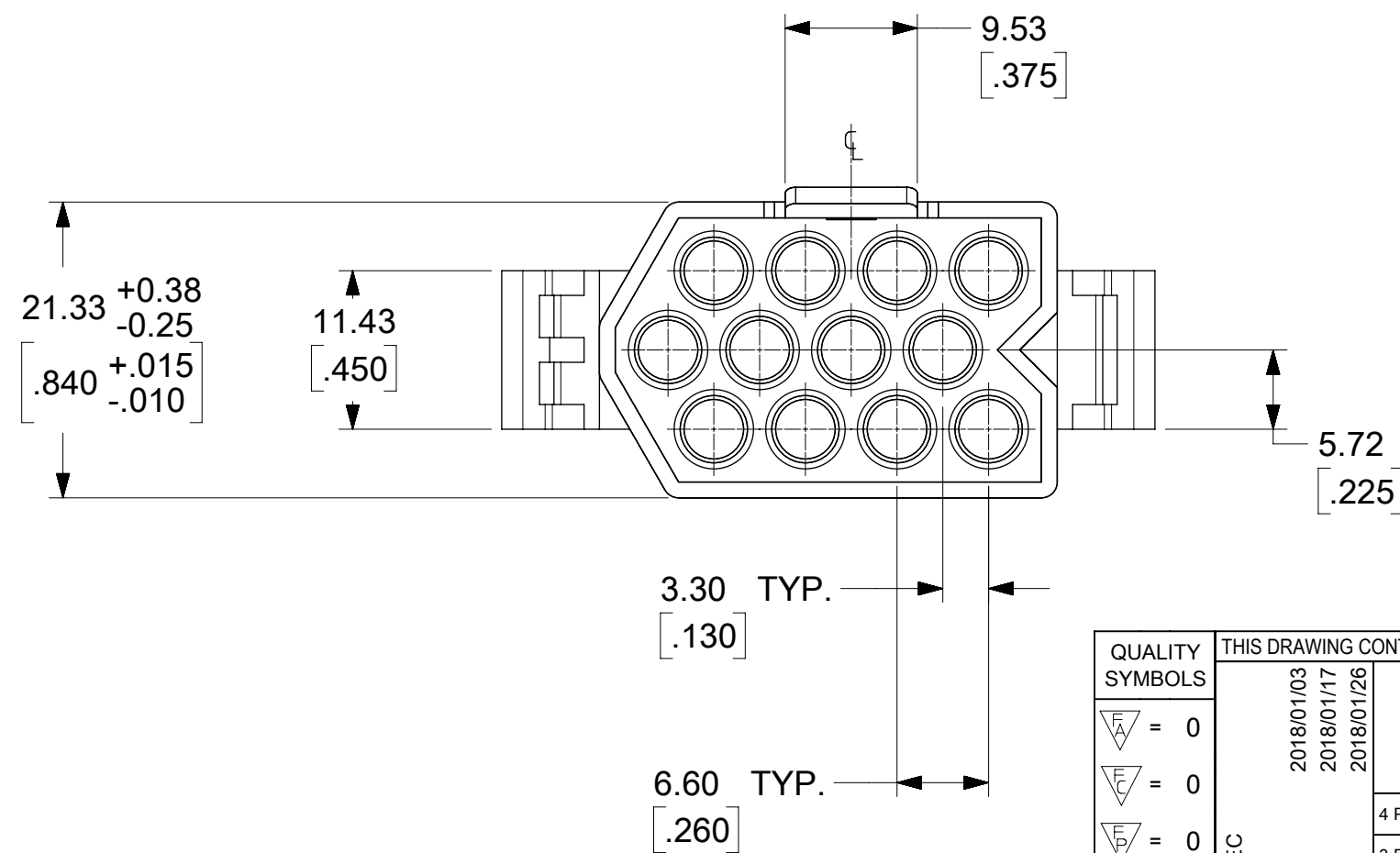
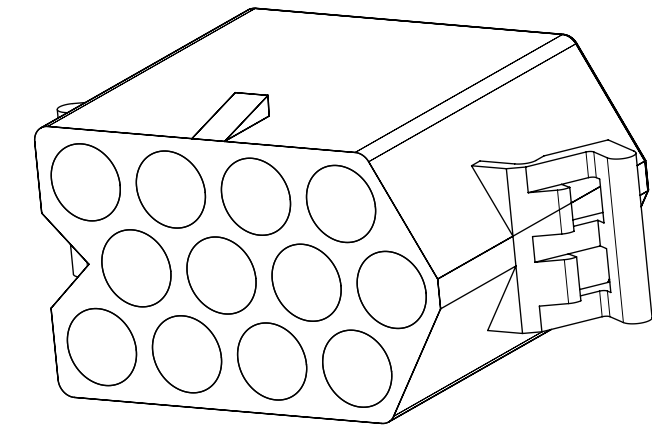
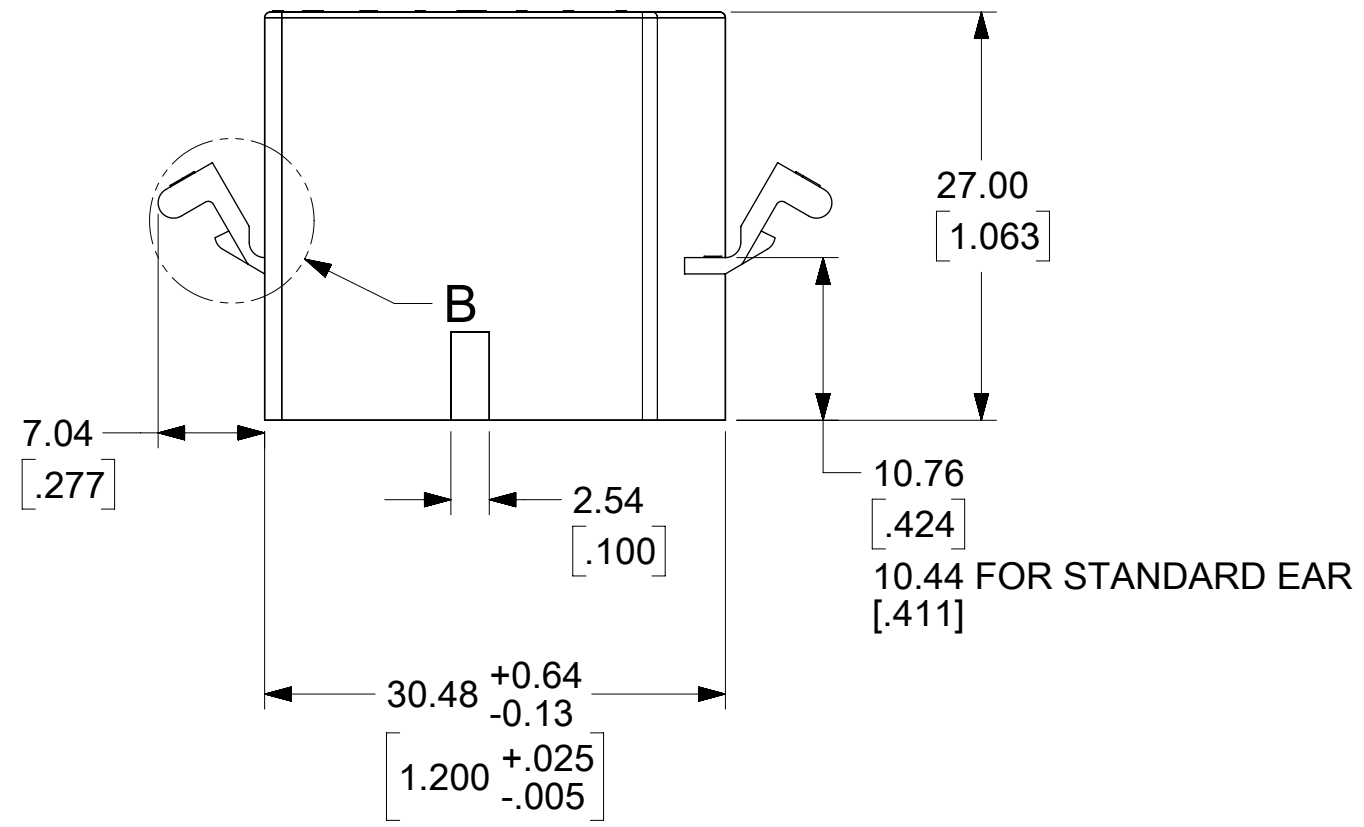
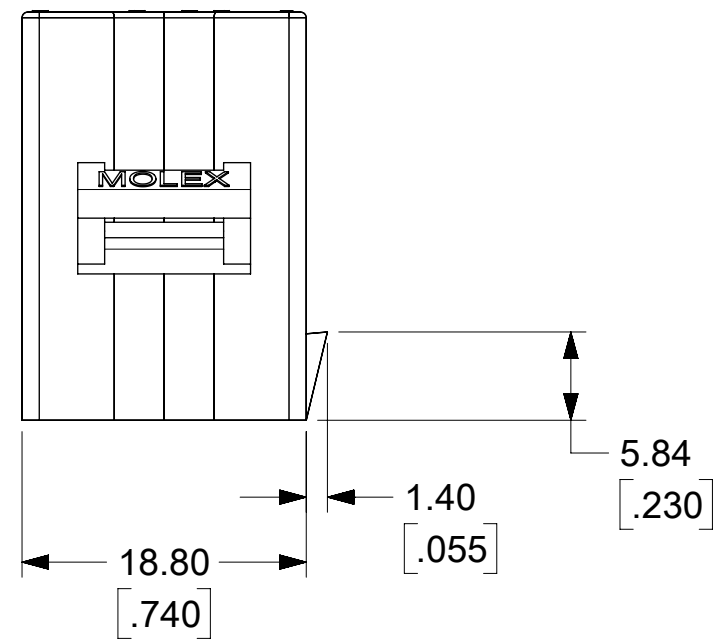
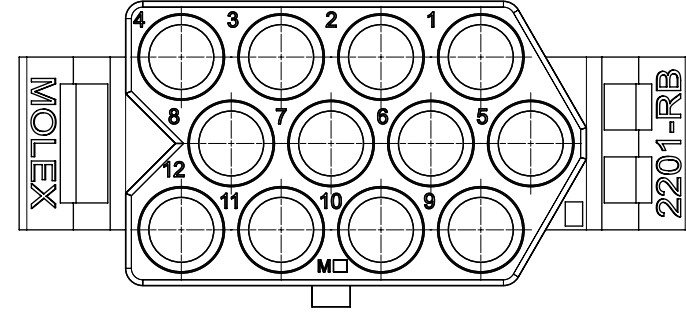


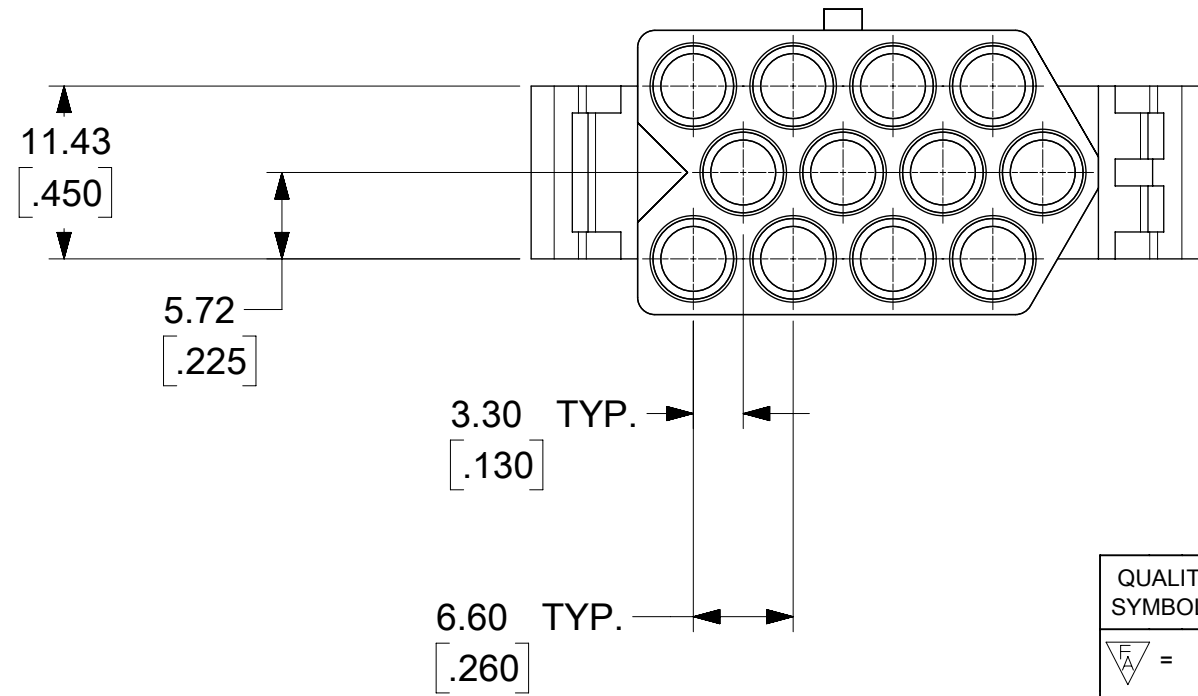
PLUG 2201-PB



QUALITY SYMBOLS		THIS DRAWING CONTAINS INFORMATION THAT IS PROPRIETARY TO MOLEX ELECTRONIC TECHNOLOGIES, LLC AND SHOULD NOT BE USED WITHOUT WRITTEN PERMISSION				DIMENSION UNITS		SCALE				
▽ = 0	▽ = 0	GENERAL TOLERANCES (UNLESS SPECIFIED)		MM/IN	2:1	DRWN BY		DATE				
▽ = 0	▽ = 0	4 PLACES ±		MM	INCH	BAPPELDORN		2016/06/01		PRODUCT CUSTOMER DRAWING		
▽ = 0	▽ = 0	3 PLACES ±		ANGULAR TOL ±		CHK'D BY		DATE				
▽ = 0	▽ = 0	2 PLACES ± 0.25 ± 0.014		DRAFT WHERE APPLICABLE MUST REMAIN WITHIN DIMENSIONS		MKIPPER		2016/06/10		2201 SEE CHART		
▽ = 0	▽ = 0	1 PLACES ± 0.35 ±		DRAWING SIZE		APPR BY		DATE				
▽ = 0	▽ = 0	0 PLACES ±		C	THIRD ANGLE PROJECTION	FSMITH		2016/06/13		22010000-SD PSD 000 1 OF 3		
□ = 0	■ = 0	PK SPEC		C		EC NO: 170211						
▽ = 0	▽ = 0	REV APPR: FSMITH		C		DRWN: AZAHIROVIC						
		2018/01/17		C		CHKD: MKIPPER						
		2018/01/26		C		APPR: FSMITH						
				A2								



RECEPACLE 2201-RB



QUALITY SYMBOLS		THIS DRAWING CONTAINS INFORMATION THAT IS PROPRIETARY TO MOLEX ELECTRONIC TECHNOLOGIES, LLC AND SHOULD NOT BE USED WITHOUT WRITTEN PERMISSION			
▽ = 0	PK SPEC	GENERAL TOLERANCES (UNLESS SPECIFIED)		DIMENSION UNITS	SCALE
▽ = 0	EC NO: 170211	MM	INCH	MM/IN	2:1
▽ = 0	DRWN: AZAHIROVIC	4 PLACES ±	±	DRWN BY	DATE
▽ = 0	2018/01/17	3 PLACES ±	± 0.01	BAPPELDORN	2016/06/01
▽ = 0	CHKD: MKIPPER	2 PLACES ±	± 0.014	CHK'D BY	DATE
▽ = 0	2018/01/26	1 PLACES ±	±	MKIPPER	2016/06/10
▽ = 0	APPR: FSMITH	0 PLACES ±	±	APPR BY	DATE
▽ = 0				FSMITH	2016/06/13
▽ = 0		ANGULAR TOL ±		DRAWING SIZE	THIRD ANGLE PROJECTION
▽ = 0				C	
▽ = 0		DRAFT WHERE APPLICABLE MUST REMAIN WITHIN DIMENSIONS			
RELEASE STATUS		P1		RELEASE DATE	
12		11		2018/01/26 23:39:32	
11		10		9	
10		9		8	
9		8		7	
8		7		6	
7		6		5	
6		5		4	
5		4		3	
4		3		2	
3		2		1	
2		1		1	



12 CIRCUIT HOUSING PLUG & RECEPTACLE

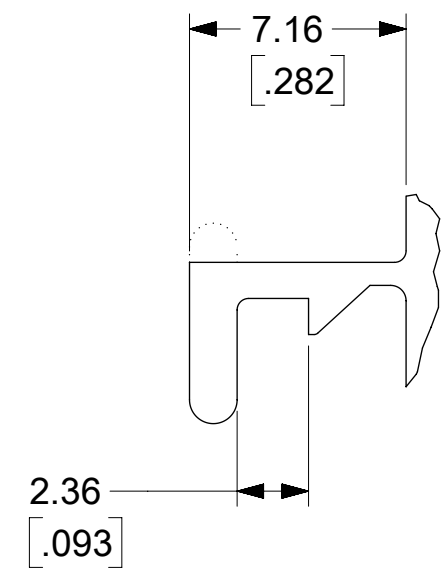
PRODUCT CUSTOMER DRAWING

SERIES: 2201 MATERIAL NUMBER: SEE CHART CUSTOMER:

DOCUMENT NUMBER: 22010000-SD DOC TYPE: PSD DOC PART: 000 SHEET NUMBER: 2 OF 3

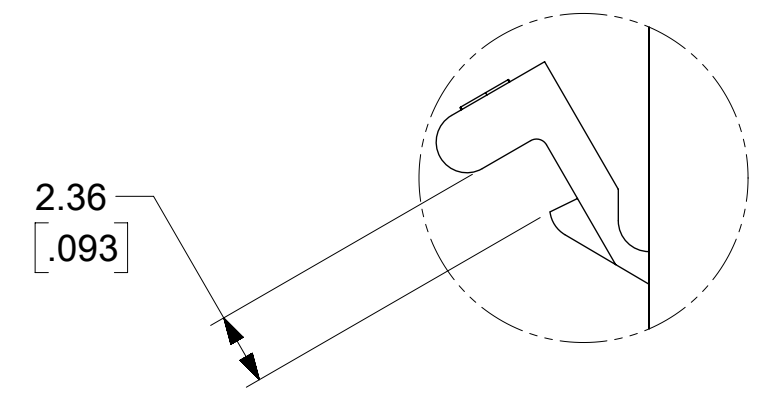
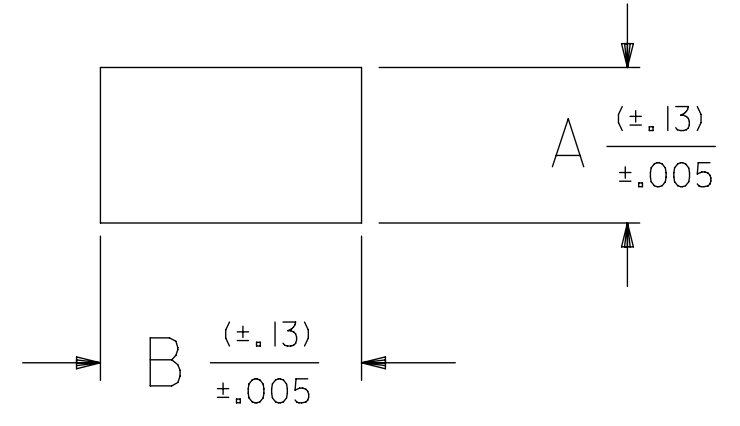
PLUG		
PART NO.	ENG. NO.	DESCRIPTION
46999-0802	2201-PB	PLUG WITH PRE-BENT EARS (DETAIL B)

RECEPTACLE		
PART NO.	ENG. NO.	DESCRIPTION
46999-0803	2201-RB	RECEPTACLE WITH PRE-BENT EARS (DETAIL B)



DETAIL A
SCALE 4:1
STANDARD MOUNTING EAR

MOUNTING PANEL OPENING		
HOUSING	DIM. "A"	DIM. "B"
PLUG	21.72/.855	37.08/1.460
RECEPTACLE	20.57/.810	34.54/1.360



DETAIL B
SCALE 4:1
PRE-BENT MOUNTING EAR

NOTES:

- 1) MATERIAL: NYLON TYPE 6/6, 94V-2, NATURAL.
- 2) FINISH: N/A
- 3) PRODUCT SPEC: NONE.
- 4) PACKAGING SPECS: BULK PACK PER 22010000-PK.
- 5) FOR USE WITH 3.18/.125 DIA. SERIES TERMINALS.
- 6) MAXIMUM PANEL THICKNESS 2.29/.090.
- 7) PARTS CONFORM TO CLASS B REQUIREMENTS OF COSMETIC SPECIFICATION PS-45499-002.

QUALITY SYMBOLS 	THIS DRAWING CONTAINS INFORMATION THAT IS PROPRIETARY TO MOLEX ELECTRONIC TECHNOLOGIES, LLC AND SHOULD NOT BE USED WITHOUT WRITTEN PERMISSION				
	PK SPEC EC NO: 170211 DRWN: AZAHIROVIC CHKD: MKIPPER REV APPR: FSMITH	GENERAL TOLERANCES (UNLESS SPECIFIED)		DIMENSION UNITS MM/IN	SCALE 1:1
			MM	INCH	DRWN BY BAPPELDORN
		4 PLACES	±	±	DATE 2016/06/01
		3 PLACES	±	± 0.01	CHK'D BY MKIPPER
		2 PLACES	± 0.25	± 0.014	DATE 2016/06/10
	1 PLACES	± 0.35	±	APPR BY FSMITH	
	0 PLACES	±	±	DATE 2016/06/13	
		ANGULAR TOL		DRAWING SIZE C	
		DRAFT WHERE APPLICABLE MUST REMAIN WITHIN DIMENSIONS		THIRD ANGLE PROJECTION	
RELEASE STATUS P1		RELEASE DATE 2018/01/26 23:39:32			
		12 CIRCUIT HOUSING PLUG & RECEPTACLE			
		PRODUCT CUSTOMER DRAWING			
		SERIES 2201	MATERIAL NUMBER SEE CHART	CUSTOMER	
		DOCUMENT NUMBER 22010000-SD	DOC TYPE PSD	DOC PART 000	
		SHEET NUMBER 3 OF 3			