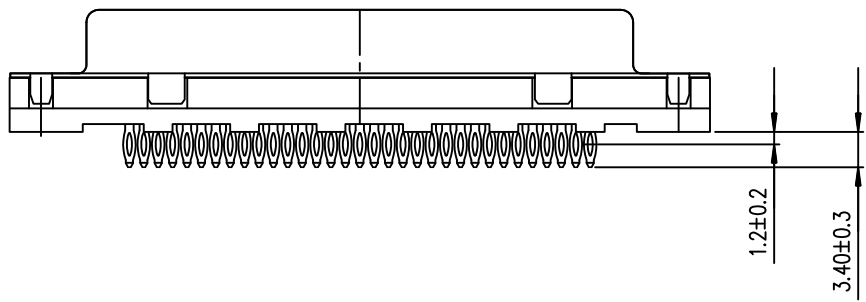
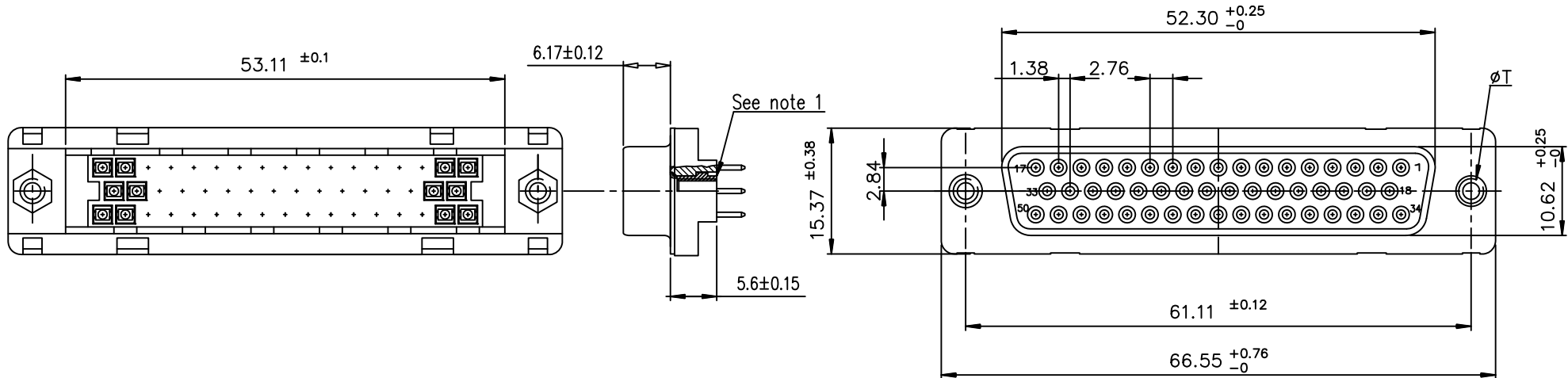


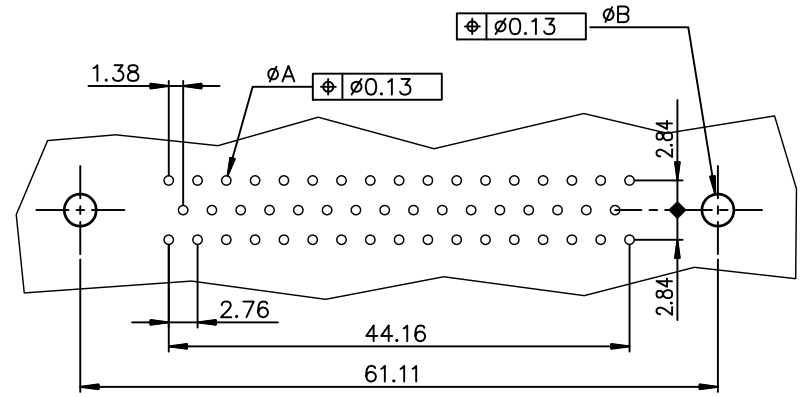


FCIconnect.com

Copyright FCI



PC board drilling dimensions  
(after plating – thickness: 1.60 to 3.20 mm)



LEAD FREE PART NUMBER

PART NUMBER	
flash gold	D50S90C4P*00LF
0.76µ gold	D50S90C6P*00LF

X -> ØT=UNC 4-40  
L -> ØT=M3

GENERAL CHARACTERISTICS AND ROHS INFORMATIONS:  
SEE DRAWING C01-8646-0001

Notes:

1) The nut can protrude above the surface of insulator but maintaining the footprint dimension 5.60±0.15 mm.

mat'l. code	-	surface	ISO 1302	tolerance	ISO 406	ISO 1101	projection	product family	D-SUB
Ltr	ecn no	dr	date	angles	linear	0±2'	MM	title	FEMALE DELTA-D LOW PROFILE STRAIGHT PRESS FIT
E	ELX-I-21256	AB	2015/07/14		.0±0.1 .00±0.1 .000±0.1		scale 2:1	dwg no	sheet 1 of 1
				dr	PESSON	1997-07-26		type	Product Customer Drawing
				engr	ALIAS BABU	2015/07/14	FCI		
				chr	MITHUN PAUL	2015/07/14			
				appd	BIJU K PAUL	2015/07/14			
sheet index	revision sheet	E	1						