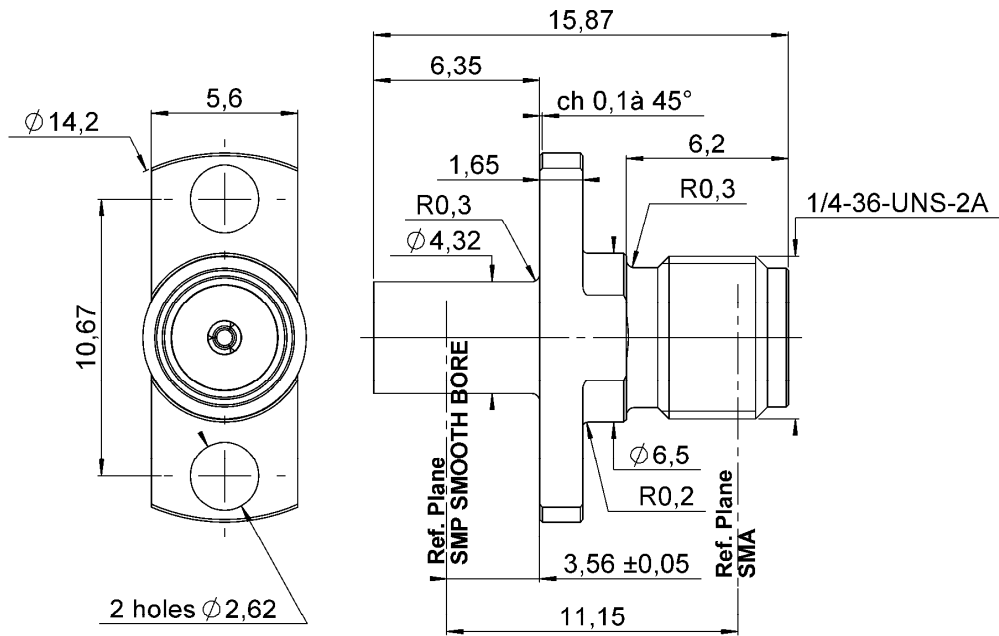
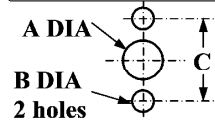


PAGE 1/2	ISSUE 1435A	SERIES ADAPT	PART NUMBER R191843409
----------	-------------	--------------	------------------------

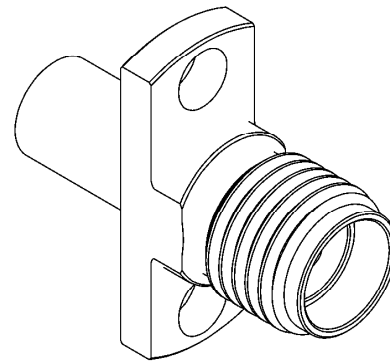
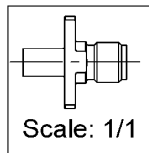


2 holes ϕ 2,62

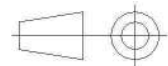
PANEL CUT OUT



	mm	
	Maxi	mini
A	4.5	4.4
B	2.65	2.6
C	10.72	10.62



All dimensions are in mm.



COMPONENTS	MATERIALS	PLATING (μ m)
Body	STAINLESS STEEL	PASSIVATED.
Center contact	BERYLLIUM COPPER	GOLD 1.3 OVER NICKEL 1.3
Outer contact	-	-
Insulator	PTFE	-
Gasket	-	-
Others parts	-	-
-	-	-
-	-	-

PAGE 2/2	ISSUE 1435A	SERIES ADAPT	PART NUMBER R191843409
-----------------	--------------------	---------------------	-------------------------------

PACKAGING

Standard	Unit	Other
1	-	Contact us

ELECTRICAL CHARACTERISTICS

Impedance		50	Ω
Frequency		0-18	GHz
VSWR	1.25	+	0,0000 x F(GHz) Maxi
Insertion loss		0.12	\sqrt{F} (GHz) dB Maxi
RF leakage	- (65	- F(GHz) dB Maxi
Voltage rating		335	Veff Maxi
Dielectric withstanding voltage		500	Veff mini
Insulation resistance		5000	M Ω mini

ENVIRONMENTAL

Operating	-65/+165	$^{\circ}\text{C}$
Hermetic seal		Atm.cm3/s
Panel leakage		

MECHANICAL CHARACTERISTICS

Center contact retention			
Axial force – Mating End		6.8	N mini
Axial force – Opposite end		6.8	N mini
Torque		NA	N.cm mini
Recommended torque			
Mating	SMA	0	N.cm
	SMP	0	N.cm
		0	N.cm
Panel nut			N.cm
Mating life		500	Cycles mini
Weight		2,2500	g

SPECIFICATION

OTHER CHARACTERISTICS