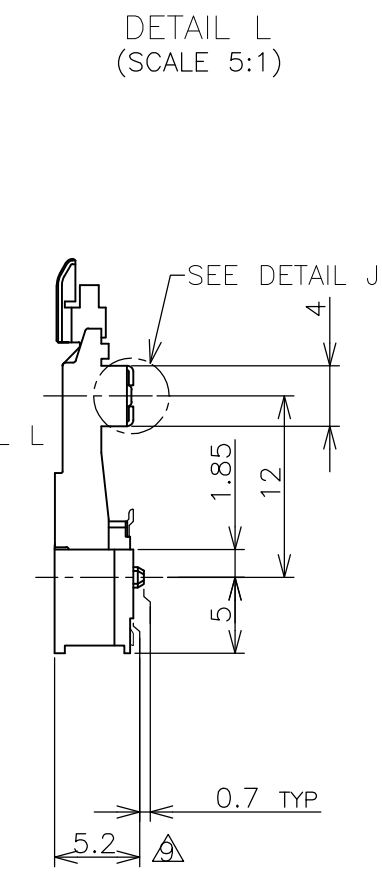
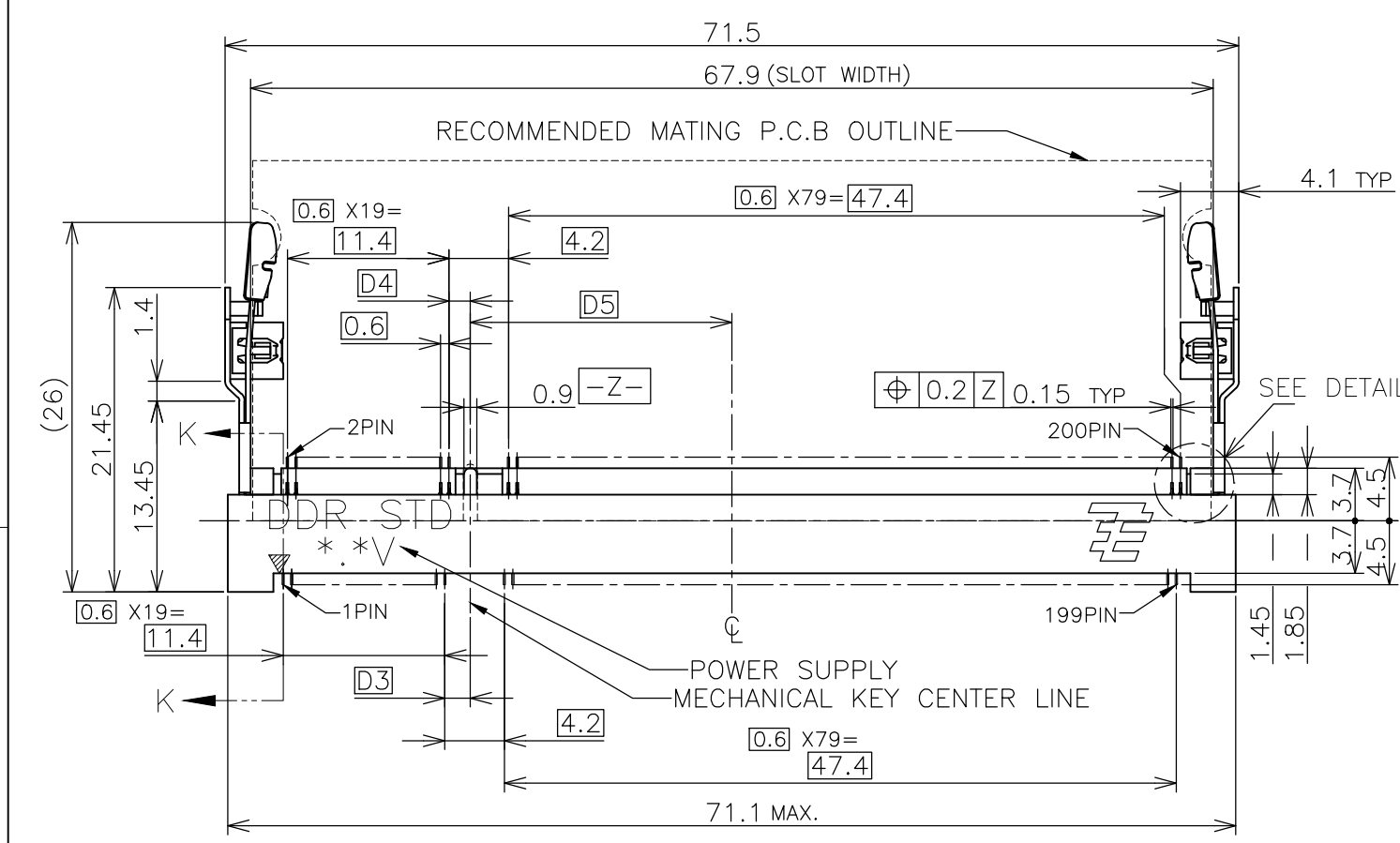
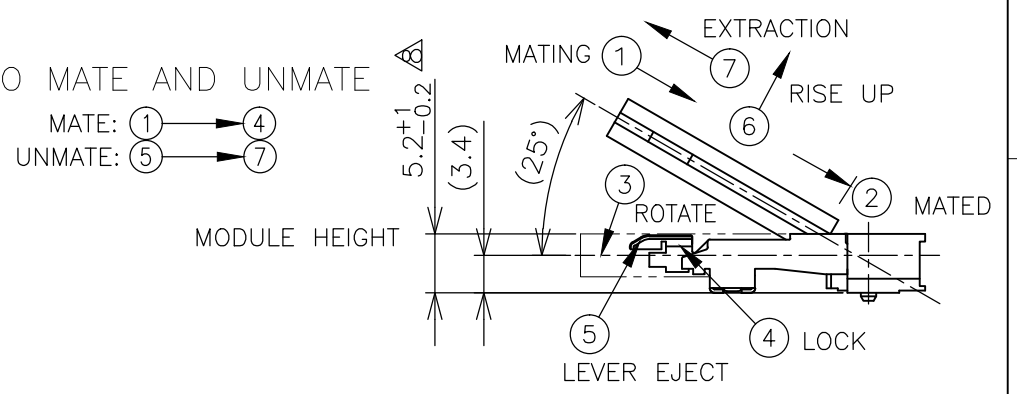
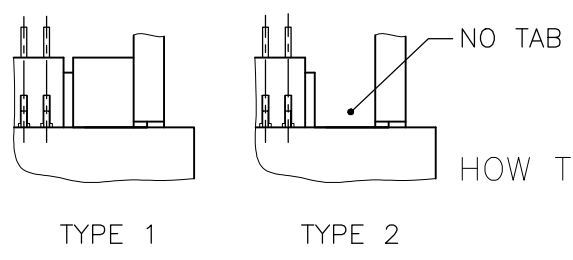
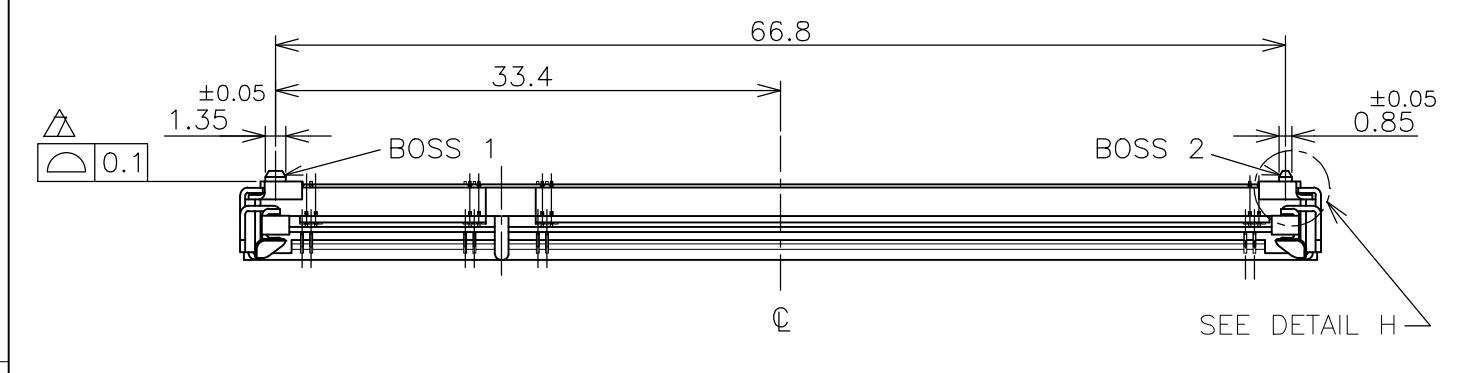
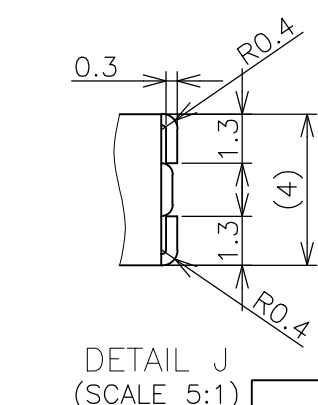
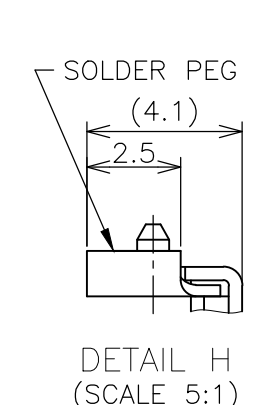
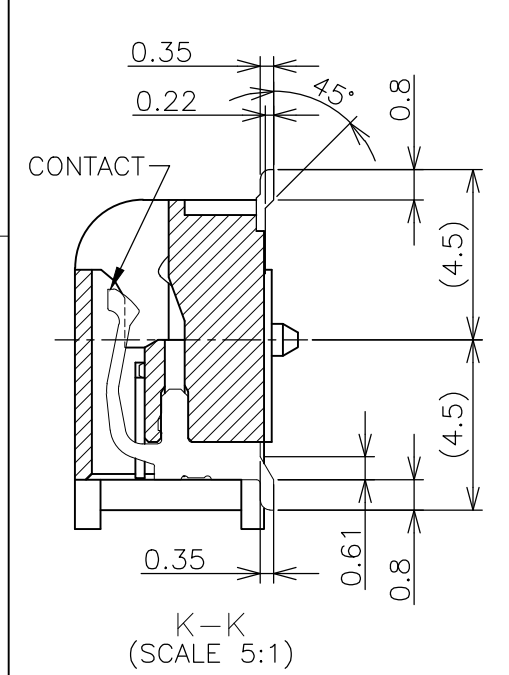


THIS DRAWING IS UNPUBLISHED. RELEASED FOR PUBLICATION NOV. 2001.  
 © COPYRIGHT 2001 By - ALL RIGHTS RESERVED.

LOC	DIST	REVISIONS			
P	LTR	DESCRIPTION	DATE	DWN	APVD
J					
	J3	REVISED PER ECR-16-002212	15FEB16	S.Z	S.L



- (APPLIED TO SHEET 1-2)
- MATERIAL ; HOUSING: HIGH TEMPERATURE THERMO PLASTIC UL94V-0  
CONTACT: COPPER ARROY  
LOCK LEVER: STAINLESS STEEL  
SOLDER PEG: COPPER ARROY
  - FINISH ; CONTACT AREA: GOLD FLASH ON 0.0013MIN ALL OVER NICKEL.  
SOLDERING AREA: GOLD FLASH PLT.  
SOLDER PEG: TIN PLATING.
  - MECHANICAL KEY POSITION OF CONNECTOR SEE TABLE.
  - TOLERANCES NON-CUMULATIVE.
  - NOT TO SCALE.
  - INSIDE MUST BE RESIST COAT EXCEPT SOLDER PATTERN.
  - COPLANARITY : 0.1 MAX.
  - THE FLOATING VALUE BY SOLDERING IS NOT INCLUDED.
  - NOT MATING CONDITION.
  - FINISH ; CONTACT AREA: 0.00076 GOLD ON 0.0013MIN ALL OVER NICKEL.  
SOLDERING AREA: 0.00076 GOLD PLT.  
SOLDER PEG: TIN PLATING.
- 11 IF THE MODULE DOESN'T INSERT AND LOCK IN THE LATCH SMOOTHLY, OPEN WIDE BOTH LATCHES BY MANUAL. AND THE MODULE MUST BE INSERTED AND LOCKED IN THE LATCH.



GENERAL TOLERANCE  
 10 ≥ : ±0.2  
 30 ≥ > 10 : ±0.25  
 100 ≥ > 30 : ±0.3  
 ANGLES : ±3°

TYPE	FINISH	TOOLING STATUS	REMARK	POWER SUPPLY (TYPE)	D5	D4	D3	POS	PART NO.
TYPE 1	△	AVAILABLE	—H—	2.5V (DDR1)	18.45	1.5	1.8	200	1473005-5
TYPE 2	△	AVAILABLE	BOSSLSS	1.8V (DDR2)	17.55	2.4	2.7	200	1-1473005-4
TYPE 2	△	AVAILABLE	—H—	1.8V (DDR2)	17.55	2.4	2.7	200	1473005-4
TYPE 1	△	AVAILABLE	HOUSING COLOR:GRAY BOSSLSS	2.5V (DDR1)	18.45	1.5	1.8	200	6-1473005-1
TYPE 1	△	AVAILABLE	BOSSLSS	2.5V (DDR1)	18.45	1.5	1.8	200	1-1473005-1
TYPE 1	△	AVAILABLE	—H—	2.5V (DDR1)	18.45	1.5	1.8	200	1473005-1

THIS DRAWING IS A CONTROLLED DOCUMENT.

DWN	B.WONG	15JUL10
CHK	C.WANG	15JUL10
APVD	S.YAO	15JUL10

**STE** TE Connectivity

DDR1 & DDR2 SODIMM SOCKET  
 0.6mm PITCH 200POS  
 STANDARD PROFILE STANDARD TYPE

PRODUCT SPEC	108-5701
APPLICATION SPEC	
WEIGHT	4.7g

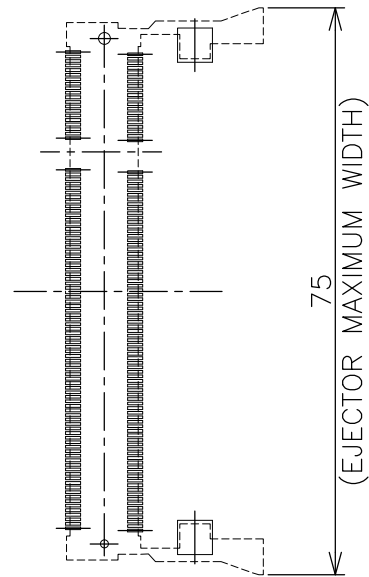
SIZE: A3 CAGE CODE: 00779 DRAWING NO: C-1473005 RESTRICTED TO: -

CUSTOMER DRAWING SCALE: 2:1 SHEET: 1 OF 4 REV: J3

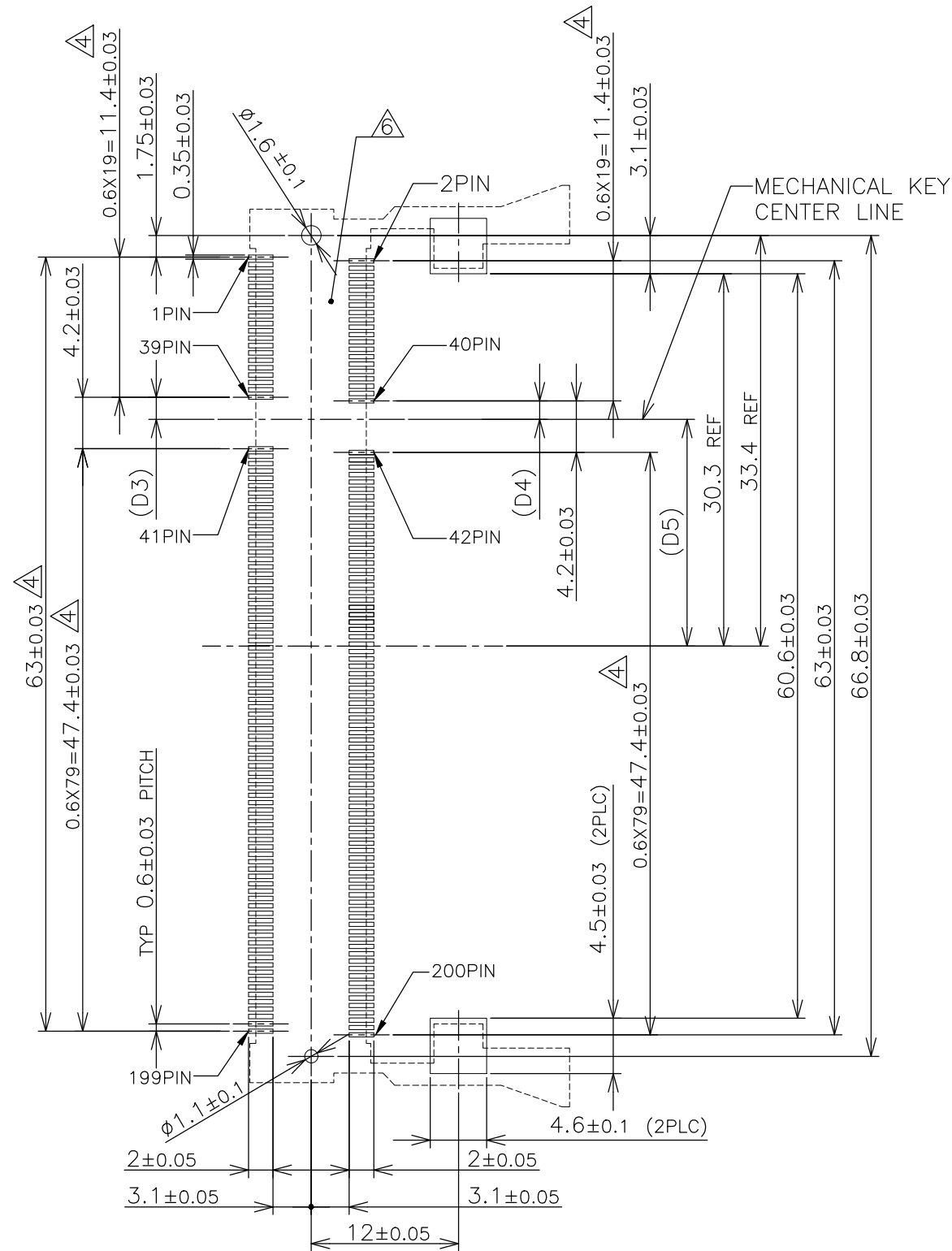
LOC	DIST
J	

REVISIONS					
P	LTR	DESCRIPTION	DATE	DWN	APVD
-	-	SEE SHEET 1	-	-	-

REFERENCE P.C. BOARD PATTERN LAYOUT  
(CONNECTOR MOUNTING SIDE)



REAL SIZE (SCALE 1:1)

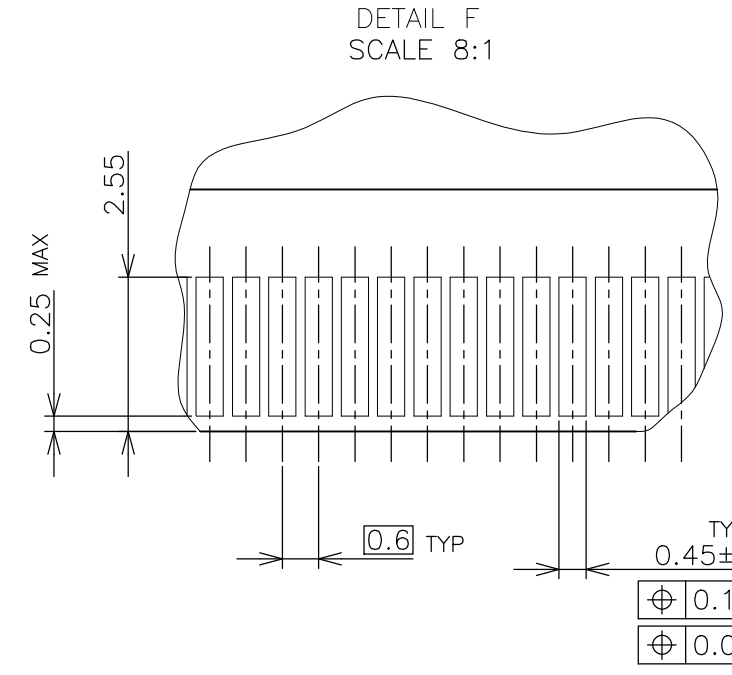
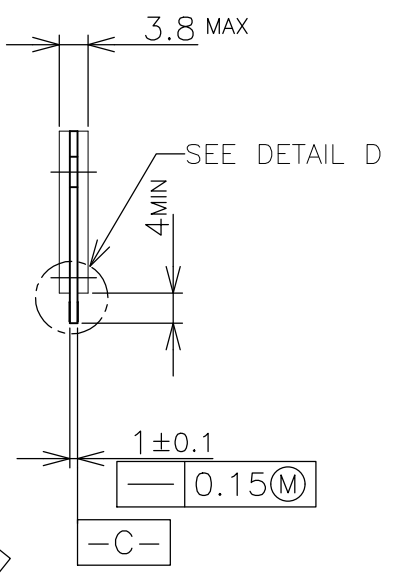
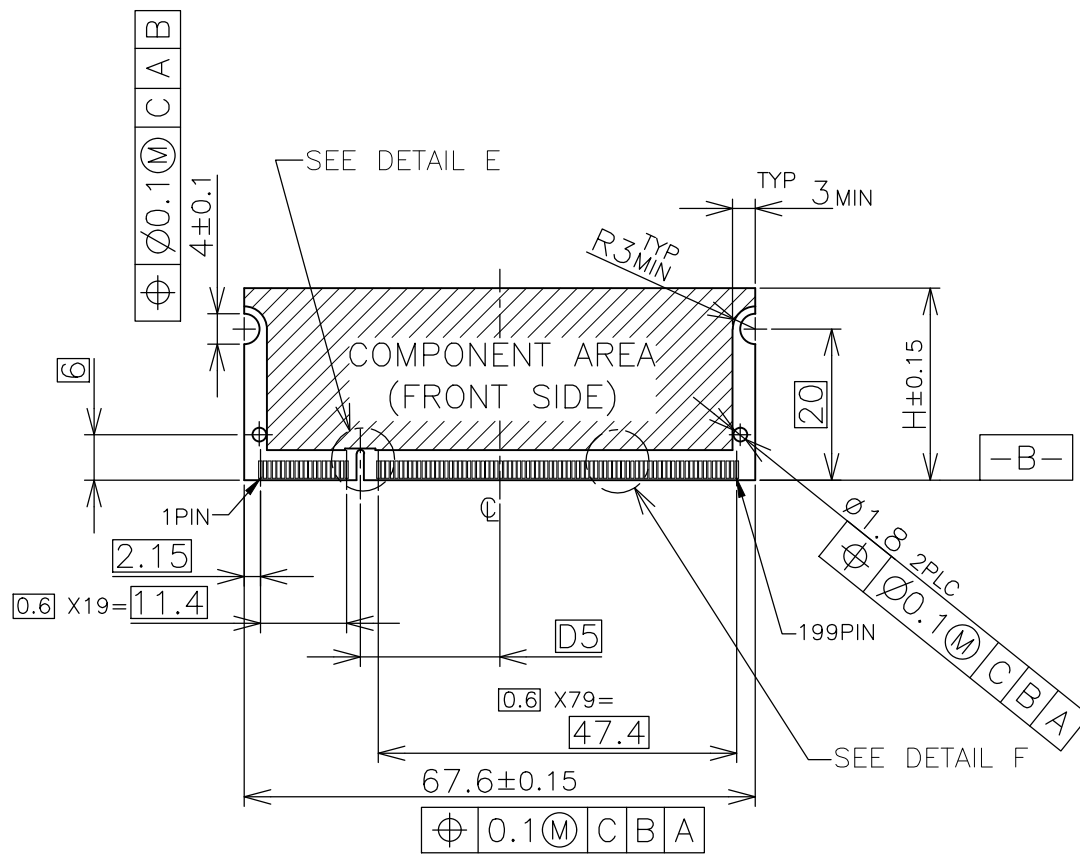


1.8V	17.55	2.4	2.7
2.5V	18.45	1.5	1.8
POWER SUPPLY	D5	D4	D3

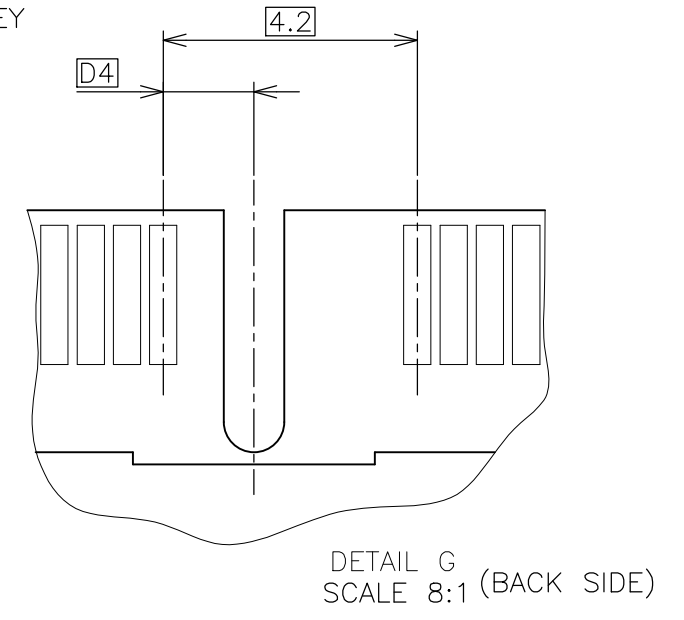
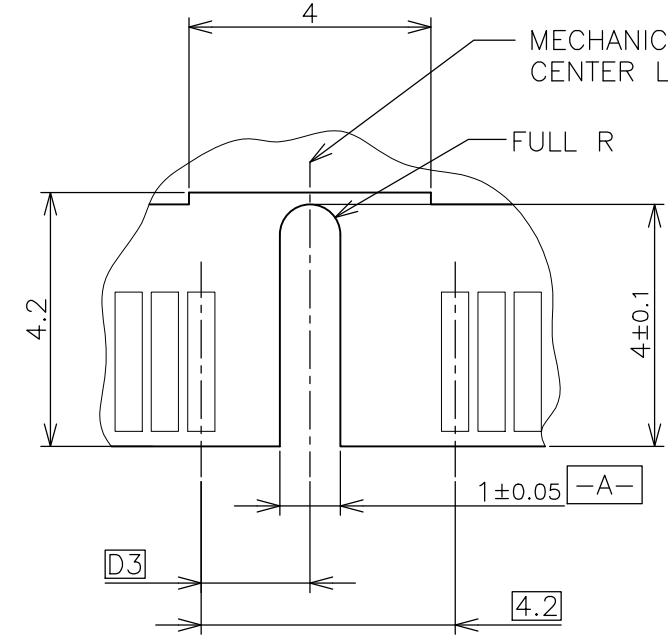
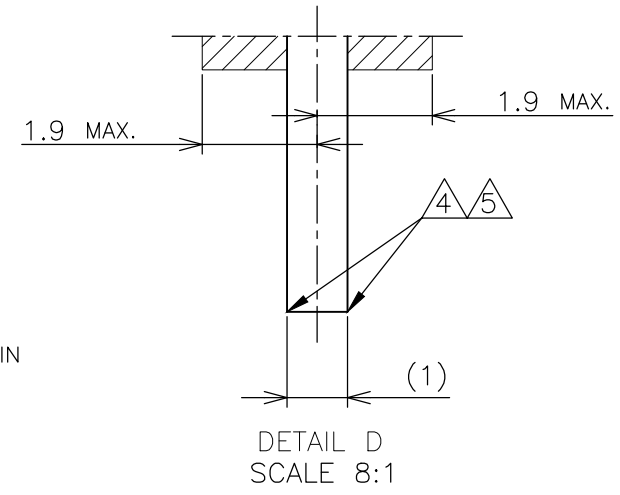
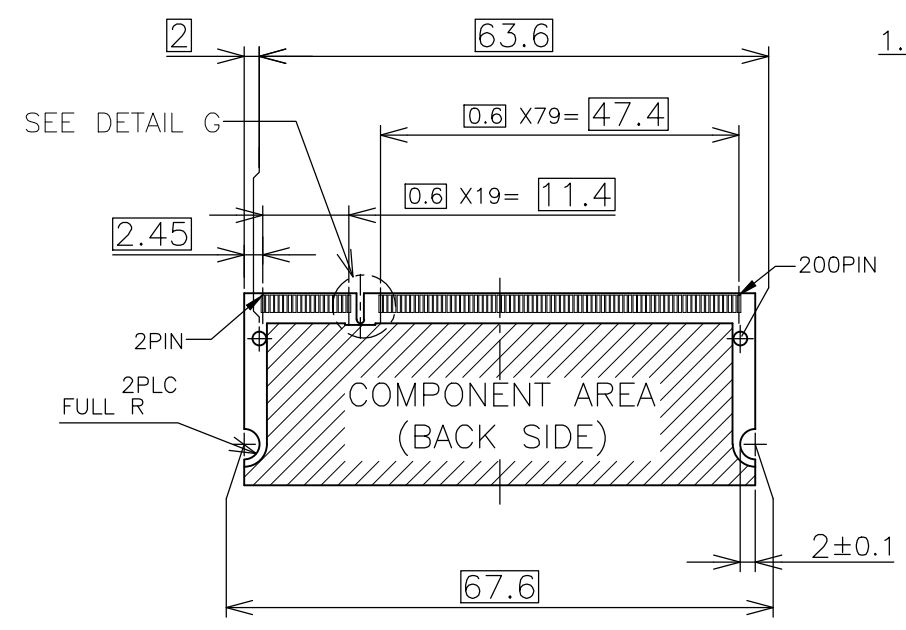
THIS DRAWING IS A CONTROLLED DOCUMENT.		DWN	TE Connectivity NAME DDR1 & DDR2 SODIMM SOCKET 0.6mm PITCH 200POS STANDARD PROFILE STANDARD TYPE					
DIMENSIONS: MM		CHK				SIZE	CAGE CODE	DRAWING NO
		APVD				A3	00779	C-1473005
TOLERANCES UNLESS OTHERWISE SPECIFIED:		PRODUCT SPEC				RESTRICTED TO		
0 PLC ± 1 PLC ± 2 PLC ± 3 PLC ± 4 PLC ± ANGLES ± MATERIAL FINISH ±		APPLICATION SPEC	SCALE 2:1 SHEET 2 OF 4 REV J3					
		WEIGHT	CUSTOMER DRAWING					

THIS DRAWING IS UNPUBLISHED. RELEASED FOR PUBLICATION NOV ,2001.  
 © COPYRIGHT 2001 By - ALL RIGHTS RESERVED.

LOC	DIST	REVISIONS			
P	LTR	DESCRIPTION	DATE	DWN	APVD
J		SEE SHEET 1	-	-	-



- (APPLIED TO SHEET 3)
- TOLERANCES ON ALL DIMENSIONS ±0.15 UNLESS OTHERWISE SPECIFIED.
  - P.C. BOARD THICKNESS APPLIES ACROSS TABS AND INCLUDES PLATING AND/OR METALIZATION.
  - FINISH OF PAD : GOLD PLATING 0.00076 MIN. OVER Ni PLATING 0.002MIN.
- NO BURR  
 CHAMFER 0.25 MAX x 45° IF EXIST.



RECOMMENDED MATING P.C.B CONFIGURATION

THIS DRAWING IS A CONTROLLED DOCUMENT.		DWN
DIMENSIONS: MM		CHK
TOLERANCES UNLESS OTHERWISE SPECIFIED:		APVD
0 PLC ±		PRODUCT SPEC
1 PLC ±		APPLICATION SPEC
2 PLC ±		WEIGHT
3 PLC ±		CUSTOMER DRAWING
4 PLC ±		
ANGLES ±		
FINISH ±		

31.75	1.8V	17.55	2.4	2.7
25.4	2.5V	18.45	1.5	1.8
H	POWER SUPPLY	D5	D4	D3

**STE** TE Connectivity

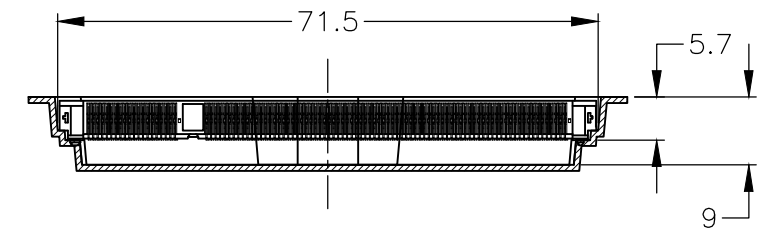
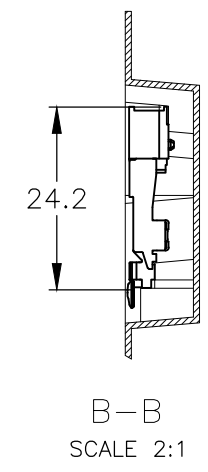
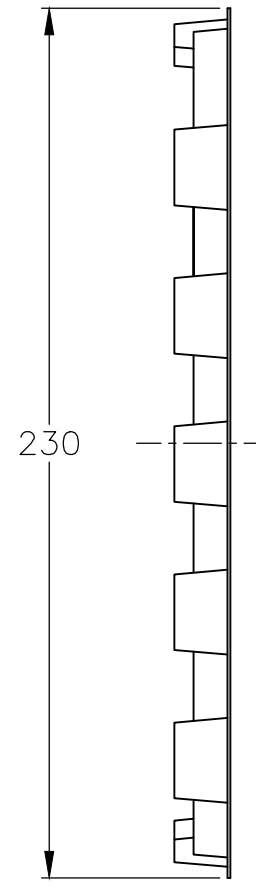
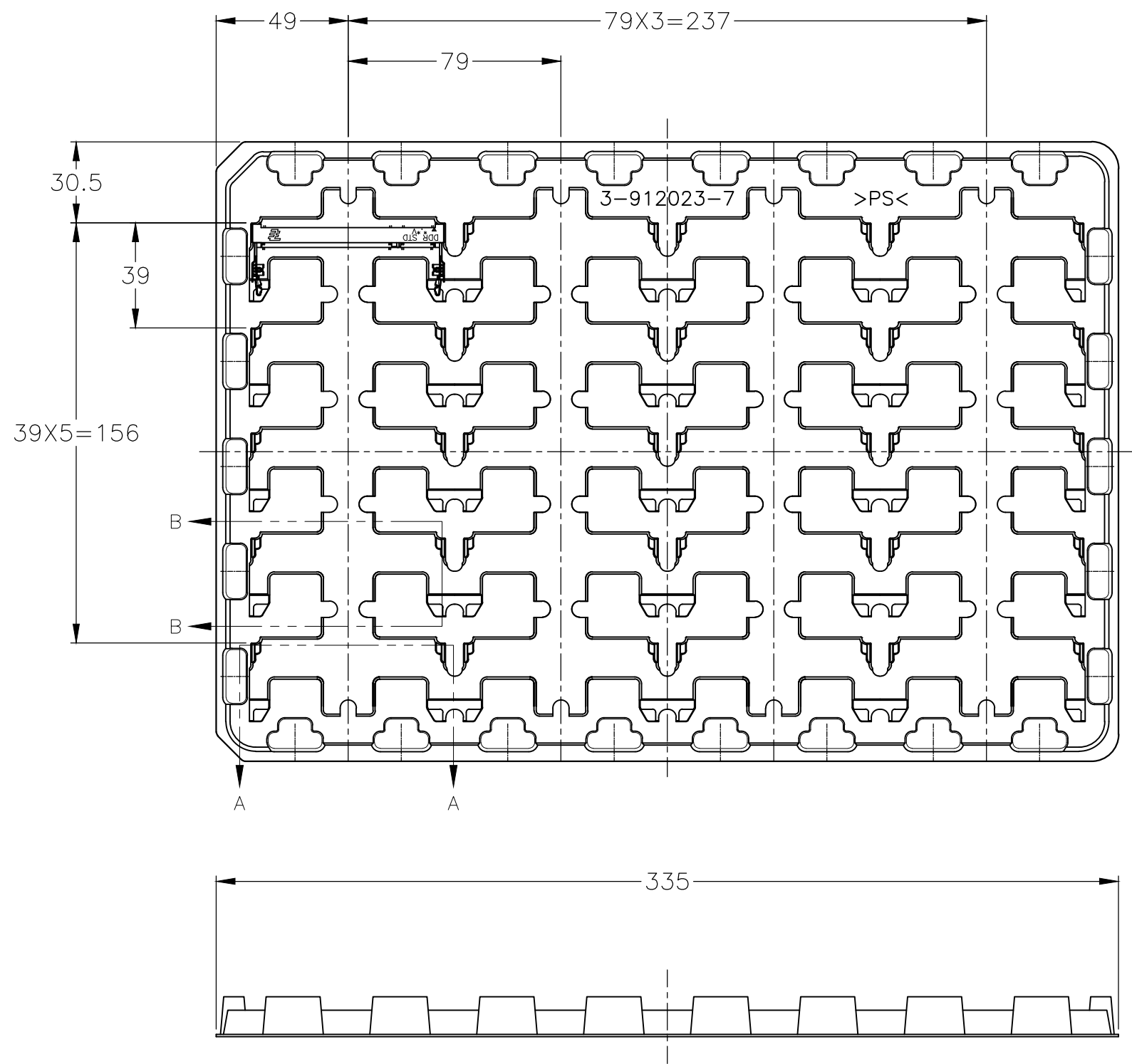
NAME: DDR1 & DDR2 SODIMM SOCKET  
 0.6mm PITCH 200POS  
 STANDARD PROFILE STANDARD TYPE

SIZE	CAGE CODE	DRAWING NO	RESTRICTED TO
A3	00779	C-1473005	-

SCALE: 2:1 SHEET: 3 OF 4 REV: J3

THIS DRAWING IS UNPUBLISHED. RELEASED FOR PUBLICATION NOV , 2001.  
 © COPYRIGHT 2001 By - ALL RIGHTS RESERVED.

LOC	DIST	REVISIONS			
P	LTR	DESCRIPTION	DATE	DWN	APVD
J		SEE SHEET 1	-	-	-



2.5V (DDR1)	20EA/TRAY	1473005-5
1.8V (DDR2)	20EA/TRAY	1-1473005-4
1.8V (DDR2)	20EA/TRAY	1473005-4
2.5V (DDR1)	20EA/TRAY	6-1473005-1
2.5V (DDR1)	20EA/TRAY	1-1473005-1
2.5V (DDR1)	20EA/TRAY	1473005-1
POWER SUPPLY (TYPE)	QTY	P/N

(APPLIED TO SHEET 4)  
 1. THE DIRECTION OF EACH CONNECTOR ON A TRAY IS REFERRED TO THIS DRAWING.  
 2. GENERAL TOLERANCE: ±0.5

THIS DRAWING IS A CONTROLLED DOCUMENT.		DWN		<b>STE</b> TE Connectivity	
DIMENSIONS: MM		CHK			
TOLERANCES UNLESS OTHERWISE SPECIFIED:		APVD		NAME	
0 PLC ±		PRODUCT SPEC		DDR1 & DDR2 SODIMM SOCKET	
1 PLC ±		APPLICATION SPEC		0.6mm PITCH 200POS	
2 PLC ±		WEIGHT		STANDARD PROFILE STANDARD TYPE	
3 PLC ±		SIZE		DRAWING NO	
4 PLC ±		CAGE CODE		RESTRICTED TO	
ANGLES ±		A300779		C-1473005	
FINISH		CUSTOMER DRAWING		SCALE 1:2	
		SHEET 4 OF 4		REV J3	