



Features:

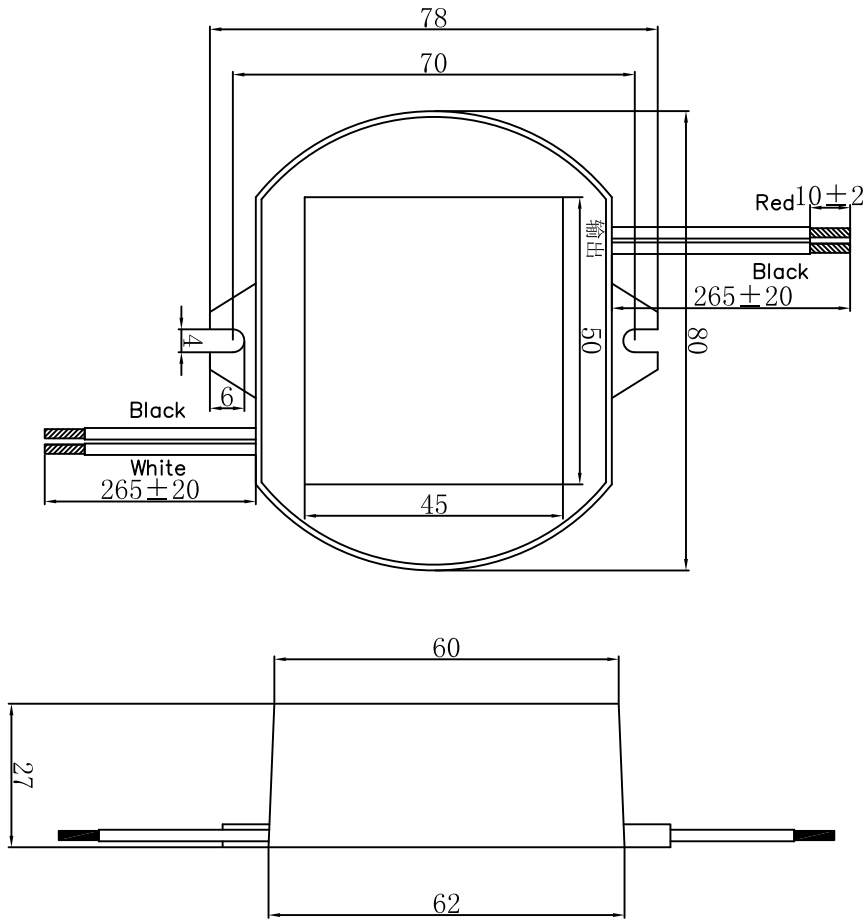
- Constant Voltage Design
- Universal AC input/ Full Range
- Built-in Active PFC function, PF 0.95 Typical
- High Efficiency (Up to 84%)
- Output Protections: OLP/OVP/SCP/OTP
- Lightning Protection
- Class 2 Power Unit (See Note)
- Waterproof (IP65)
- 3 Year Warranty



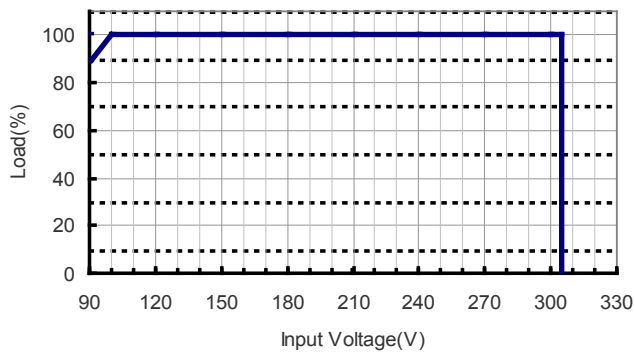
Model	PLV-025S012	PLV-025S018	PLV-025S024	PLV-025S036	PLV-025S048
Output Characteristics					
DC Output	12V	18V	24V	36V	48V
Rated Current <small>See Note</small>	2.08A (3)	1.40A (3)	1.05A (3)	0.70A (3)	0.52A (2)
Current Range	0~2.08A	0~1.40A	0~1.05A	0~0.70A	0~0.52A
Ripple and Noise (max) <small>Note 1</small>	±10% Vo				
Voltage Accuracy	±5% Vo				
Line Regulation	±1% Vo				
Load Regulation	±5% Vo				
Rise Time	50mS Max @ Rated Load				
Hold-up Time (Typ.)	10mS Min (110VAC input, full load), 20mS Min (220VAC input, full load)				
Input Characteristics					
Voltage Range	90VAC~305VAC				
Frequency Range	47Hz-63Hz				
Power Factor (Typical)	110VAC	>0.95	>0.95	>0.95	>0.95
	220VAC	>0.90	>0.90	>0.90	>0.90
Efficiency (Typical)	80%	80%	81%	83%	84%
AC Current (max)	0.35A @ 100-277VAC Input Full Load				
Inrush Current (max)	65A @ 230VAC, 25°C				
Leakage Current	0.50mA max @ 277VAC				
Protection					
Over Temperature (OTP)	110°C (Temperature of internal components); shut down, auto recover after the temperature decreases				
Over Voltage (OVP) <small>Note 2</small>	1.2~1.7Vo				
Short Circuit (SCP)	Long-term mode, auto recovery				
Environmental Characteristics					
Operating Temperature	-35°C~50°C				
Operating Relative Humidity	5% RH to 95% RH				
Storage Temperature	-40°C~85°C, 5% to 100% RH non-condensing				
Vibration	10 to 300Hz sweep at constant acceleration of 1.0G(Breadth: 3.5mm) for 1 Hour for each of the perpendicular axes X, Y, Z				
Waterproof Rating	IP65				
Safety Standards	UL8750, Compliance to UL1012 UL935, IEC61347				
Withstand Voltage	L/N-GND: 4kV, L-N: 2kV				
Isolation Resistance	I/P-O/P: >100M Ohms / 500VDC / 25°C / 70% RH				
EMC Emission	Compliance to EN55022(CISPR22) Class B, EN61000-3-2 Class A, EN61000-3-3				
EMC Immunity	Compliance to EN61000-3-2, 3 EN61000-4-2, 3, 4, 5, 6, 8, 11, EN61547				
Characteristics					
Life Time	More than 78,000Hrs (25°C, 80% Load)				
MTBF (MIL-HDBK-217F)	More than 490,000Hrs (25°C, 80% Load)				
Dimension (LxWxH)	80x78x27mm				
Note	1. Ripple & Noise: Measured by 20 MHz bandwidth oscilloscope and the output paralleled with a 0.1 uF ceramic capacitor and a 10 uF electrolytic capacitor. 2. Latch Mode: The power supply shall return to normal operation only after the power is turned on again (1) Non-Class 2 output (USR & CNR) (2) Class 2 output (USR); Non-Class 2 output (CNR) (3) Class 2 output (USR & CNR)				

MECHANICAL SPECIFICATIONS

UNIT: mm



Derating Curve



Ambient Temperature vs. Load

