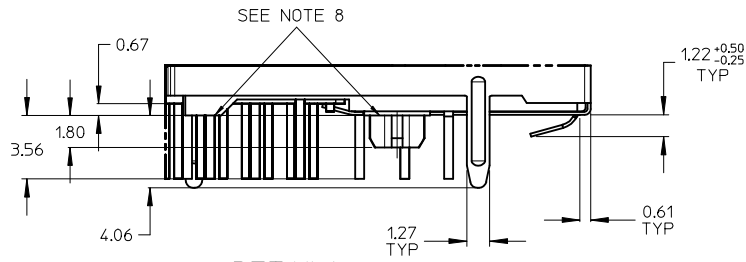
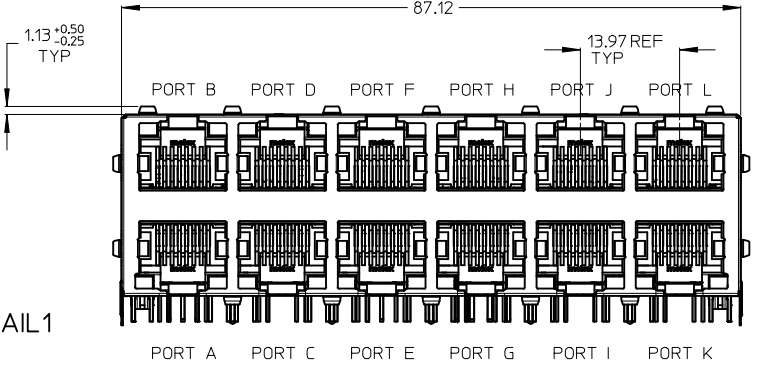
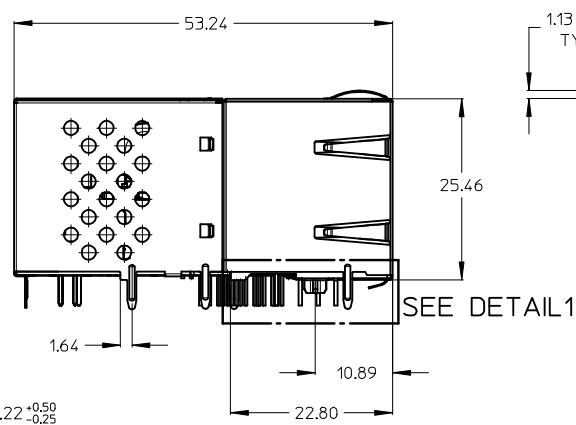
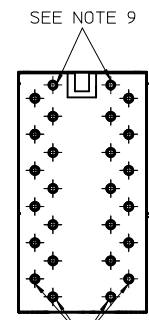


ALL IN ONE POWER SOURCING EQUIPMENT SOLUTION ACCORDING
 IEEE Std802.3-2012 WITH INTEGRATED POWER OVER ETHERNET PLUS CONTROL
 CIRCUITRY, I2C BUS CONTROL INTERFACE, GIGABIT ETHERNET
 TRANSFORMERS AND BICOLOR LED'S. AUTONOMOUS POE PLUS PSE
 OPERATION OR COMPREHENSIVE PORT CONTROL WITH EXTERNAL
 POWER MANAGEMENT.

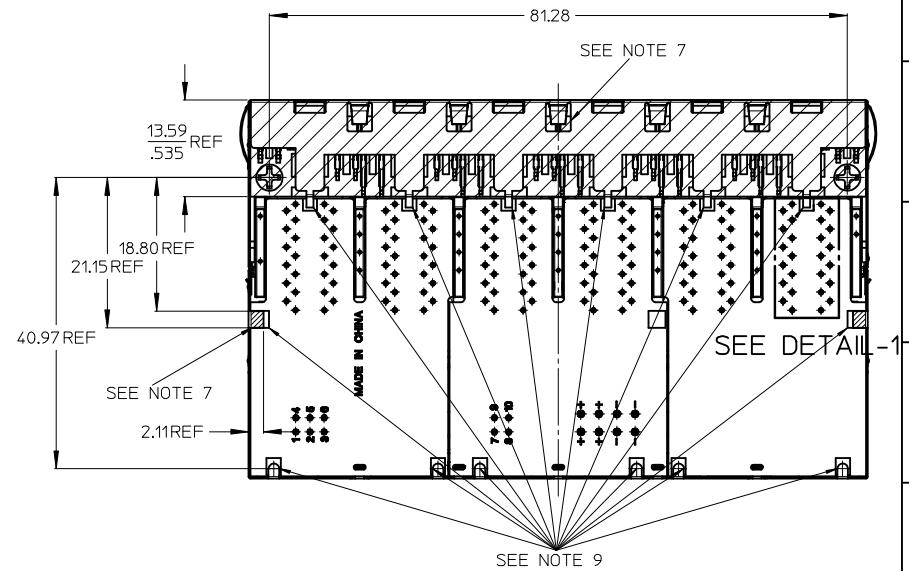


DETAIL 1
 SCALE 5:1

BOM		
P/N	VERSION	CONTROLLER
85717-1001	MICROSEMI STANDARD	PD69104
85717-2001	MICROSEMI PoETeC	PD69104B
85718-1001	LTC CIRCUITRY	LTC4270



DETAIL-1
 SCALE 4:1



- NOTES:
- 1 - SHIELD MATERIAL: BRASS; PLATING: NICKEL PRE-PLATING
 - 2 - PLASTIC MATERIAL: POLYESTER (PBT) BLACK, 30%GR, UL 94V-0
 - 3 - TERMINALS MATERIAL: COPPER ALLOY
 CONTACT SURFACE FINISH: GOLD OR GOLD FLASH OVER PALLADIUM NICKEL
 EXCEEDS PRODUCT REQUIREMENTS BASED ON PRODUCT SPECIFICATION PS-85717-001
 - 4 - MATING INTERFACE ACCORDING TO IEC 60603-7
 - 5 - PRODUCT SPECIFICATION: RPS-85717-001
 - 6 - PACKAGING SPECIFICATION: PK-85719-101
 - 7 - TRACES WITHOUT INSULATION NOT ALLOWED IN THE DASHED AREAS.
 (TO AVOID SHORTS TO SHIELD)
 - 8 - STAND OFF TO SYSTEM BOARD / PIN LENGTH MEASURED FROM HOUSING STAND OFF ONLY
 - 9 - STUB PINS AND SHIELD LATCHES; AVOID TO ROUTE TRACES OR TO PLACE ANY
 VIAS OR PADS BELOW THESE PINS
 - 10 - FOR MAGNETIC, PIN LAYOUT AND LED INFORMATIN SEE SPEC PS-85717-001

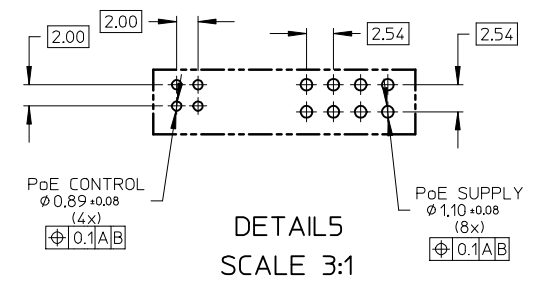
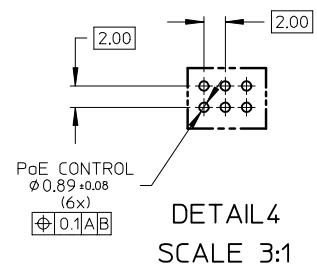
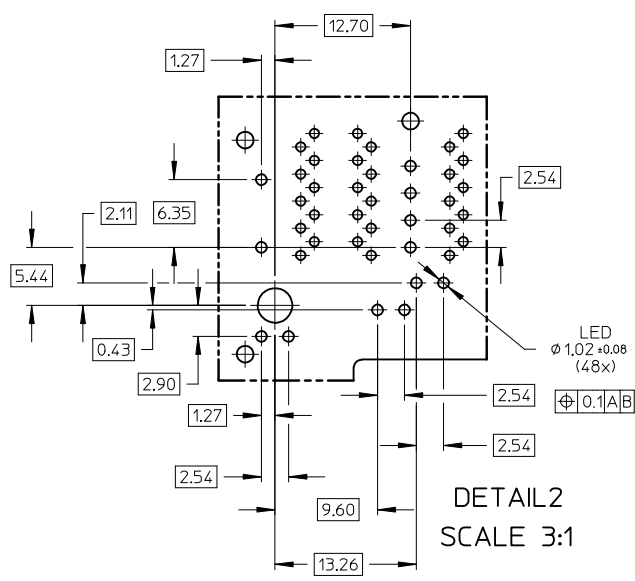
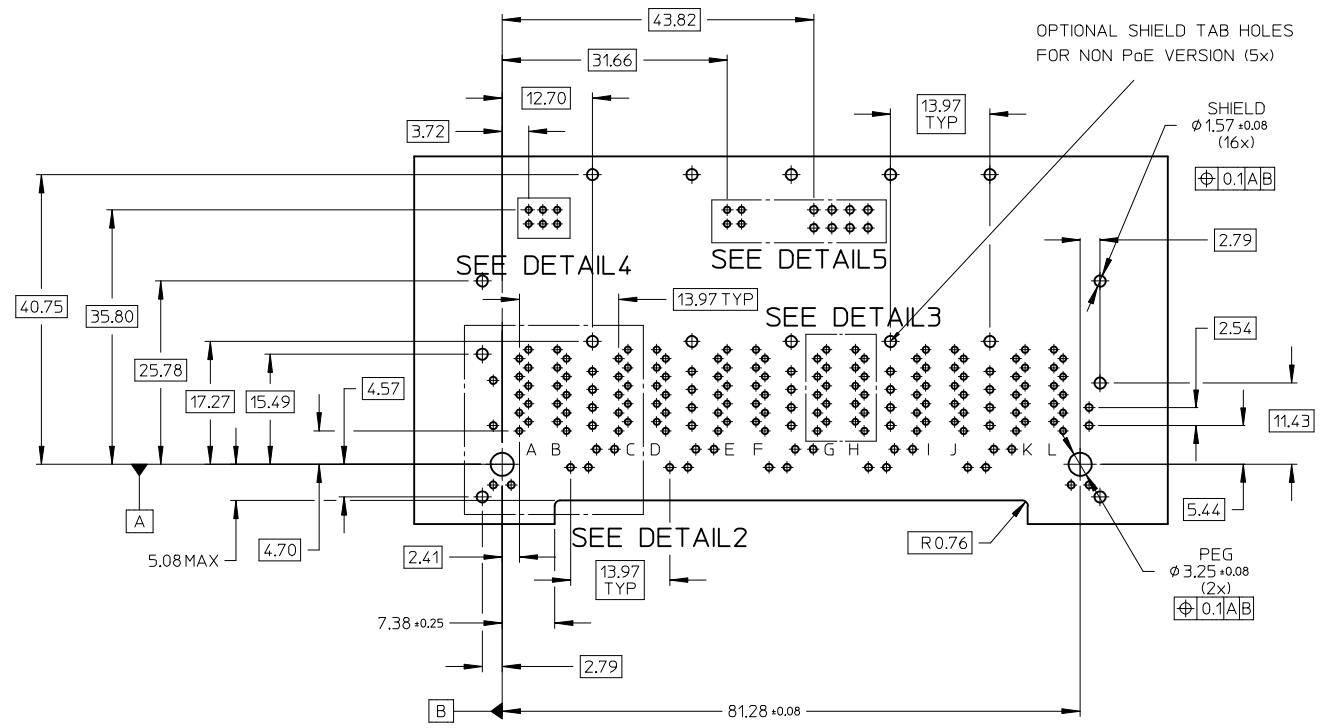
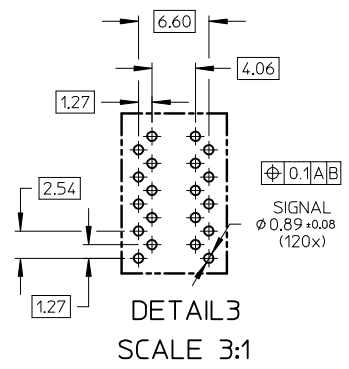
NEW P/N ADDED EC NO: 2014/05/22 DRWN: JBADER 2014/05/22 CHKD: MMANGARUDOV 2014/05/22 APPR: SSTEINKE 2015/11/26	QUALITY SYMBOLS ▽=0 ▽=0	GENERAL TOLERANCES (UNLESS SPECIFIED) <table border="1"> <tr> <th></th> <th>mm</th> <th>INCH</th> </tr> <tr> <td>4 PLACES</td> <td>± ---</td> <td>± ---</td> </tr> <tr> <td>3 PLACES</td> <td>± ---</td> <td>± ---</td> </tr> <tr> <td>2 PLACES</td> <td>± 0.25</td> <td>± ---</td> </tr> <tr> <td>1 PLACE</td> <td>± 0.5</td> <td>± ---</td> </tr> </table> ANGULAR ± .5 °		mm	INCH	4 PLACES	± ---	± ---	3 PLACES	± ---	± ---	2 PLACES	± 0.25	± ---	1 PLACE	± 0.5	± ---	DIMENSION STYLE MM ONLY	SCALE 2:1	DESIGN UNITS METRIC	THIRD ANGLE PROJECTION
		mm	INCH																		
	4 PLACES	± ---	± ---																		
	3 PLACES	± ---	± ---																		
2 PLACES	± 0.25	± ---																			
1 PLACE	± 0.5	± ---																			
DRAWN BY: JBADER CHECKED BY: MMANGARUDOV APPROVED BY: SSTEINKE	DATE: 2011/03/03 DATE: 2011/06/01 DATE: 2012/06/20	TITLE GIGABIT MAGNETIC JACK INTEGRATED PSE POE PLUS 2X6 LED	MATERIAL NO. SEE BOM	DOCUMENT NO. SD-85717-101	SHEET NO. 1 OF 3																
DRAFT WHERE APPLICABLE MUST REMAIN WITHIN DIMENSIONS		THIS DRAWING CONTAINS INFORMATION THAT IS PROPRIETARY TO MOLEX INCORPORATED AND SHOULD NOT BE USED WITHOUT WRITTEN PERMISSION																			
MOLEX INCORPORATED																					

FOOT PRINT OUT FOR LED VERSION

OPTIONAL SHIELD TAB HOLES FOR NON PoE VERSION (5x)

SHIELD $\phi 1.57 \pm 0.08$ (16x)

PEG $\phi 3.25 \pm 0.08$ (2x)

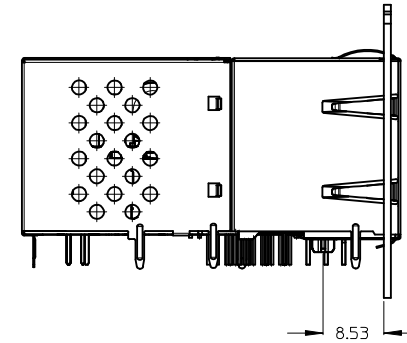
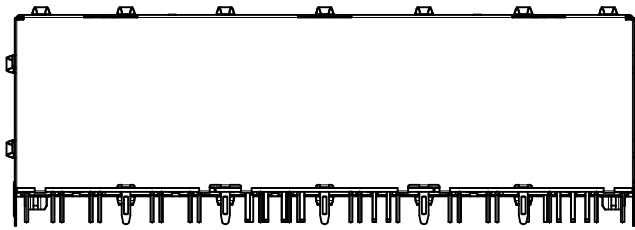
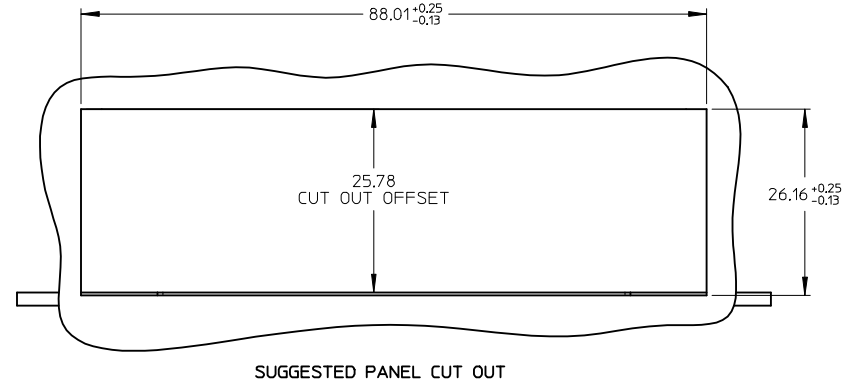
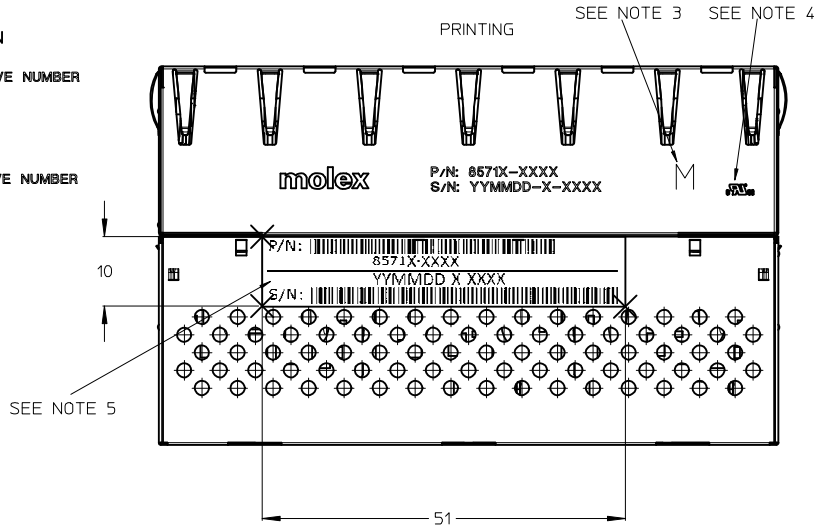


INCH DIM DELETED EC NO: D DRWN: JBADER CHKD: MMANGARUDOV APPR: SSTEINKE 2014/05/22 2014/05/22 2015/11/26	DESCRIPTION GIGABIT MAGNETIC JACK INTEGRATED PSE POE PLUS 2X6 LED	QUALITY SYMBOLS		GENERAL TOLERANCES (UNLESS SPECIFIED)		DIMENSION STYLE		SCALE	DESIGN UNITS	THIRD ANGLE PROJECTION
		$\nabla=0$ $\nabla=0$		mm INCH 4 PLACES \pm --- \pm --- 3 PLACES \pm --- \pm --- 2 PLACES ± 0.25 \pm --- 1 PLACE ± 0.5 \pm --- ANGULAR $\pm .5^\circ$		MM ONLY DRAWN BY: JBADER DATE: 2011/03/03 CHECKED BY: MMANGARUDOV DATE: 2011/06/01 APPROVED BY: SSTEINKE DATE: 2012/06/20		2:1	METRIC	
		DRAFT WHERE APPLICABLE MUST REMAIN WITHIN DIMENSIONS		MATERIAL NO. SEE SHEET 1		MATERIAL NO. SD-85717-101		DOCUMENT NO.		SHEET NO. 2 OF 3
				SIZE A2		THIS DRAWING CONTAINS INFORMATION THAT IS PROPRIETARY TO MOLEX INCORPORATED AND SHOULD NOT BE USED WITHOUT WRITTEN PERMISSION				

PRINTING
 MICROSEMI CIRCUITRY VERSION
 P/N: 85717-1001
 S/N: YYMMDD-CM-CONSECUTIVE NUMBER

PRINTING
 MICROSEMI PoETeC VERSION
 P/N: 85717-2001
 S/N: YYMMDD-CM-CONSECUTIVE NUMBER

PRINTING
 LTC CIRCUITRY VERSION
 P/N: 85718-1001
 S/N: YYMMDD-CM-CONSECUTIVE NUMBER



NOTES:

- 1 - PRINTING MARKED BY LASER
- 2 - INSCRIPTION:
 1st LINE: PART NAME
 2nd LINE: DATE CODE (YEAR, MONTH, DAY) - MANUFACTURER ID - CONSECUTIVE NUMBER
- 3 - ONLY MICROSEMI VERSION MARKED BY A CAPITAL M
- 4 - OPTIONAL FOR UL CERTIFIED VERSIONS
- 5 - BARCODE LABEL INFORMATION
 BARCODE LABEL DETAILS: BRADY B-487
 RIBBON: R6000-INK COLOR BLACK

NEW P/N ADDED EC NO: D DRWN: JBADER CHKD: MMANGARUDOV APPR: SSTE INKE 2014/05/22 2014/05/22 2015/11/26	DESCRIPTION	QUALITY SYMBOLS ▽=0 ▽=0		GENERAL TOLERANCES (UNLESS SPECIFIED)		DIMENSION STYLE MM ONLY		SCALE 2:1	DESIGN UNITS METRIC	THIRD ANGLE PROJECTION																												
		<table border="1"> <thead> <tr> <th></th> <th>mm</th> <th>INCH</th> </tr> </thead> <tbody> <tr> <td>4 PLACES</td> <td>± ---</td> <td>± ---</td> </tr> <tr> <td>3 PLACES</td> <td>± ---</td> <td>± ---</td> </tr> <tr> <td>2 PLACES</td> <td>± 0.25</td> <td>± ---</td> </tr> <tr> <td>1 PLACE</td> <td>± 0.5</td> <td>± ---</td> </tr> </tbody> </table>			mm	INCH	4 PLACES	± ---	± ---	3 PLACES	± ---	± ---	2 PLACES	± 0.25	± ---	1 PLACE	± 0.5	± ---	<table border="1"> <thead> <tr> <th>DRAWN BY</th> <th>DATE</th> <th>TITLE</th> </tr> </thead> <tbody> <tr> <td>JBADER</td> <td>2011/03/03</td> <td rowspan="4"> GIGABIT MAGNETIC JACK INTEGRATED PSE POE PLUS 2X6 LED </td> </tr> <tr> <td>CHECKED BY</td> <td>DATE</td> </tr> <tr> <td>MMANGARUDOV</td> <td>2011/06/01</td> </tr> <tr> <td>APPROVED BY</td> <td>DATE</td> </tr> </tbody> </table>		DRAWN BY	DATE	TITLE	JBADER	2011/03/03	GIGABIT MAGNETIC JACK INTEGRATED PSE POE PLUS 2X6 LED	CHECKED BY	DATE	MMANGARUDOV	2011/06/01	APPROVED BY	DATE	<table border="1"> <tr> <td colspan="2"> MOLEX INCORPORATED </td> </tr> <tr> <td> MATERIAL NO. SEE SHEET 1 </td> <td> DOCUMENT NO. SD-85717-101 </td> </tr> </table>		MOLEX INCORPORATED		MATERIAL NO. SEE SHEET 1	DOCUMENT NO. SD-85717-101
			mm	INCH																																		
		4 PLACES	± ---	± ---																																		
3 PLACES	± ---	± ---																																				
2 PLACES	± 0.25	± ---																																				
1 PLACE	± 0.5	± ---																																				
DRAWN BY	DATE	TITLE																																				
JBADER	2011/03/03	GIGABIT MAGNETIC JACK INTEGRATED PSE POE PLUS 2X6 LED																																				
CHECKED BY	DATE																																					
MMANGARUDOV	2011/06/01																																					
APPROVED BY	DATE																																					
MOLEX INCORPORATED																																						
MATERIAL NO. SEE SHEET 1	DOCUMENT NO. SD-85717-101																																					
DRAFT WHERE APPLICABLE MUST REMAIN WITHIN DIMENSIONS		SIZE A2		THIS DRAWING CONTAINS INFORMATION THAT IS PROPRIETARY TO MOLEX INCORPORATED AND SHOULD NOT BE USED WITHOUT WRITTEN PERMISSION		SHEET NO. 3 OF 3																																