

6

5

4

3

2

1

Rev	AWO #	Description	Date	Appr
-		RELEASED	11/16/18	

APPROVED: _____

DATE: _____ TITLE: _____

CUSTOM CABLE ASSEMBLIES ARE NON-CANCELLABLE / NON-RETURNABLE

D

D

C

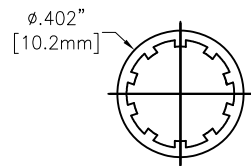
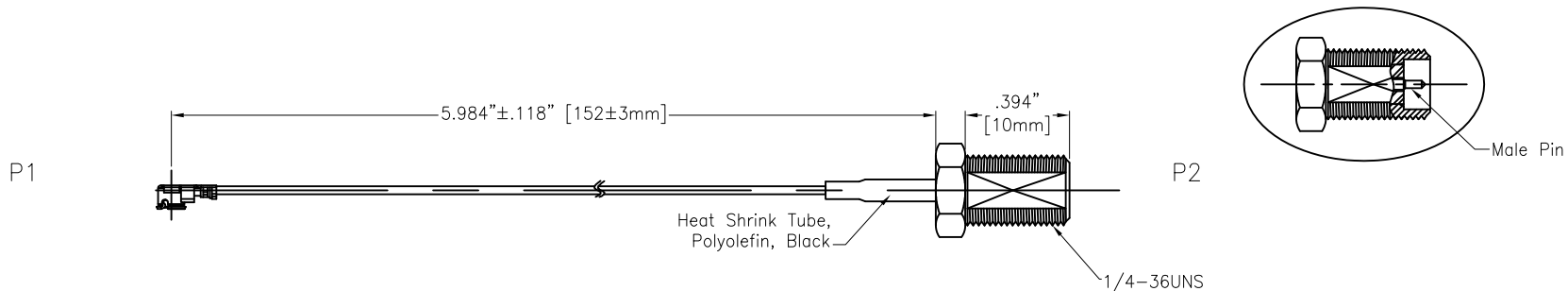
C

B

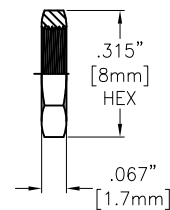
B

A

A



Washer:
Brass, Gold



Nut:
Brass, Gold



SPECIFICATIONS:

Connector:

P1= I-PEX Connector, Gold plated

P2= SMA Jack RP (Male Pin), Straight, Gold plated

Cable:

ø1.37mm Coaxial Cable, Color: Black

Electrical:

Impedance: 50 ohms

Frequency range: DC-6 GHz

Electrical Test:

All Assemblies must be 100% Tested for Shorts, Open, Continuity, and Physical Appearance.

Environmental:

Lead free, RoHS compliant



UNLESS OTHERWISE SPECIFIED ALL DIMENSIONS ARE INCHES [MM] TOLERANCES: EXCEPT AS NOTED		
INCHES HOLES		
.X ± .10	Ø.X ± .10	
.XX ± .020	Ø.XX ± .015	
.XXX ± .015	Ø.XXX ± .010	
APPROVALS		DATE
DRAWN	AY	11/16/18
CHECKED	AC	11/16/18
APPROVED		

ADAM TECH
INTERCONNECTS

909 Rahway Avenue,
Union, NJ 07083
Phone: 908-687-5000
Fax: 908-687-5710

TITLE CUSTOM CABLE ASSEMBLY, IPEX PLUG TO SMA S/T JACK (RP) WITH OD 1.37MM CABLE		
SIZE X	PART NO. CA#DKCA1-152L1-ALI0	REV. -
REF: S00291T	SCALE: NTS	SHEET 1 OF 1

6

5

4

3

2

1