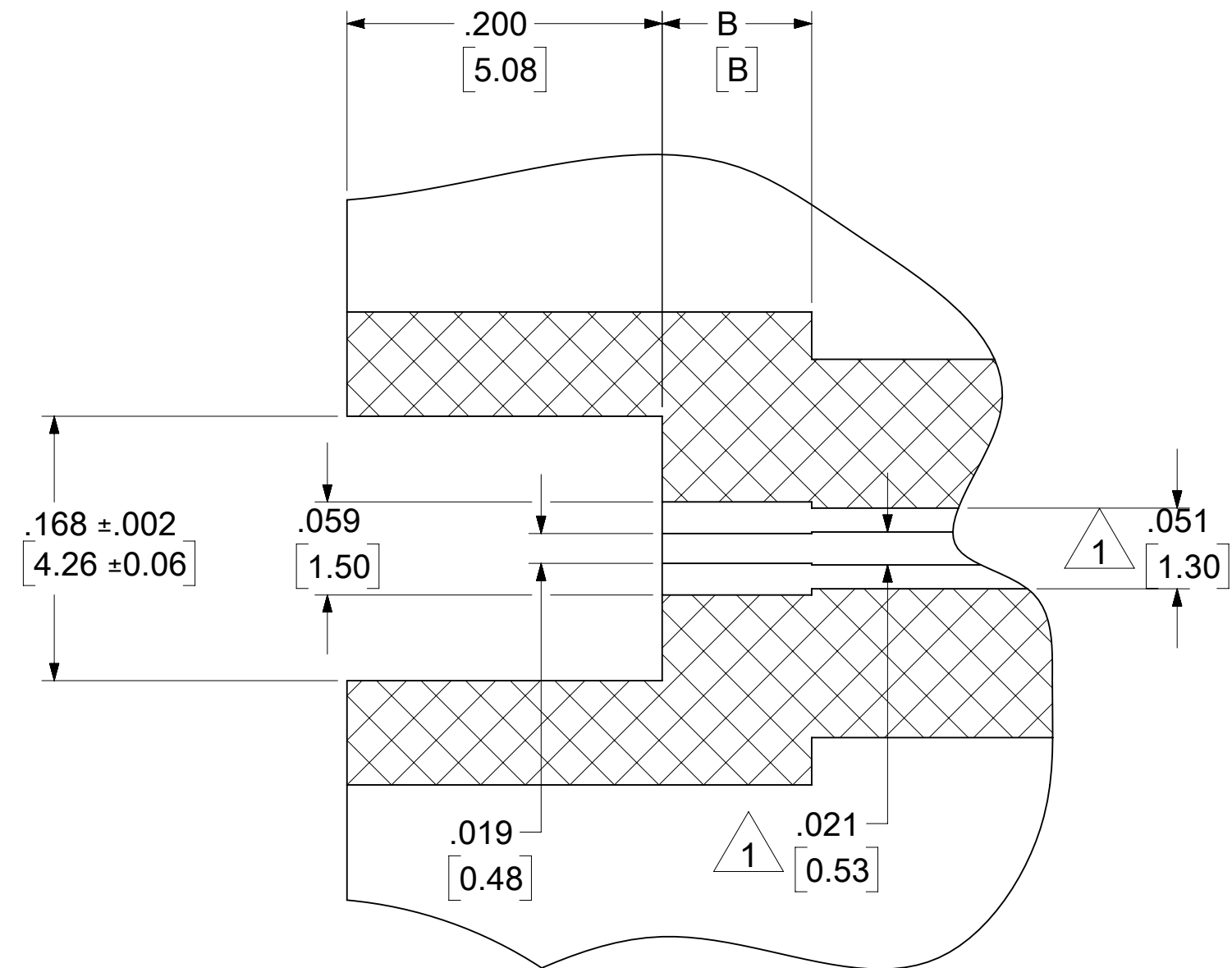
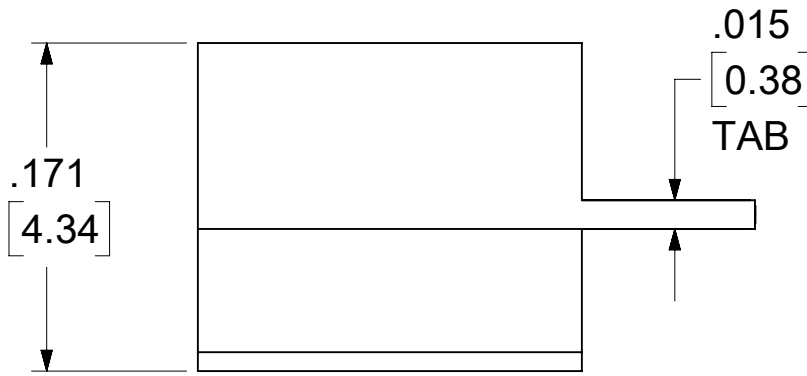
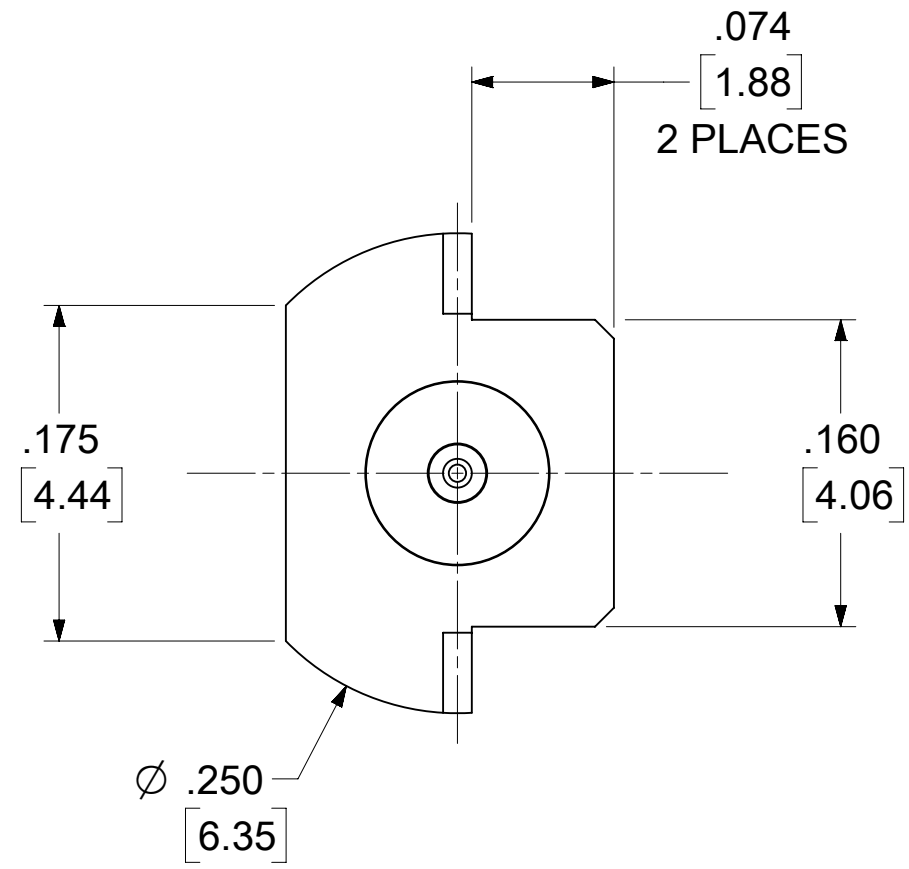
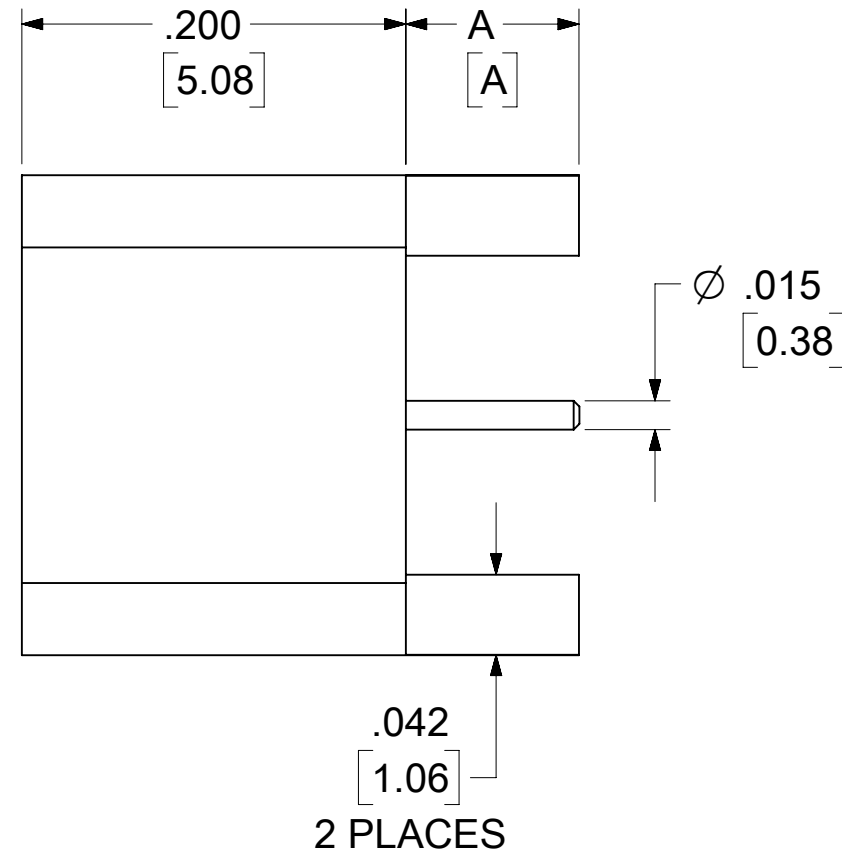
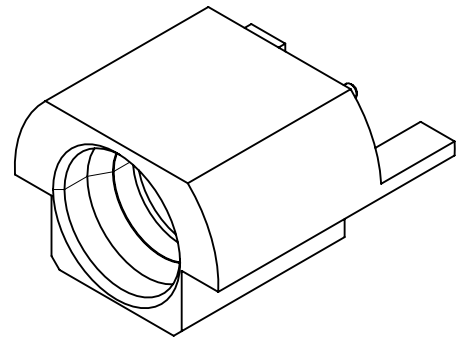


MATERIALS AND FINISHES:

BODY: BRASS
 PLATED GOLD
 SEE TABLE FOR THICKNESS

CENTER CONTACT: BRASS
 PLATED GOLD

INSULATOR: PTFE



RECOMMENDED PCB LAYOUT

1 DIMENSIONS APPLICATION FOR ROGERS 4350 PCB MATERIAL ONLY

LABEL FORMAT FOR
 73415-3597

PART NUMBER: 73415-3594
 ORDER NUMBER: 73415-3597
 MOLEX
 DATE: YYWW

LABEL FORMAT FOR
 73415-3595

PART NUMBER: 73415-3591
 ORDER NUMBER: 73415-3595
 MOLEX
 DATE: YYWW

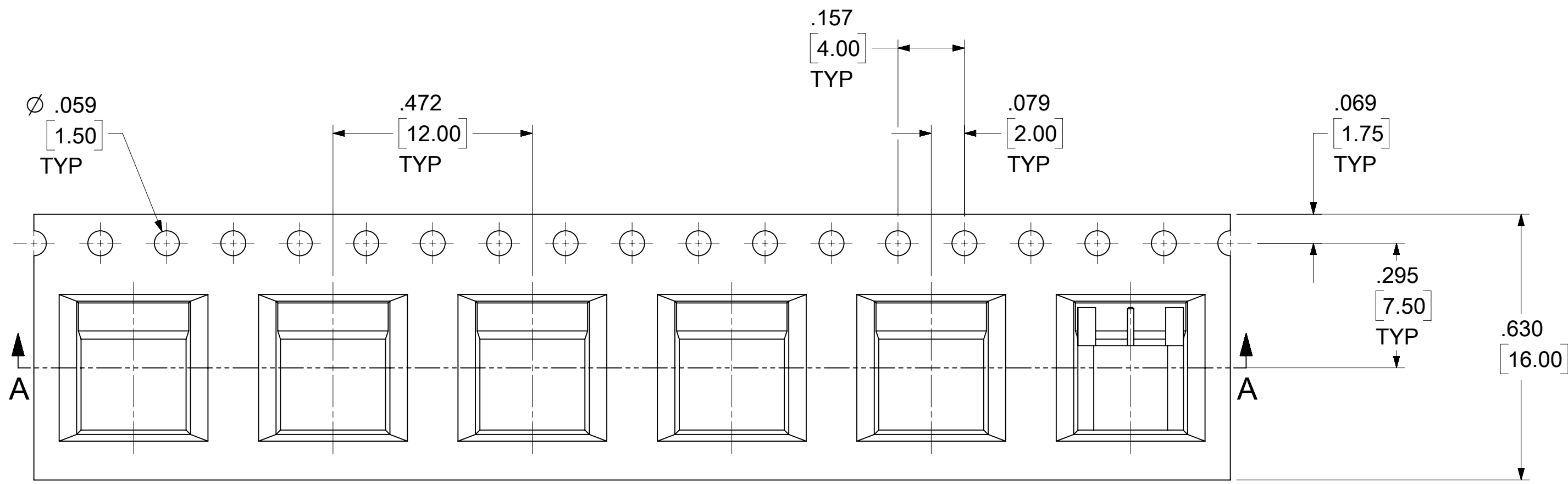
73415-3597	.090 REF	2.29 REF	.095	2.41	30 u" GOLD	73415-3594 ONE PER BAG	895420470
73415-3596	.050 REF	1.27 REF	.055	1.40	10 u" GOLD	73415-3591 TAPE AND REEL	SHEET 2 & 3
73415-3595						73415-3591 ONE PER BAG	895420088
73415-3594	.090 REF	2.29 REF	.095	2.41	30 u" GOLD	73415-3594 TRAY	895420040
73415-3593	.050 REF	1.27 REF	.055	1.40	10 u" GOLD	73415-3591 SMALL TRAY	895420060
73415-3592	.090 REF	2.29 REF	.095	2.41		73415-3590 SMALL TRAY	
73415-3591	.050 REF	1.27 REF	.055	1.40		73415-3591 TRAY	895420040
73415-3590	.090 REF	2.29 REF	.095	2.41	73415-3590 TRAY		
PART NO.	IN	MM	IN	MM	BODY PLATING	DESCRIPTION	PACKING SPEC
	DIM A		DIM B				

PS-89675-3320	PRODUCT SPECIFICATION
MIL-STD-348A, FIG. 326-3	INTERFACE
SPECIFICATION	DESCRIPTION

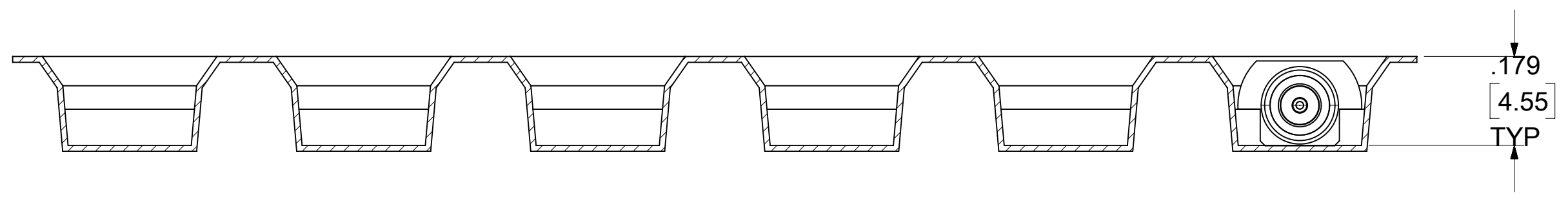
DOCUMENT STATUS	P1	RELEASE DATE	2022/08/29	06:23:08
-----------------	----	--------------	------------	----------

THIS DRAWING CONTAINS INFORMATION THAT IS PROPRIETARY TO MOLEX ELECTRONIC TECHNOLOGIES, LLC AND SHOULD NOT BE USED WITHOUT WRITTEN PERMISSION

DIMENSION UNITS INCH/MM	SCALE NTS	CURRENT REV DESC: ADD 73415-3597 PER EWR #15321-B	molex		
GENERAL TOLERANCES (UNLESS SPECIFIED)					
ANGULAR TOL ± 2.0°	EC NO: 719074		SMP PLUG, PCB EDGEMOUNT 50 OHMS LIMITED DETENT SMP-P/PCB		
4 PLACES ±	DRWN: RYEH	2022/08/15	PRODUCT CUSTOMER DRAWING		
3 PLACES ±	CHK'D: YCHENG	2022/08/29	DOCUMENT NUMBER		
2 PLACES ±	APPR: YCHENG	2022/08/29	SD-73415-359		
1 PLACE ±	INITIAL REVISION:		DOC TYPE	DOC PART	REVISION
0 PLACES ±	DRWN: RFC_PLMIMP	2017/12/28	PSD	001	A9
	APPR: MHUANG	2007/02/05	MATERIAL NUMBER	CUSTOMER	SHEET NUMBER
DRAFT WHERE APPLICABLE MUST REMAIN WITHIN DIMENSIONS	THIRD ANGLE PROJECTION	DRAWING	SEE TABLE	GENERAL MARKET	1 OF 3
		C-SIZE	SERIES		
			73415		



FOR 73415-3596

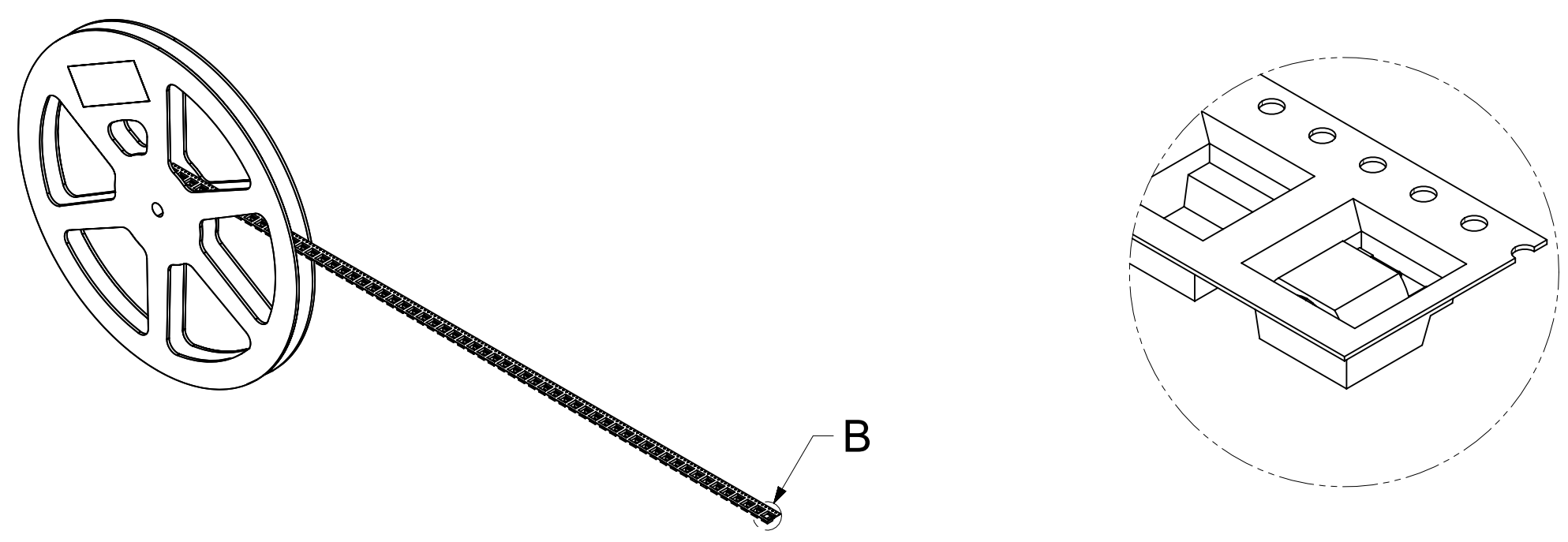
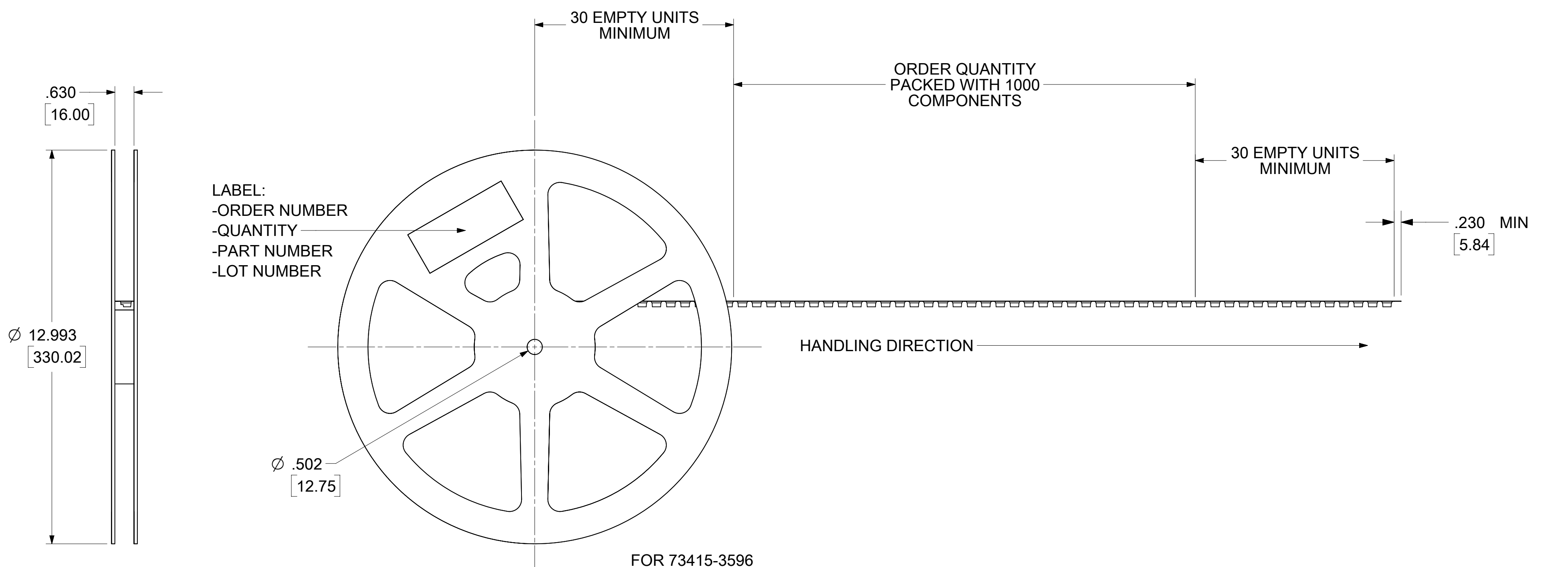


SECTION A-A

THIS DRAWING CONTAINS INFORMATION THAT IS PROPRIETARY TO MOLEX ELECTRONIC TECHNOLOGIES, LLC AND SHOULD NOT BE USED WITHOUT WRITTEN PERMISSION

DIMENSION UNITS		SCALE		CURRENT REV DESC: ADD 73415-3597 PER EWR #15321-B			
INCH/MM		NTS		<p>molex</p> <p>SMP PLUG, PCB EDGEMOUNT 50 OHMS LIMITED DETENT SMP-P/PCB</p> <p>PRODUCT CUSTOMER DRAWING</p>			
GENERAL TOLERANCES (UNLESS SPECIFIED)							
ANGULAR TOL ± 2.0°							
4 PLACES ±		EC NO: 719074					
3 PLACES ±		DRWN: RYEH 2022/08/15					
2 PLACES ±		CHK'D: YCHENG 2022/08/29					
1 PLACE ±		APPR: YCHENG 2022/08/29					
0 PLACES ±		INITIAL REVISION:		DOCUMENT NUMBER			
DRAFT WHERE APPLICABLE MUST REMAIN WITHIN DIMENSIONS		THIRD ANGLE PROJECTION		DRAWING		SERIES	
				C-SIZE		73415	
				MATERIAL NUMBER		CUSTOMER	
				SEE TABLE		GENERAL MARKET	
				SHEET NUMBER		1	
						2 OF 3	

DOCUMENT STATUS	P1	RELEASE DATE	2022/08/29	06:23:08
-----------------	----	--------------	------------	----------



THIS DRAWING CONTAINS INFORMATION THAT IS PROPRIETARY TO MOLEX ELECTRONIC TECHNOLOGIES, LLC AND SHOULD NOT BE USED WITHOUT WRITTEN PERMISSION									
DIMENSION UNITS		SCALE		CURRENT REV DESC: ADD 73415-3597 PER EWR #15321-B				molex	
INCH/MM		NTS							
GENERAL TOLERANCES (UNLESS SPECIFIED)				EC NO: 719074 DRWN: RYEH 2022/08/15 CHK'D: YCHENG 2022/08/29 APPR: YCHENG 2022/08/29 INITIAL REVISION: DRWN: RFC_PLMIMP 2017/12/28 APPR: MHUANG 2007/02/05					
ANGULAR TOL ± 2.0°									
4 PLACES		±							
3 PLACES		±							
2 PLACES		±							
1 PLACE		±							
0 PLACES		±		DOCUMENT NUMBER		DOC TYPE		DOC PART REVISION	
				SD-73415-359		PSD		001 A9	
DRAFT WHERE APPLICABLE MUST REMAIN WITHIN DIMENSIONS		THIRD ANGLE PROJECTION		DRAWING		SERIES		MATERIAL NUMBER	
				C-SIZE		73415		SEE TABLE	
DOCUMENT STATUS		P1		RELEASE DATE		2022/08/29 06:23:08		CUSTOMER	
								GENERAL MARKET	
								SHEET NUMBER	
								3 OF 3	