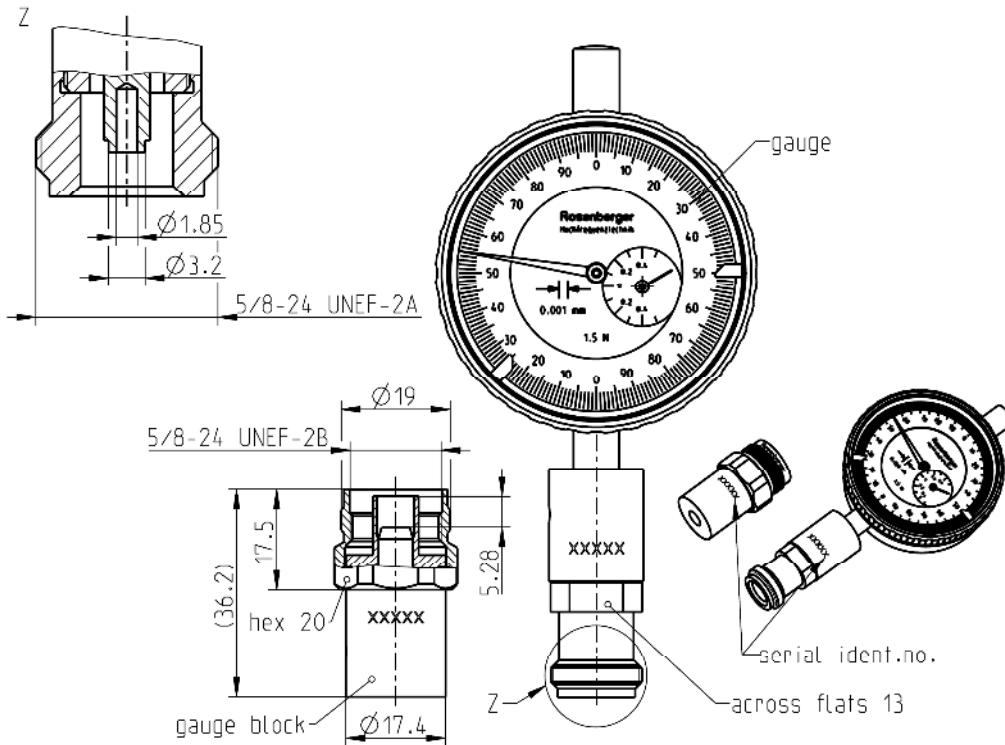


RPC-N
50 Ω

Gauge Jack

05W00S-000



All dimensions are in mm; tolerances according to ISO 2768 m-H

Documents

Application note

AN001 "Calibration Services"

Material and plating

Connector parts

- Center and outer contact
- Body
- Gauge block coupling nut
- Gauge block body

Material

- Stainless steel
- Stainless steel
- Stainless steel
- Stainless steel

Plating

- N/A
- Passivated
- Passivated
- N/A

Mechanical data

- Gauge block nominal gauge 5.28 mm
- Gauge range 5.28 mm ± 0.5 mm
- Scale gradation 1 μm
- Limit of measurement error^{1,2} ≤ 10 μm
- Typical measurement error^{1,2} ≤ 6 μm
- Measuring force 1.5 N

¹ When zeroed with gauge block

² 5.24 mm to 5.40 mm

Dieses Dokument ist urheberrechtlich geschützt • This document is protected by copyright • Rosenberger Hochfrequenztechnik GmbH & Co. KG

RF_35/09.14/6.2

RPC-N
50 Ω

Gauge Jack

05W00S-000

Declaration of calibration options

Factory Calibration

Standard delivery for this gauge includes a Factory Calibration. The Calibration Certificate issued reports individual mechanical calibration results, traceable to national / international standards.

Accredited Calibration

Not available.

For further, more detailed information see application note AN001 on the Rosenberger homepage.

Calibration interval

Recommendation 12 months

Packing

Standard 1 pce in box
Weight 245 g/pce

While the information has been carefully compiled to the best of our knowledge, nothing is intended as representation or warranty on our part and no statement herein shall be construed as recommendation to infringe existing patents. In the effort to improve our products, we reserve the right to make changes judged to be necessary.

Draft	Date	Approved	Date	Rev.	Engineering change number	Name	Date
Herbert Babinger	09.03.05	Martin Moder	29.01.15	g00	14-1492	Herbert Babinger	29.01.15
Rosenberger Hochfrequenztechnik GmbH & Co. KG P.O.Box 1260 D-84526 Tittmoning Germany www.rosenberger.de					Tel. : +49 8684 18-0 Email : info@rosenberger.de		Page 2 / 2