



XFP AGC EDFA

Description

Jabil Photonic XFP form factor EDFA is a pluggable EDFA product designed for single channel or full C-band 40/80/96 channels DWDM amplification in Telecom, Datacom or CATV applications. It is designed to be compatible with XFP MSA (INF-8077i) on mechanical and electrical interface, which allow it be plug-and-play in XFP cage.

Jabil Photonic XFP EDFA supports the working mode of AGC and can monitor the input and output optical power in real time. Support real-time input/output LOS alarm, pump protection and online firmware upgrade.

Features

- XFP form factor, super compact form factor
- 1530-1568nm, DWDM Application
- Output power up to 17dBm
- Highly integrated passive component and ultra small form factor pump
- AGC, APC and ACC operation mode
- Operating temperature -5°C to 65°C



Applications

- DWDM
- CATV



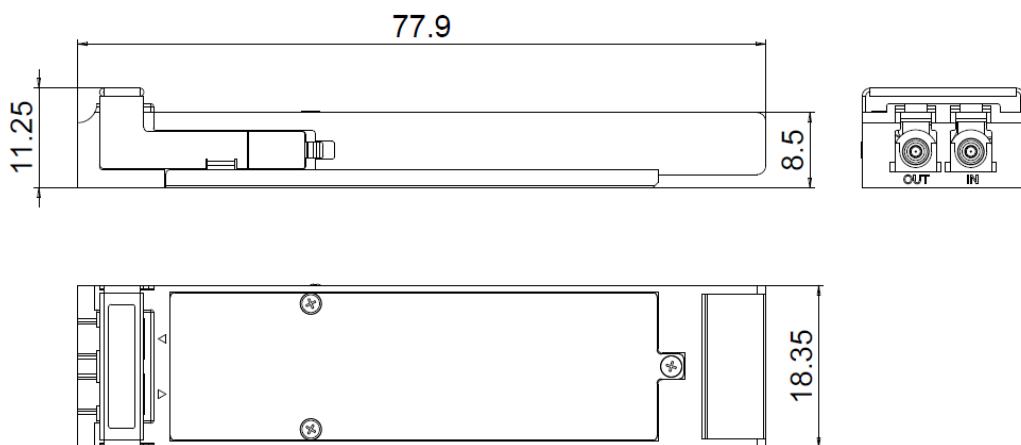
Environmental Specifications

Parameter	Min.	Typ.	Max.	Unit
Operation Temperature	-5	25	+65	°C
Storage Temperature	-40	-----	+85	°C
Operation Humidity*	5	-----	85	%
Storage Humidity	5	-----	85	%

(*) not condensing

Operating Specifications

Parameter	Min.	Typ.	Max.	Unit
Supply Voltage	3.13	+3.3	+3.46	V
Power Dissipation		2	2.5	W



Optical Specifications

Parameter	Min.	Typ.	Max.	Unit
Wavelength	1528.77		1566.72	nm
Channel Number	1		16	
Input Power	-13		2	dBm
Output Power			17	dBm
Output Power Variation	-0.5		0.5	dB
Gain		15		dB
Gain Flatness (peak to peak)			4	dB
Gain Accuracy	-0.5		0.5	dB
Noise Figure			6.5	dB
Transient performance (*)			3	dB
Return Loss	40			dB
LOSA	-25			dBm
LOSD			-16	dBm
Hysteresis	0.5		3	dB

(*) 3dB add/drop of input

Ordering information

Jabil Part Number	Package	Gain	Output Power	Other info
JP-EDFA-XFP-1517	XFP	15 dB	17dBm	

Contact information

For additional information and evaluation samples order, please contact:

Chuck Sinha, Sr. Director of Sales

Jabil Photonics

5960 Inglewood Dr. Suite 100, Pleasanton, CA

Mobile: 408-505-0955

Email: Chuck_Sinha@Jabil.com