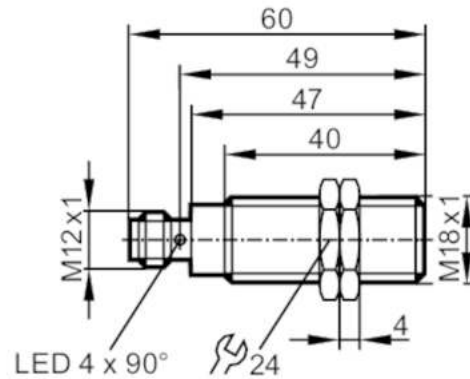


MGT201



Magnetic sensor

MGK3100-BPKG/MV4A/US-104-DPS



Product characteristics

Electrical design	PNP
Output function	normally open
Sensing range [mm]	100; (referred to magnet M 4.0)
Housing	threaded type
Dimensions [mm]	M18 x 1 / L = 60

Application

Special feature	Gold-plated contacts
Application	pig detection

Electrical data

Operating voltage [V]	10...30 DC
Current consumption [mA]	< 10
Protection class	III
Reverse polarity protection	yes

Outputs

Electrical design	PNP
Output function	normally open
Max. voltage drop switching output DC [V]	2.5
Permanent current rating of switching output DC [mA]	200
Short-circuit protection	yes
Overload protection	yes

Detection zone

Sensing range [mm]	100; (referred to magnet M 4.0)
Response sensitivity [mT]	0.3

Accuracy / deviations

Hysteresis [% of Sr]	1...10
----------------------	--------

Response times

Pulse stretching [ms]	1000
-----------------------	------

MGT201



Magnetic sensor

MGK3100-BPKG/MV4A/US-104-DPS

Operating conditions

Ambient temperature	[°C]	0...104
Protection		IP 68; IP 69K

Tests / approvals

EMC	EN 61000-4-2 ESD	4 kV CD / 8 kV AD
	EN 61000-4-3 HF radiated	10 V/m
	EN 61000-4-4 Burst	2 kV
	EN 61000-4-5 Surge	0,5 kV line to line, Ri: 2 Ohm
	EN 61000-4-6 HF conducted	10 V
	EN 55011	class B
MTTF	[years]	769

Mechanical data

Weight	[g]	47.3
Housing		threaded type
Dimensions	[mm]	M18 x 1 / L = 60
Thread designation		M18 x 1
Materials		housing: stainless steel (1.4404 / 316L); sensing face: PEEK; lock nuts: stainless steel

Displays / operating elements

Display	switching status	1 x LED, yellow
---------	------------------	-----------------

Accessories

Items supplied		lock nuts: 2
----------------	--	--------------

Remarks

Remarks		voltage supply to EN50178, SELV, PELV
Pack quantity		1 pcs.

Electrical connection - plug

Connector: 1 x M12; coding: A; Contacts: gold-plated



MGT201



Magnetic sensor

MGK3100-BPKG/M/V4A/US-104-DPS

Connection

