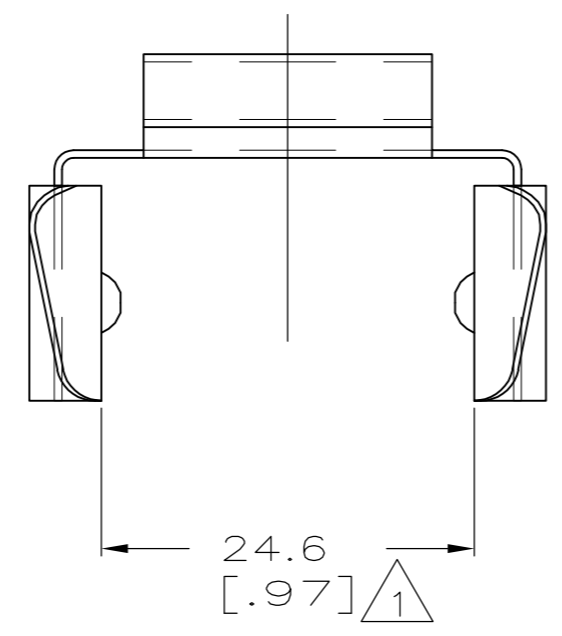
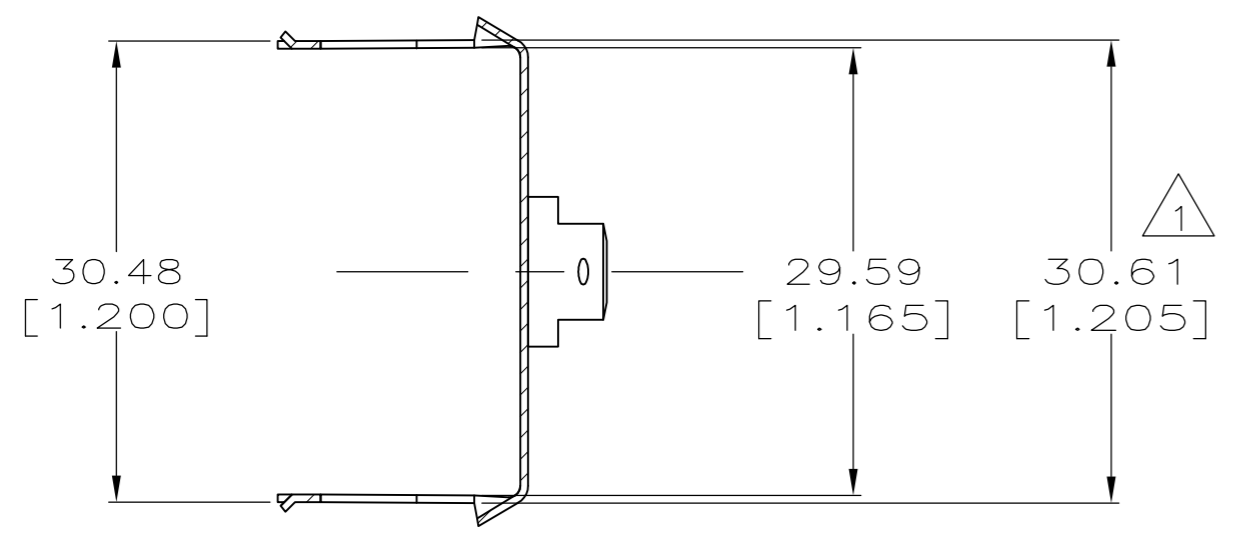
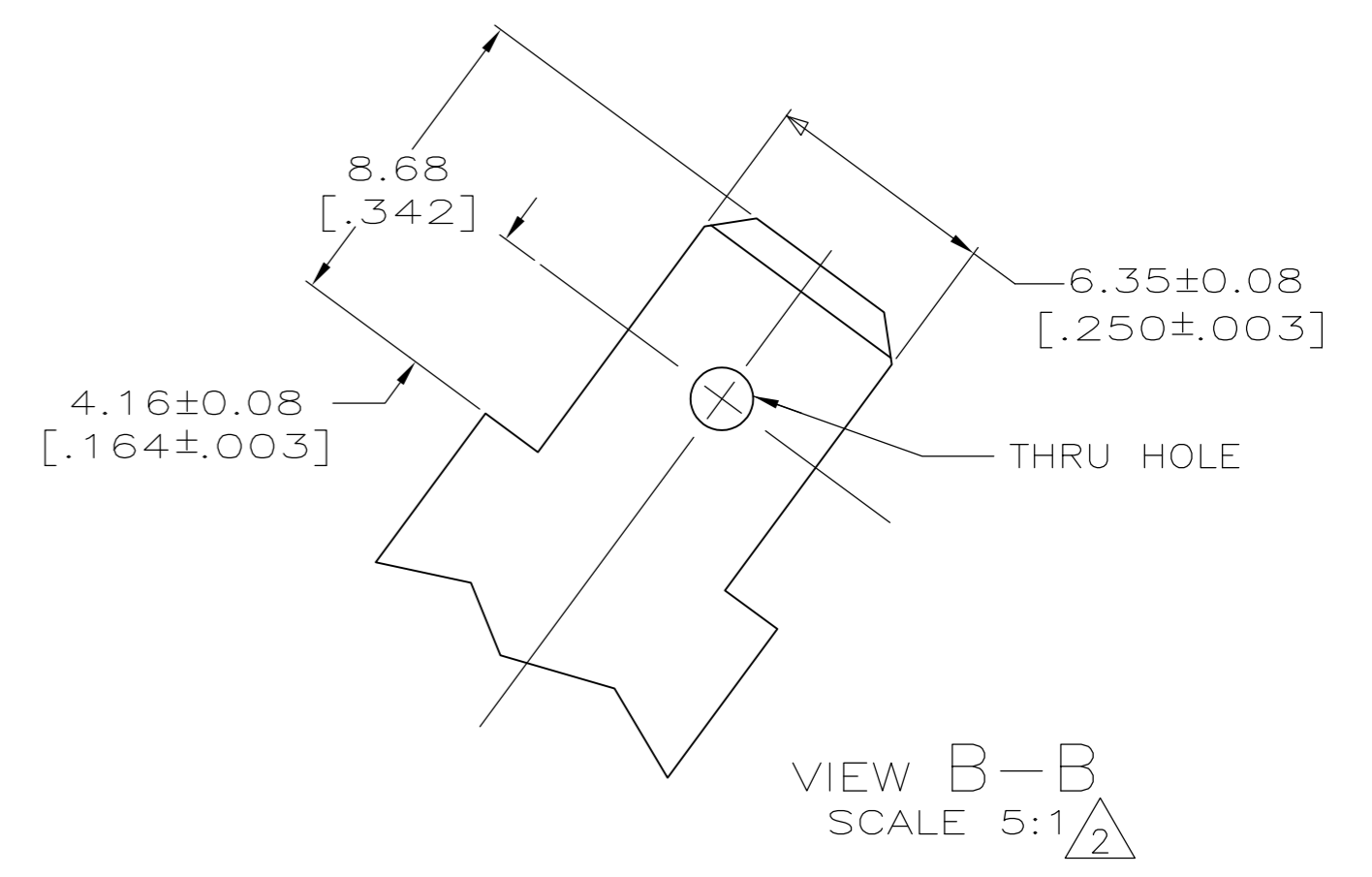
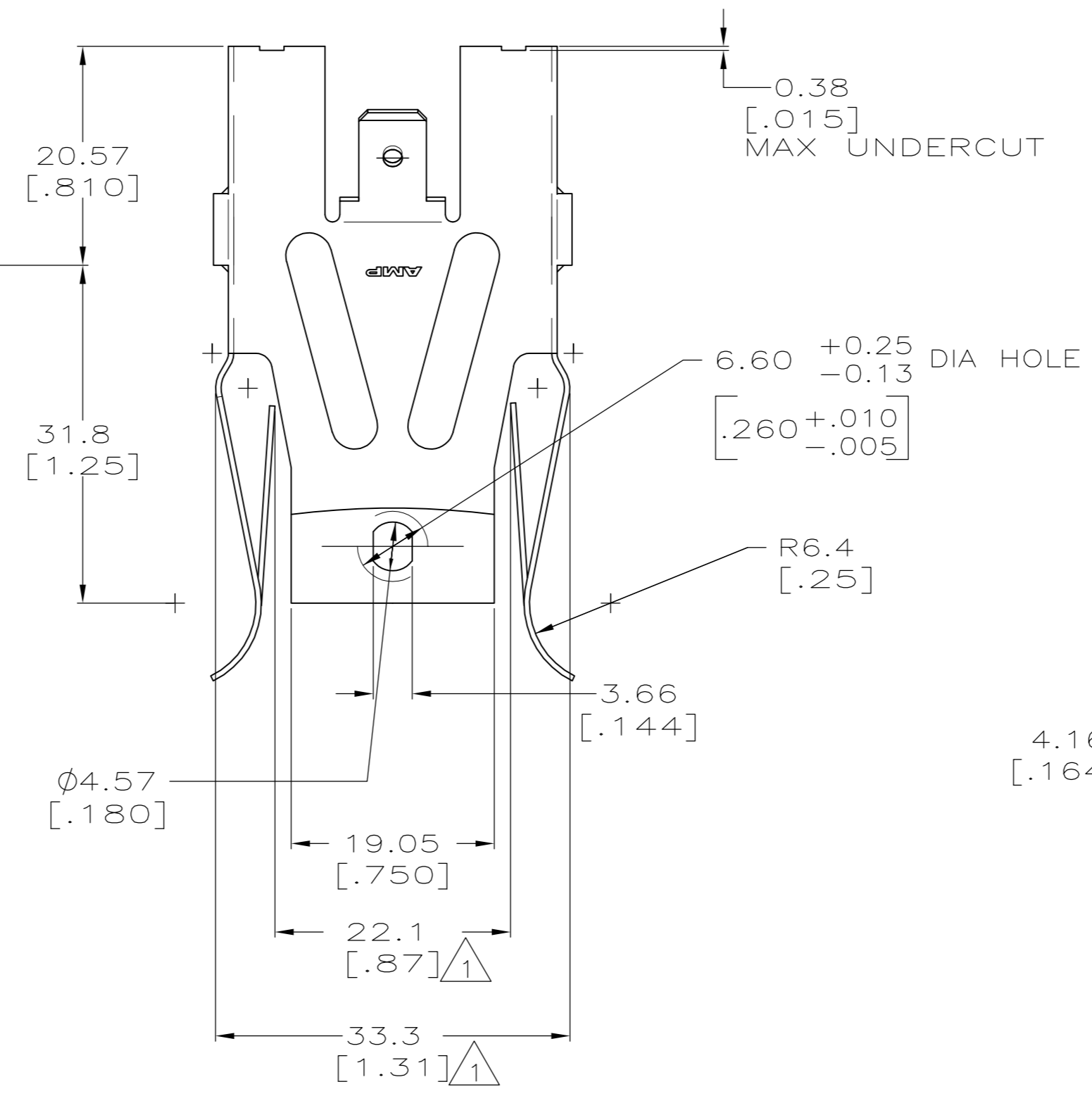
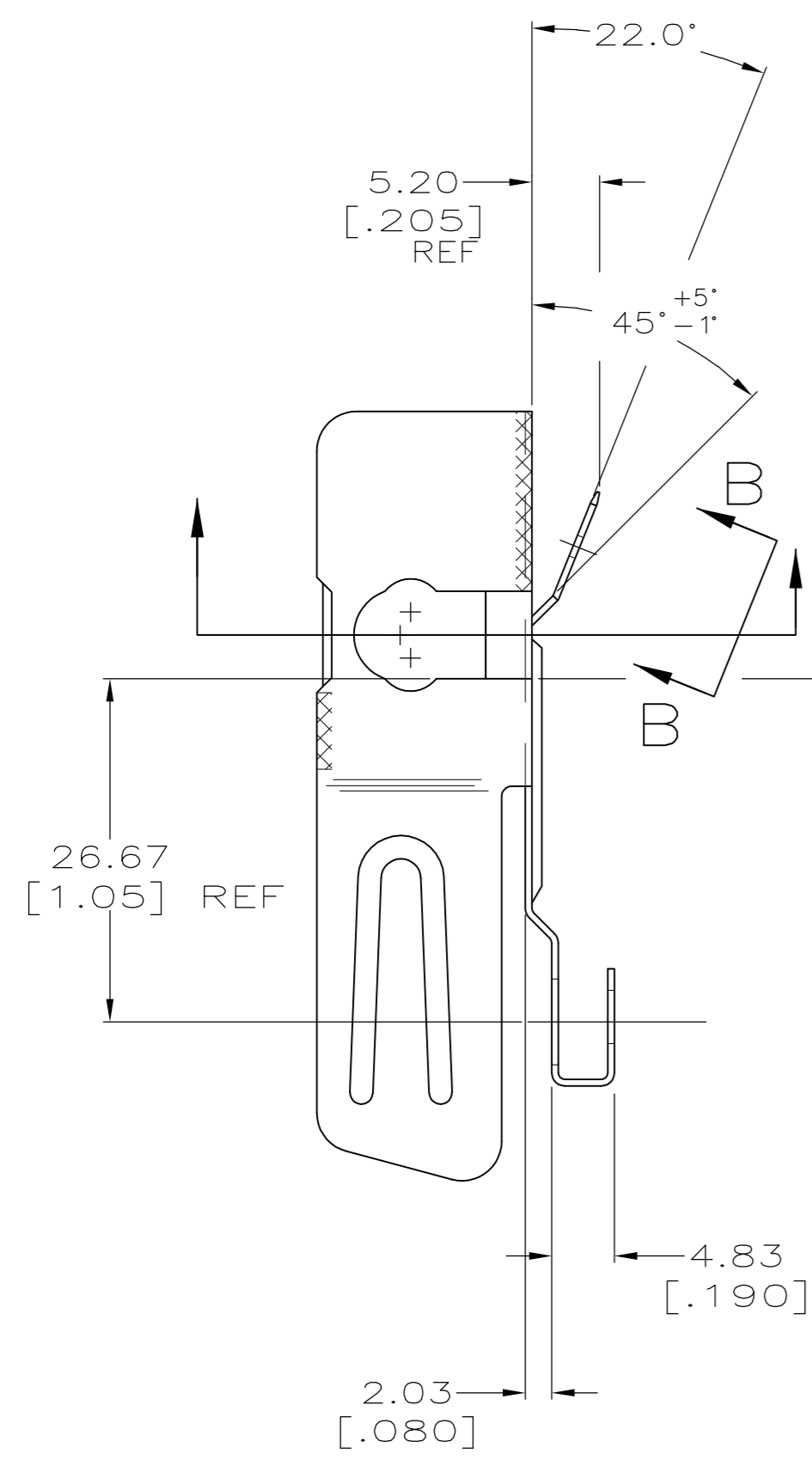


THIS DRAWING IS UNPUBLISHED. RELEASED FOR PUBLICATION  
 © COPYRIGHT BY TYCO ELECTRONICS CORPORATION. ALL RIGHTS RESERVED.

LOC	DIST	REVISIONS			
P	LTR	DESCRIPTION	DATE	DWN	APVD
AF	50	E1	REVISED PER ECR-08-006534	04APR08	HMR GJ

- 1 DIMENSION TO BE CHECKED WHEN SIDES ARE PARRALLEL WITH [1.215] DIM.
- 2 FOR 6.35 [.250] SERIES POSITIVE LOCK RECEPACLE.



1217836-1  
PART NO.

THIS DRAWING IS A CONTROLLED DOCUMENT.		DWN 13MAY2002 MICHAEL S. FEHER	Tyco Electronics Corporation Harrisburg, PA 17105-3608	
DIMENSIONS: mm		CHK 13MAY2002 DONALD DECKER	NAME	
TOLERANCES UNLESS OTHERWISE SPECIFIED:		APVD 13MAY2002 DONALD DECKER	CLIP, CONNECTOR, HEAVY DUTY BURNER	
0 PLC ± -	1 PLC ± -	PRODUCT SPEC	SIZE A2	CAGE CODE 00779
2 PLC ± 0.8 [.03]	3 PLC ± 0.25 [.010]	APPLICATION SPEC	DRAWING NO C=1217836	RESTRICTED TO -
4 PLC ± -	ANGLES ± -	WEIGHT -	SCALE 2:1	SHEET 1 OF 1
MATERIAL 1/4 HARD STAINLESS	FINISH -	CUSTOMER DRAWING	REV E1	