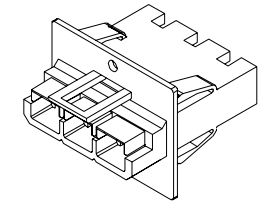
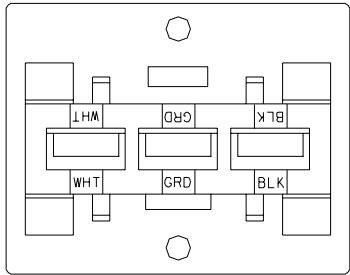
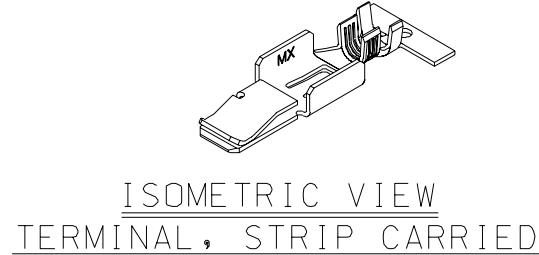


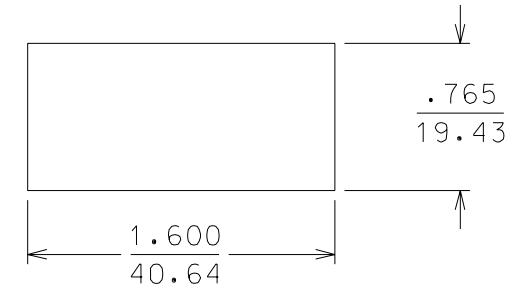
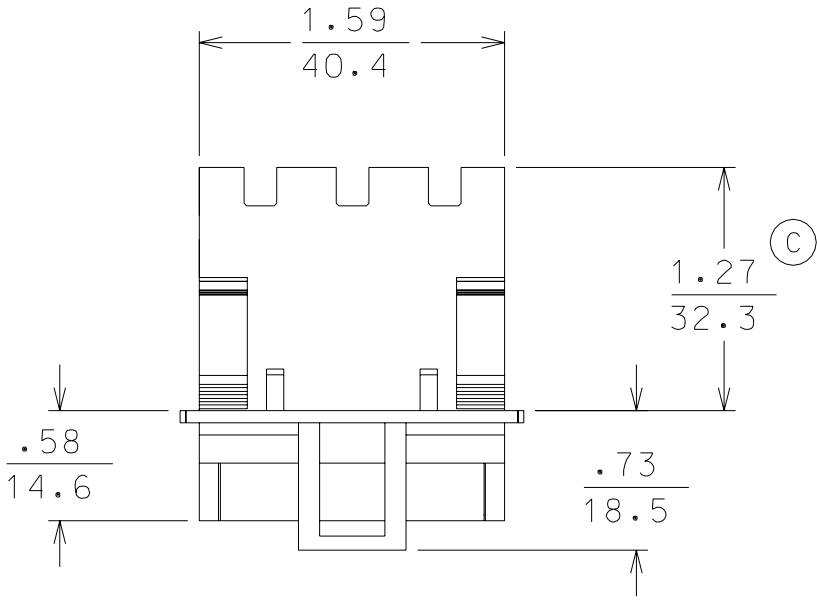
PART NUMBER	DESCRIPTION
194031230	SC HEADER HOUSING
194031240	TERMINAL, STRIP CARRIED
194031241	TERMINAL, LOOSE PIECE



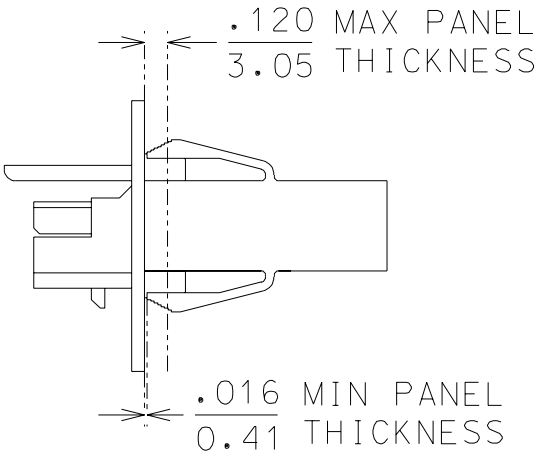
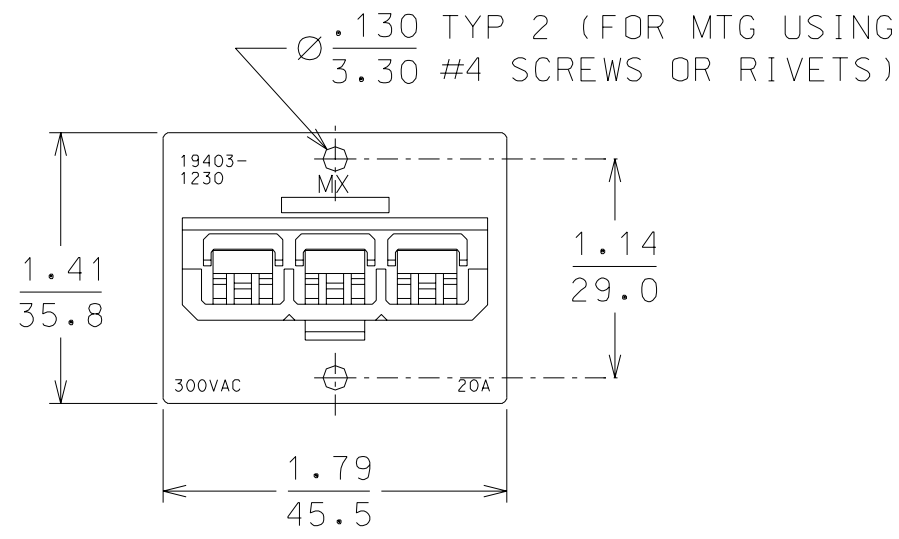
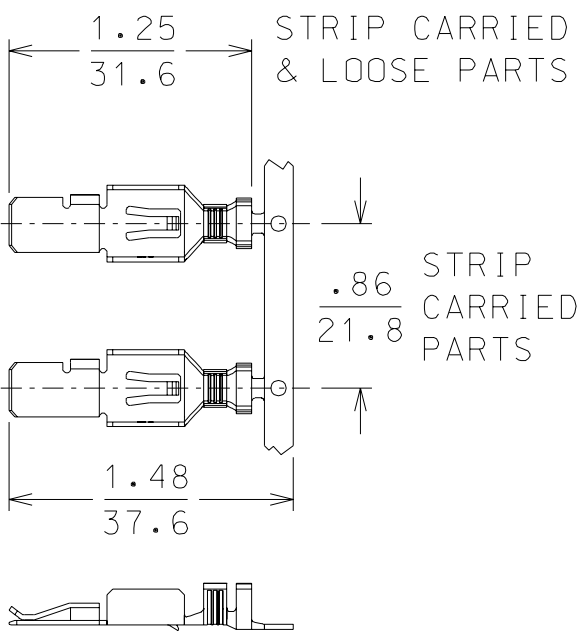
ISOMETRIC VIEW  
SC HEADER



ISOMETRIC VIEW  
TERMINAL, STRIP CARRIED



RECOMMENDED PANEL CUTOUT



NOTES:  
 1) TERMINAL MATERIAL: HIGH COPPER ALLOY  
 PLATING: TIN  
 2) HOUSING MATERIAL: POLYESTER UL94-5VA

EC NO. ETC2002-0085 DRWN: B. RUPERT 01/18/09 CHK: J. PAWLIC 01/18/09 APPR: R. DeROSS 01/18/09	QUALITY SYMBOLS MAJOR = CRITICAL =	GENERAL TOLERANCES: (UNLESS SPECIFIED)		SCALE 1:1	DESIGN UNITS <input type="checkbox"/> mm <input checked="" type="checkbox"/> INCH	THIRD ANGLE PROJECTION <input checked="" type="checkbox"/>	DIMENSIONS: <input type="checkbox"/> mm <input checked="" type="checkbox"/> INCH <input type="checkbox"/> mm ONLY	SHT	REV
		4 PLACES ±0.--- ±.---	mm	INCH	DRAWN BY & DATE DAY 00/06/12	TITLE: CUSTOMER DRAWING			
		3 PLACES ±0.--- ±.005			CHECKED BY & DATE RWD 00/06/12	SC PANEL MOUNT CONNECTOR			
		2 PLACES ±0.13 ±.01			APPROVED BY & DATE RWD 00/06/12	10 AWG			
1 PLACE ±0.3 ±.---			ANGULAR: ±1/2°	CAD FILENAME 19403128.DGN	MATERIAL NO. SEE CHART	DRAWING NO. SD-19403-128	SHEET NO. 1 OF 1		
DRAFT WHERE APPLICABLE MUST REMAIN WITHIN DIMENSIONS		THIS DRAWING CONTAINS INFORMATION THAT IS PROPRIETARY TO MOLEX INCORPORATED AND SHOULD NOT BE USED WITHOUT WRITTEN PERMISSION.				SIZE B			