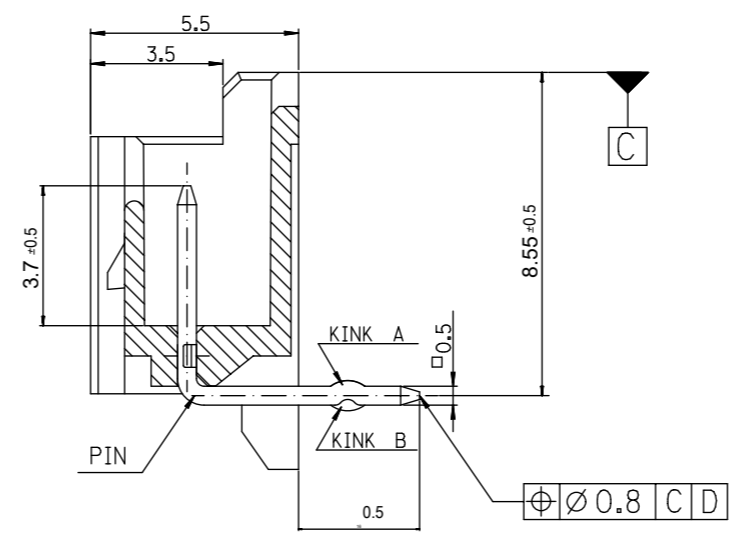
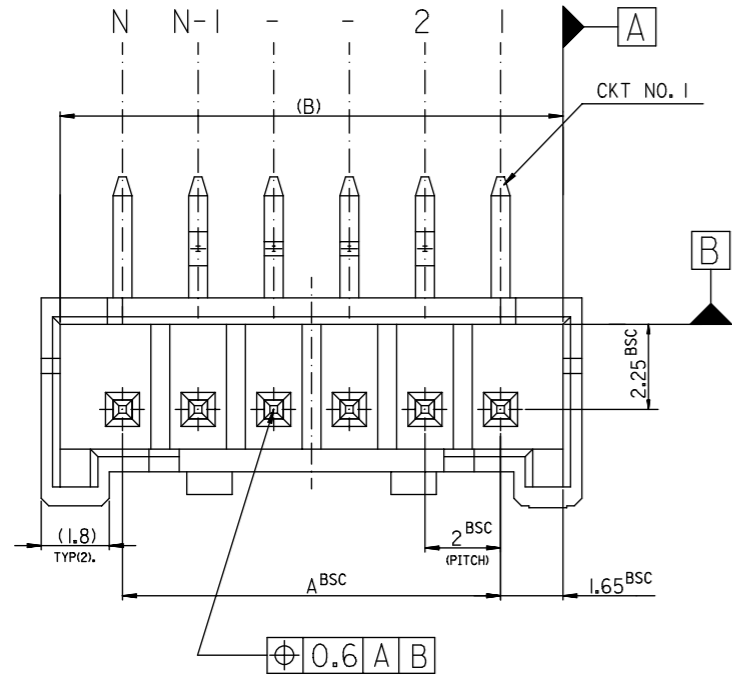
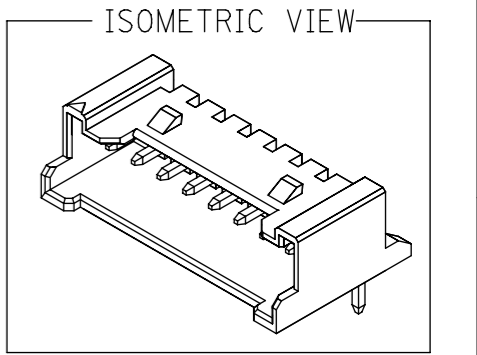


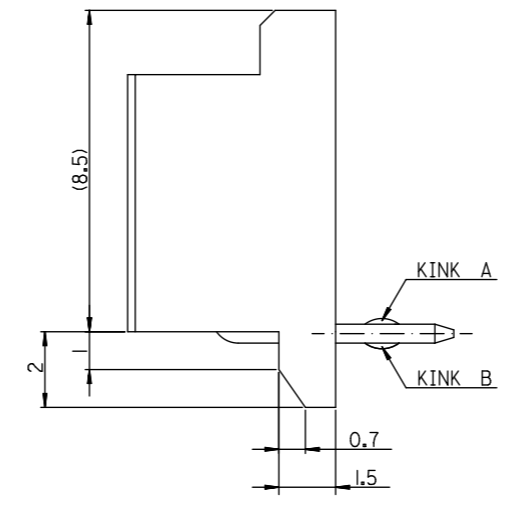
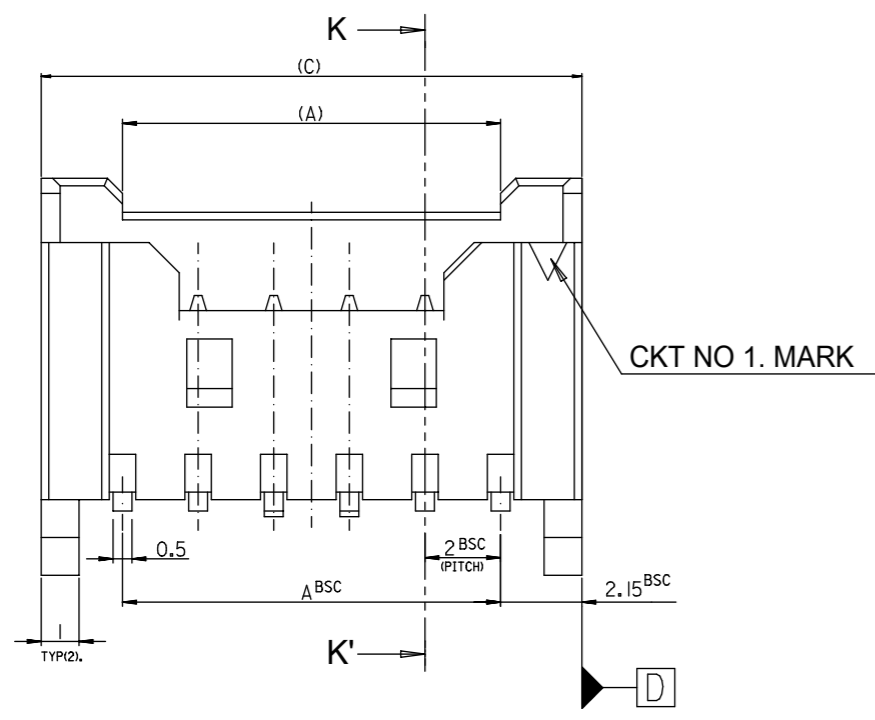
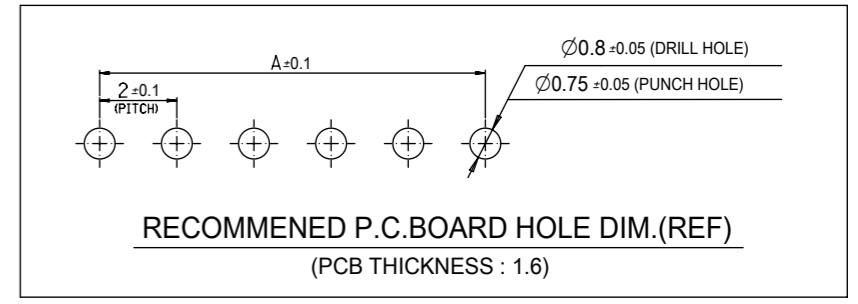
LEAD FREE



LEGEND

SD-35363-** 6 * COLOR

- 0 : NATURAL
- 1 : BLACK
- 2 : RED
- 3 : YELLOW
- 4 : BLUE
- 5 : GREEN



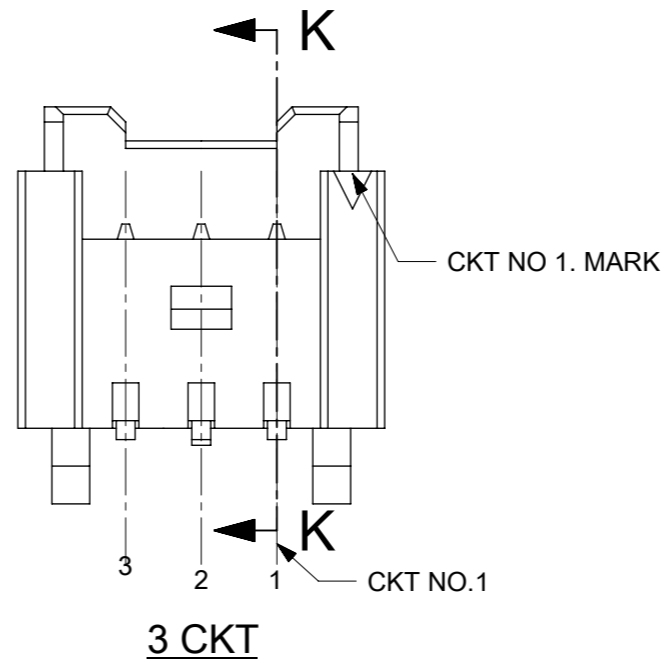
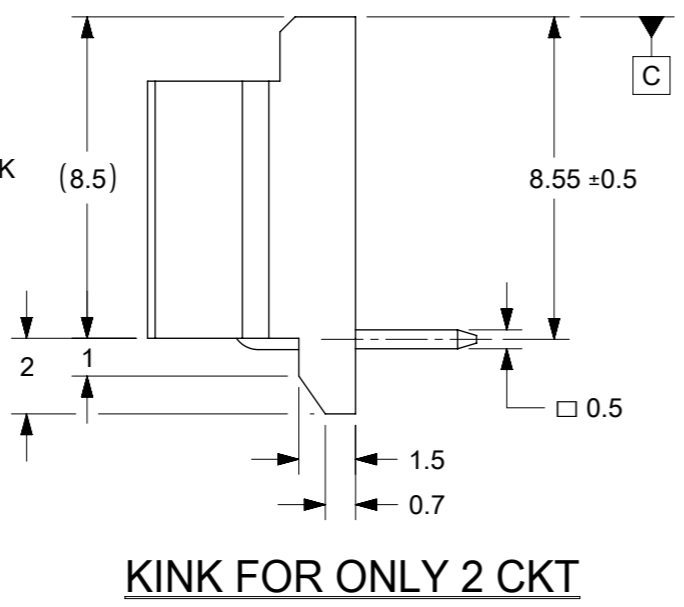
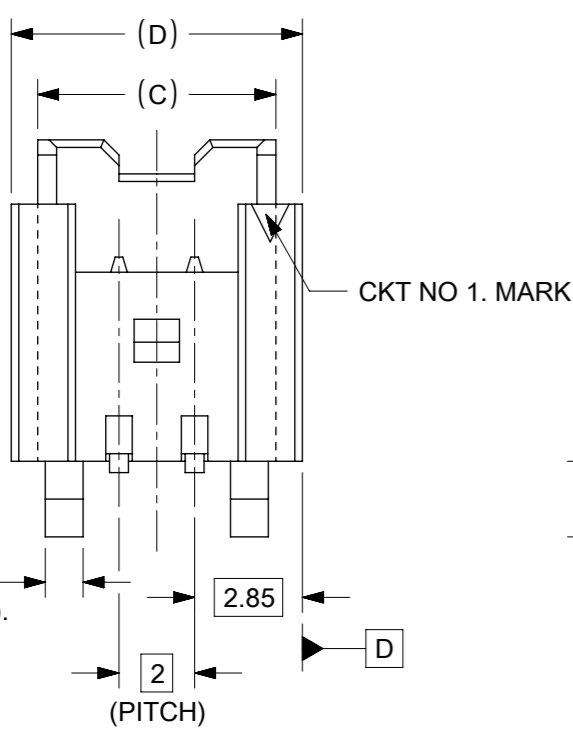
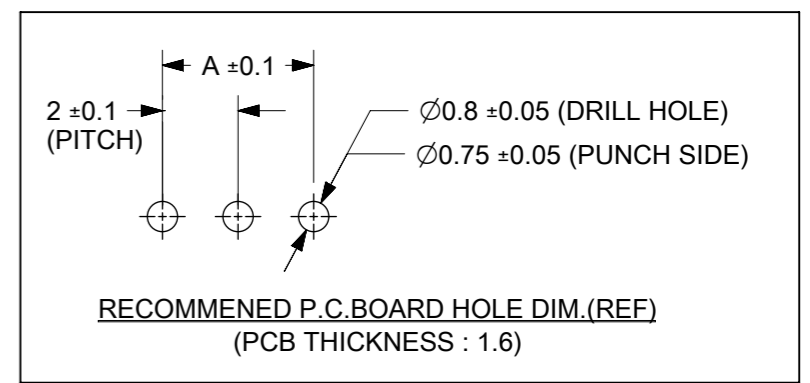
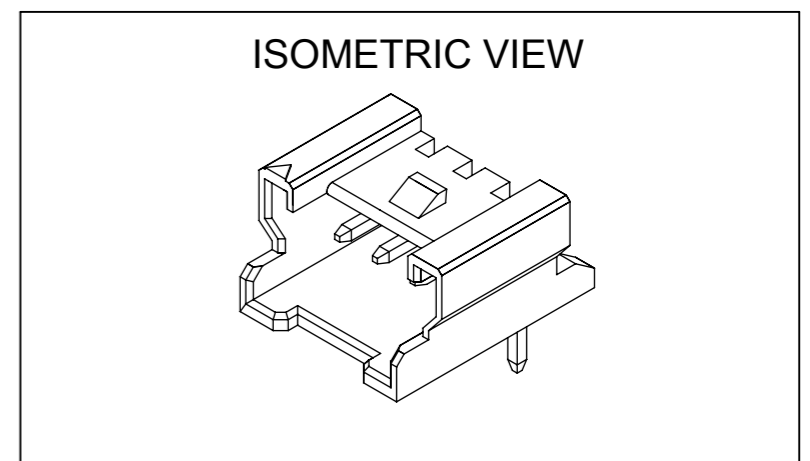
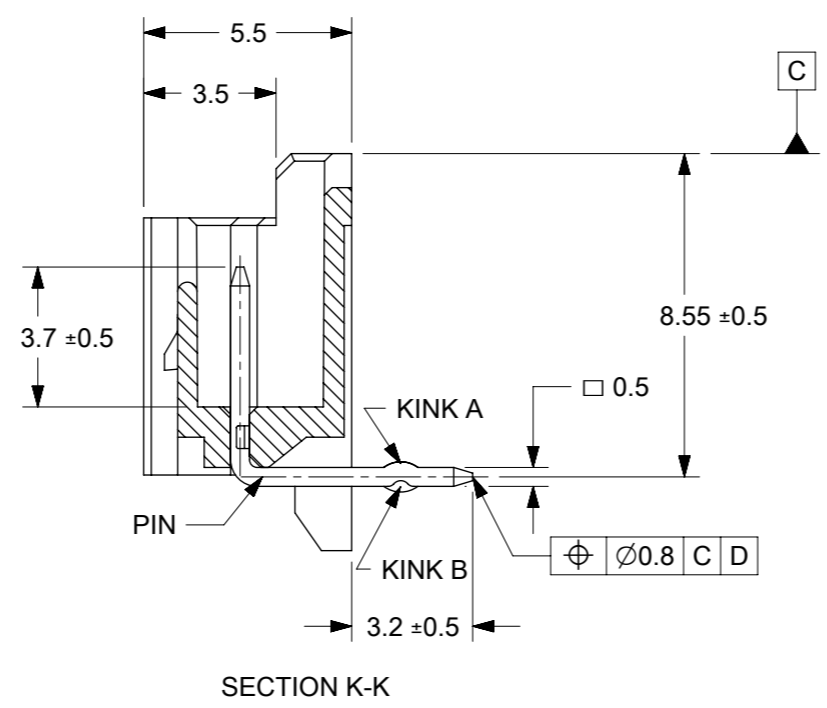
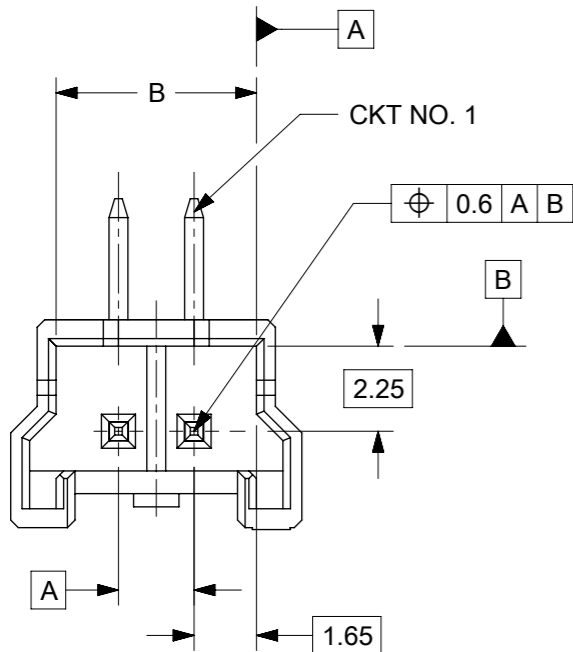
- NOTES
- MATERIAL : WAFER - UNFILLED POLYAMIDE, UL94V-0
PIN - BRASS
 - FINISHES : PIN - Tin(Sn) 1.0~3.0µm OVERALL
Cu 1.5~3.75µm OVERAL
 - PRODUCT SPECIFICATION : PS-35507-003
 - MATES WITH : HOUSING - 35507-**0*
TERMINAL - 50212-8000
 - KINK

CKT NO	1	2	3	4	5	N-2	N-1	N
6 CKT OVER	-	A	B	-	-	B	A	-
5 CKT	A	B	-	B	A			
4 CKT	A	B	B	A				

32.3	31.3	28	156*	- 156*	15
30.3	29.3	26	146*	- 146*	14
28.3	27.3	24	136*	- 136*	13
26.3	25.3	22	126*	- 126*	12
24.3	23.3	20	116*	- 116*	11
22.3	21.3	18	106*	- 106*	10
20.3	19.3	16	096*	-096*	9
18.3	17.3	14	086*	-086*	8
16.3	15.3	12	076*	-076*	7
14.3	13.3	10	066*	-066*	6
12.3	11.3	8	056*	-056*	5
10.3	9.3	6	35363046*	35363-046*	4
(C)	(B)	A	MATERIAL NO.	ENG. NO.	CKT

FUNCTIONAL SYMBOLS	THIS DRAWING CONTAINS INFORMATION THAT IS PROPRIETARY TO MOLEX ELECTRONIC TECHNOLOGIES, LLC AND SHOULD NOT BE USED WITHOUT WRITTEN PERMISSION	CURRENT REV DESC:																																																
	<table border="1"> <tr> <td>30 over</td> <td>±0.3</td> </tr> <tr> <td>10 over 30 under</td> <td>±0.25</td> </tr> <tr> <td>10 under</td> <td>±0.2</td> </tr> <tr> <td>ANGLE</td> <td>±3°</td> </tr> </table>	30 over	±0.3		10 over 30 under	±0.25	10 under	±0.2	ANGLE	±3°	<table border="1"> <tr> <td>FUNCTIONAL DIMENSION UNITS</td> <td>SCALE</td> </tr> <tr> <td>mm</td> <td>5:1</td> </tr> </table>	FUNCTIONAL DIMENSION UNITS	SCALE	mm	5:1	<table border="1"> <tr> <td>GENERAL TOLERANCES (UNLESS SPECIFIED)</td> <td>ANGULAR TOL ± °</td> </tr> <tr> <td>4 PLACES ±</td> <td></td> </tr> <tr> <td>3 PLACES ±</td> <td></td> </tr> <tr> <td>2 PLACES ±</td> <td></td> </tr> <tr> <td>1 PLACE ±</td> <td></td> </tr> <tr> <td>0 PLACES ±</td> <td></td> </tr> </table>	GENERAL TOLERANCES (UNLESS SPECIFIED)	ANGULAR TOL ± °	4 PLACES ±		3 PLACES ±		2 PLACES ±		1 PLACE ±		0 PLACES ±		<table border="1"> <tr> <td>EC NO: 636378</td> <td>2020/04/21</td> </tr> <tr> <td>DRWN: SCHONG03</td> <td>2020/04/23</td> </tr> <tr> <td>CHK'D: JBJIN</td> <td>2020/04/23</td> </tr> <tr> <td>APPR: YSKIM02</td> <td></td> </tr> <tr> <td>INITIAL REVISION:</td> <td></td> </tr> <tr> <td>DRWN: DYJANG</td> <td>2004/09/01</td> </tr> <tr> <td>APPR: CHANGWOOLEE</td> <td>2004/09/02</td> </tr> </table>	EC NO: 636378	2020/04/21	DRWN: SCHONG03	2020/04/23	CHK'D: JBJIN	2020/04/23	APPR: YSKIM02		INITIAL REVISION:		DRWN: DYJANG	2004/09/01	APPR: CHANGWOOLEE	2004/09/02	<table border="1"> <tr> <td>DOCUMENT NUMBER</td> <td>DOC TYPE</td> <td>DOC PART</td> <td>REVISION</td> </tr> <tr> <td>SD-35363-002</td> <td>PSD</td> <td>001</td> <td>D3</td> </tr> </table>	DOCUMENT NUMBER	DOC TYPE	DOC PART	REVISION	SD-35363-002	PSD
30 over	±0.3																																																	
10 over 30 under	±0.25																																																	
10 under	±0.2																																																	
ANGLE	±3°																																																	
FUNCTIONAL DIMENSION UNITS	SCALE																																																	
mm	5:1																																																	
GENERAL TOLERANCES (UNLESS SPECIFIED)	ANGULAR TOL ± °																																																	
4 PLACES ±																																																		
3 PLACES ±																																																		
2 PLACES ±																																																		
1 PLACE ±																																																		
0 PLACES ±																																																		
EC NO: 636378	2020/04/21																																																	
DRWN: SCHONG03	2020/04/23																																																	
CHK'D: JBJIN	2020/04/23																																																	
APPR: YSKIM02																																																		
INITIAL REVISION:																																																		
DRWN: DYJANG	2004/09/01																																																	
APPR: CHANGWOOLEE	2004/09/02																																																	
DOCUMENT NUMBER	DOC TYPE	DOC PART	REVISION																																															
SD-35363-002	PSD	001	D3																																															
GENERAL TOLERANCE	<table border="1"> <tr> <td>DRAFT WHERE APPLICABLE MUST REMAIN WITHIN DIMENSIONS</td> <td>THIRD ANGLE PROJECTION</td> <td>DRAWING</td> <td>SERIES</td> <td>MATERIAL NUMBER</td> <td>CUSTOMER</td> <td>SHEET NUMBER</td> </tr> <tr> <td></td> <td></td> <td>A3-SIZE</td> <td>35363</td> <td>SEE TABLE</td> <td>GENERAL MARKET</td> <td>1 OF 1</td> </tr> </table>	DRAFT WHERE APPLICABLE MUST REMAIN WITHIN DIMENSIONS	THIRD ANGLE PROJECTION	DRAWING	SERIES	MATERIAL NUMBER	CUSTOMER	SHEET NUMBER			A3-SIZE	35363	SEE TABLE	GENERAL MARKET	1 OF 1																																			
DRAFT WHERE APPLICABLE MUST REMAIN WITHIN DIMENSIONS	THIRD ANGLE PROJECTION	DRAWING	SERIES	MATERIAL NUMBER	CUSTOMER	SHEET NUMBER																																												
		A3-SIZE	35363	SEE TABLE	GENERAL MARKET	1 OF 1																																												

FOR 2 & 3 CKTS. LEAD FREE



LEGEND

SD-35363- ** 6 *

CKT NO. _____

LEAD FREE _____

COLOR

- 0 : NATURAL
- 1 : BLACK
- 2 : RED
- 3 : YELLOW
- 4 : BLUE
- 5 : GREEN

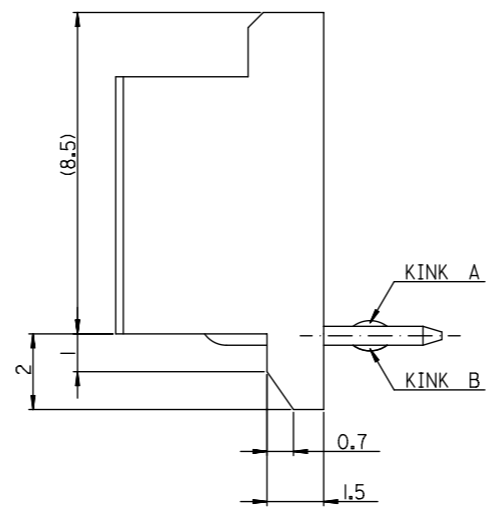
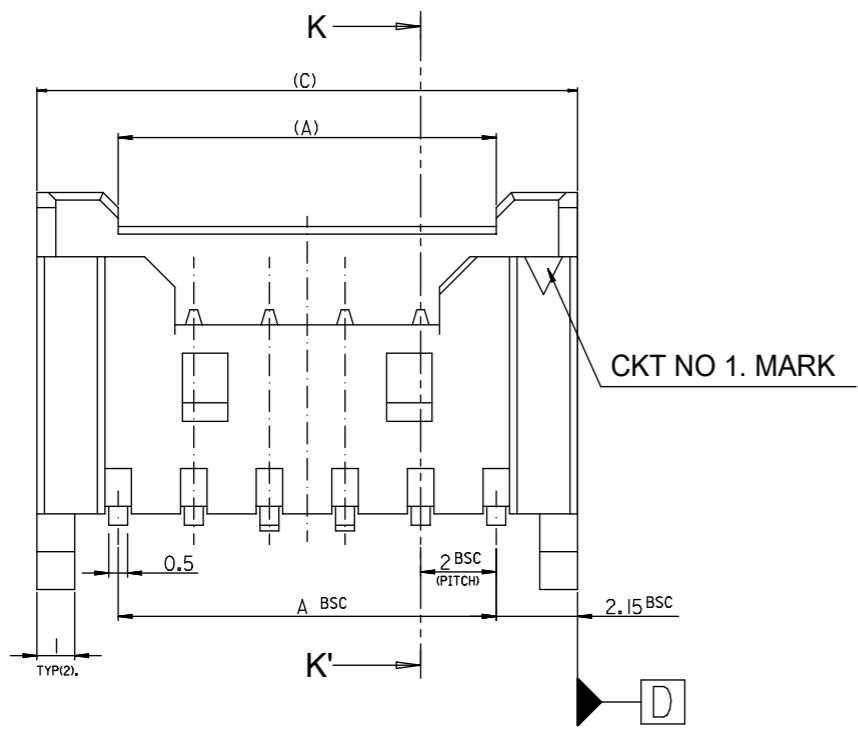
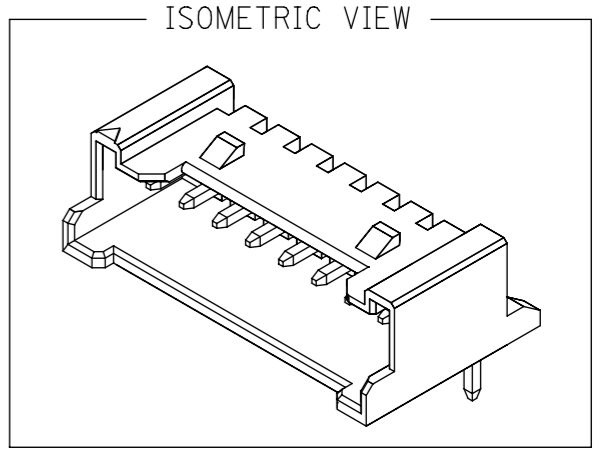
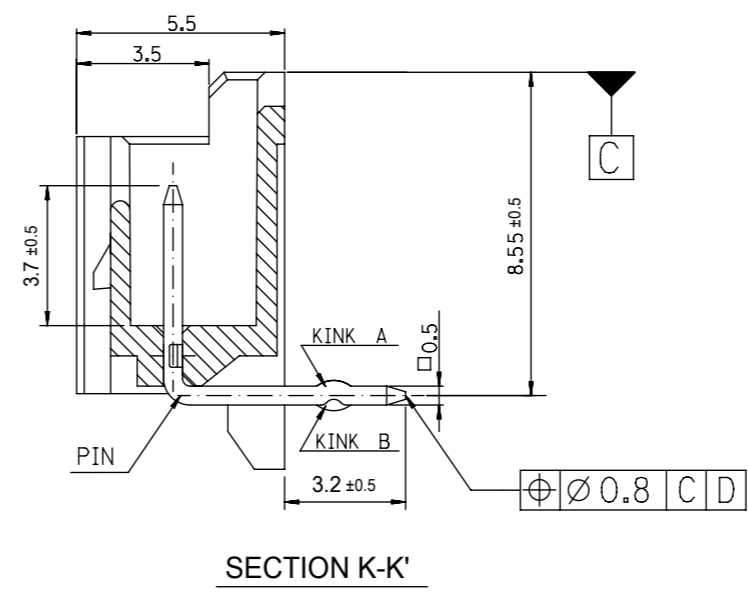
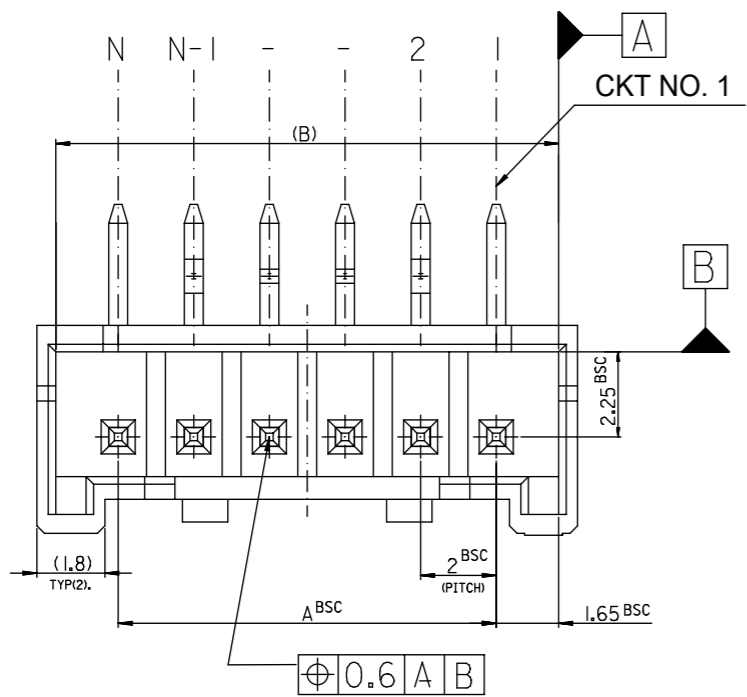
- NOTES**
- MATERIAL : WAFER - UNFILLED POLYAMIDE, UL94V-0
PIN - BRASS
 - FINISHES : PIN - Tin(Sn) 1.0~3.0µm OVERALL
Cu 1.5~3.75µm OVERALL
 - PRODUCT SPECIFICATION : PS-35507-003
 - MATES WITH : HOUSING - 35507-**0*
TERMINAL - 50212-8000
 - KINK

CKT NO / CKT	1	2	3
2 CKT	NONE KINK		
3 CKT	A	B	A

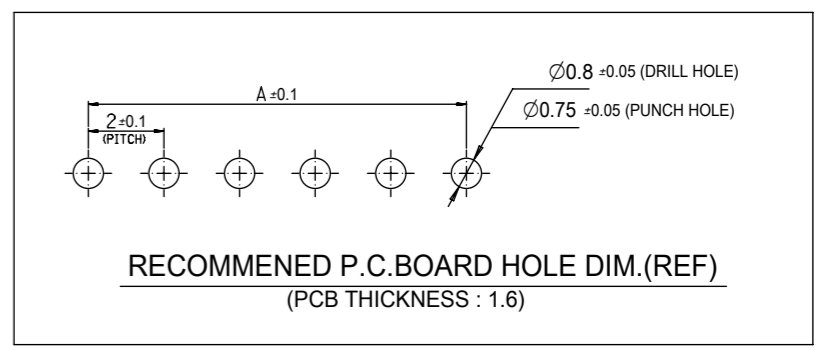
9.7	8.3	7.3	4	35363036*	35363-036*	3
7.7	6.3	5.3	2	35363026*	35363-026*	2
(D)	(C)	(B)	A	MATERIAL NO.	ENG. NO.	CKT

30 over	±0.3	THIS DRAWING CONTAINS INFORMATION THAT IS PROPRIETARY TO MOLEX ELECTRONIC TECHNOLOGIES, LLC AND SHOULD NOT BE USED WITHOUT WRITTEN PERMISSION. DIMENSION UNITS: mm SCALE: 5:1 GENERAL TOLERANCES (UNLESS SPECIFIED): ANGULAR TOL ± ° 4 PLACES ± 3 PLACES ± 2 PLACES ± 1 PLACE ± 0 PLACES ± DRAFT WHERE APPLICABLE MUST REMAIN WITHIN DIMENSIONS	CURRENT REV DESC: REVISED PLATING THICKNESS UNITS EC NO: 663425 DRWN: KSUTAR 2021/04/29 CHK'D: SCHONG03 2021/05/11 APPR: JBJIN 2021/05/12 INITIAL REVISION: DRWN: DYJANG 2004/09/01 APPR: CHANGWOOLEE 2004/09/02	<p>2.0 W/B WAFER R/A ASS'Y -LEAD FREE-</p> <p>PRODUCT CUSTOMER DRAWING</p>		
10 over 30 under	±0.25					
10 under	±0.2					
ANGLE	±3°					
GENERAL TOLERANCE						
DOCUMENT STATUS: P1 RELEASE DATE: 2021/05/12 06:31:29		THIRD ANGLE PROJECTION 	DRAWING: A3-SIZE SERIES: 35363	MATERIAL NUMBER: SEE TABLE CUSTOMER: GENERAL MARKET	DOCUMENT NUMBER: SD-35363-002 DOC TYPE: PSD DOC PART: 002 REVISION: D3	SHEET NUMBER: 1 OF 1

LEAD FREE



LEGEND	
SD-35363-***	6 * COLOR
CKT NO.	
LEAD FREE	
0	: NATURAL
1	: BLACK
2	: RED
3	: YELLOW
4	: BLUE
5	: GREEN



NOTES

- MATERIAL : WAFER - UNFILLED POLYAMIDE, UL94V-0
PIN - BRASS
- FINISHES : PIN - Tin(Sn) 1.0~3.0m OVERALL
Cu 1.5~3.75m OVERAL
- PRODUCT SPECIFICATION : PS-35507-003
- MATES WITH : HOUSING - 35507-**0*
- TERMINAL - 50212-8000
- KINK

CKT	CKT NO	1	2	3	4	N-3	N-2	N-1	N
20	-	A	B	-	-	B	A	-	

42.3	41.3	38	35363206*	35363-206*	20
(C)	(B)	A	MATERIAL NO.	ENG. NO.	CKT

<p>SYMBOLS</p> <p>▽ = 0</p> <p>▽ = 0</p> <p>▽ = 0</p> <p>▽ = 0</p> <p>▽ = 0</p> <p>▽ = 0</p> <p>▽ = 0</p> <p>▽ = 0</p> <p>▽ = 0</p> <p>▽ = 0</p>	<p>THIS DRAWING CONTAINS INFORMATION THAT IS PROPRIETARY TO MOLEX ELECTRONIC TECHNOLOGIES, LLC AND SHOULD NOT BE USED WITHOUT WRITTEN PERMISSION</p> <p>SCALE: 5:1</p> <p>GENERAL TOLERANCES (UNLESS SPECIFIED)</p> <p>ANGULAR TOL ± °</p> <p>4 PLACES ±</p> <p>3 PLACES ±</p> <p>2 PLACES ±</p> <p>1 PLACE ±</p> <p>0 PLACES ±</p> <p>DRAFT WHERE APPLICABLE MUST REMAIN WITHIN DIMENSIONS</p>	<p>CURRENT REV DESC:</p> <p>EC NO: 605910</p> <p>DRWN: JSSHIN 2018/10/11</p> <p>CHK'D: SHCHU 2018/10/15</p> <p>APPR: YSKIM02 2018/10/16</p> <p>INITIAL REVISION:</p> <p>DRWN: DYJANG 2004/09/01</p> <p>APPR: CHANGWOOLEE 2004/09/02</p>	<p>molex</p> <p>2.0 W/B WAFER R/A ASS'Y -LEAD FREE-</p> <p>PRODUCT CUSTOMER DRAWING</p> <p>DOCUMENT NUMBER: SD-35363-002</p> <p>DOC TYPE: PSD</p> <p>DOC PART: 003</p> <p>REVISION: D2</p> <p>MATERIAL NUMBER: SEE TABLE</p> <p>CUSTOMER: GENERAL MARKET</p> <p>SHEET NUMBER: 1 OF 1</p>						
	<table border="1"> <tr> <td>30 over</td> <td>±0.3</td> </tr> <tr> <td>10 over 30 under</td> <td>±0.25</td> </tr> <tr> <td>10 under</td> <td>±0.2</td> </tr> <tr> <td>ANGLE</td> <td>±3°</td> </tr> </table> <p>GENERAL TOLERANCE</p>	30 over	±0.3	10 over 30 under	±0.25	10 under	±0.2	ANGLE	±3°
30 over	±0.3								
10 over 30 under	±0.25								
10 under	±0.2								
ANGLE	±3°								

DOCUMENT STATUS	RELEASE DATE
-----------------	--------------