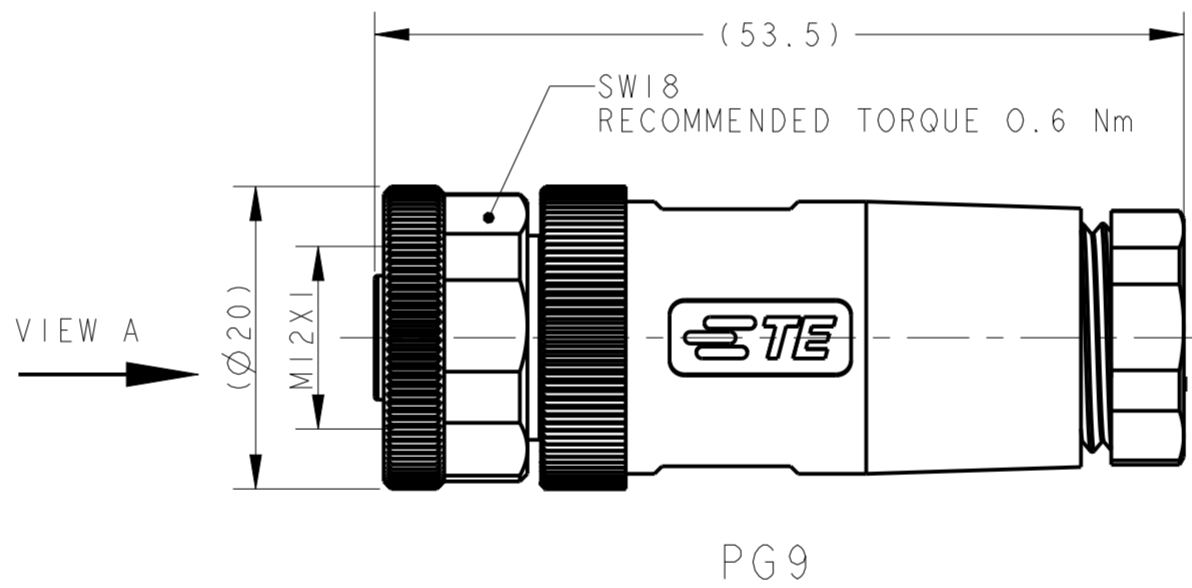
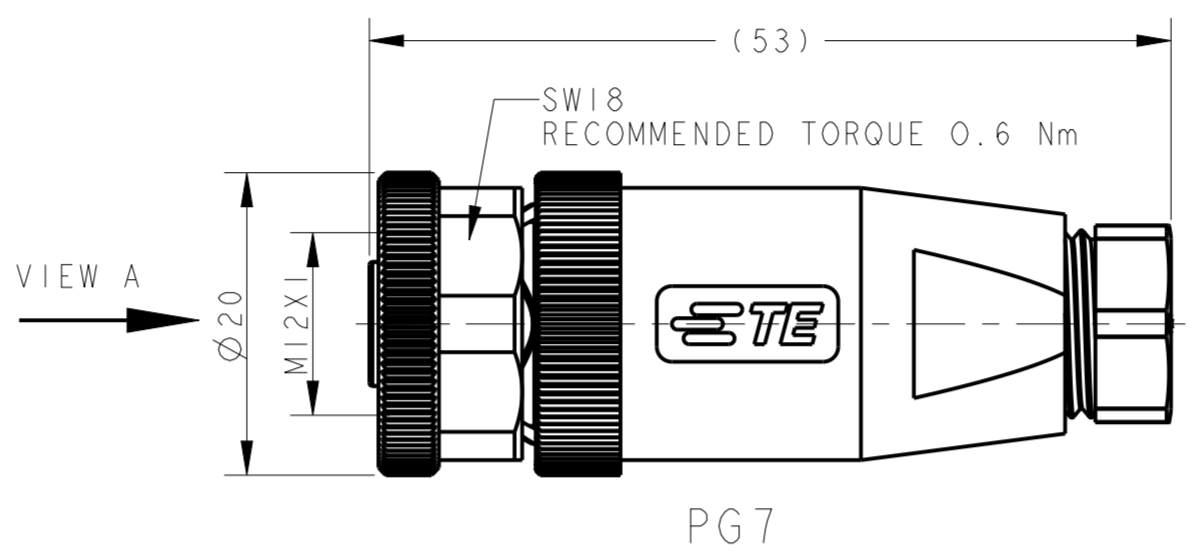


THIS DRAWING IS UNPUBLISHED. RELEASED FOR PUBLICATION 20
 © COPYRIGHT 20 BY - ALL RIGHTS RESERVED.

REVISIONS				
P	LTR	DESCRIPTION	DATE	APVD
A		INITIAL RELEASE	08JUN2021	BP CW

TECHNICAL DATA	T411000X02X-000	T411000X03X-000	T411000X04X-000	T411000X05X-000	T411000X08X-000
RATED VOLTAGE	250V	250V	250V	60V	30V
RATED CURRENT	4A	4A	4A	4A	2A
POLLUTION DEGREE	3	3	3	3	3
OVERVOLTAGE CATEGORY	II	II	II	II	II
MATERIAL GROUP	II	II	II	II	II
INSULATION RESISTANCE	>100MΩ	>100MΩ	>100MΩ	>100MΩ	>100MΩ
DEGREE OF PROTECTION	IP67	IP67	IP67	IP67	IP67
OPERATION TEMPERATURE	-40~85°C	-40~85°C	-40~85°C	-40~85°C	-40~85°C

- NOTE:
- MATERIAL:
 ITEM NO.1:NUT -BRASS
 ITEM NO.2:HOUSING -PA
 ITEM NO.3:CONTACT -BRONZE
 ITEM NO.4: HOUSING BODY: -PBT+GF
 - CONTACT FINISH:
 GOLD OVER NICKEL OR SILVER OVER NICKEL
 - CABLE WIRES:
 18AWG/0.75mm² Max. FOR 2-5 PINS
 20AWG/0.50mm² Max. FOR 8 PINS
 - ALLDIMENSIONS ARE FOR NOMINAL REFERENCE ONLY UNLESS OTHERWISE STATED
 - PACKAGEING: 1 PIECE IN A BAG
 - PN INFORMATION



T411000XXXX-000

CONTACT FINISH:
 1: GOLD OVER NICKEL
 2: SILVER OVER NICKEL

NUMBERS OF PINS:
 02: 2 PINS
 03: 3 PINS
 04: 4 PINS
 05: 5 PINS
 08: 8 PINS

CABLE OUTLET:
 1: PG7(CABLE FEED: 4-6mm)
 2: PG9(CABLE FEED: 6-8mm)

BRAND:
 T: W/ TE LOGO

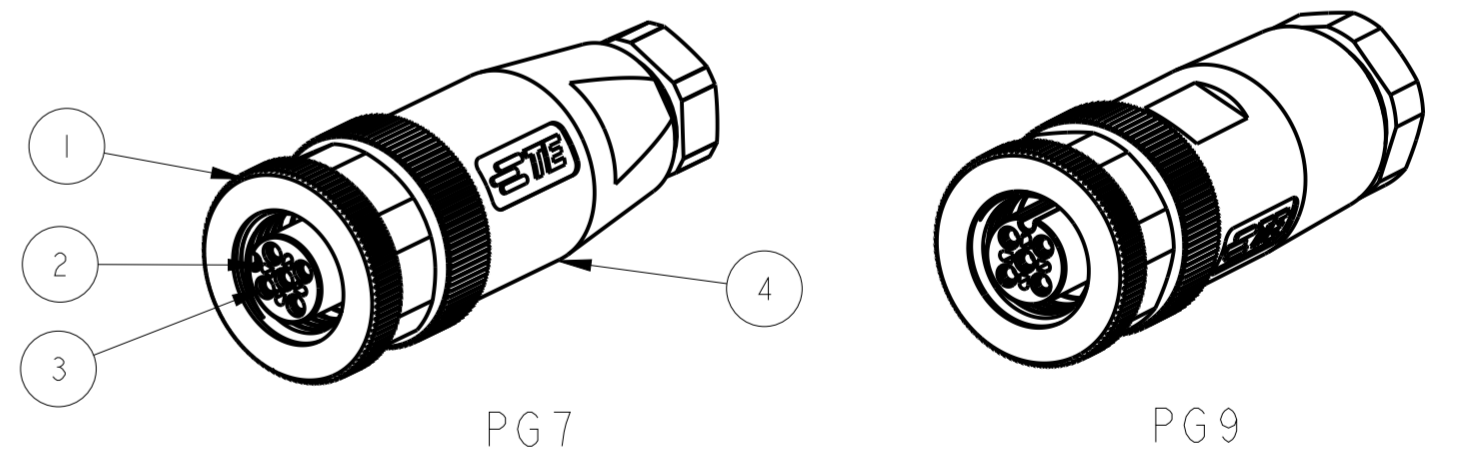
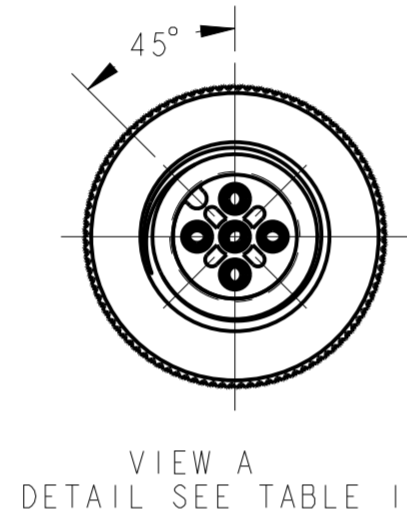


TABLE I PIN ARRANGEMENT A-CODE		
T411000X02X-000	T411000X03X-000	T411000X04X-000
T411000X05X-000	T411000208X-000	

DESCRIPTION	TE PN	ENTRELEC PN
M12-FS-4CON-PG7-MU	T4110001041-000	ISET310205R0000
M12-FS-5CON-PG7-MU	T4110001051-000	ISET310207R0000
M12-FS-4CON-PG9-MU	T4110002041-000	ISET310215R0000
M12-FS-5CON-PG9-MU	T4110002051-000	ISET310217R0000
M12-FS-8CON-PG9-MU	T4110002081-000	ISET310219R0000

THIS DRAWING IS A CONTROLLED DOCUMENT.

DWN: BLAZE PENG 08JUN2021
 CHK: KEVIN HUANG 08JUN2021
 APVD: CHRIS WANG 08JUN2021

ENTRELEC
 Electrical Solutions

NAME: M12 FEMALE, A CODE, STRAIGHT UNSHIELDED CONNECTOR SCREW TERMINAL

PRODUCT SPEC: 108-106140
 APPLICATION SPEC: 114-137144

SIZE: A2 CAGE CODE: - DRAWING NO: C-ISET311F01R0000

MATERIAL: - DIMENSIONS: mm TOLERANCES UNLESS OTHERWISE SPECIFIED: 0 PLC ±0.2, 1 PLC ±0.2, 2 PLC ±0.2, 3 PLC ±, 4 PLC ±, ANGLES ±, FINISH -

CUSTOMER DRAWING SCALE: 1:1 SHEET OF REV A