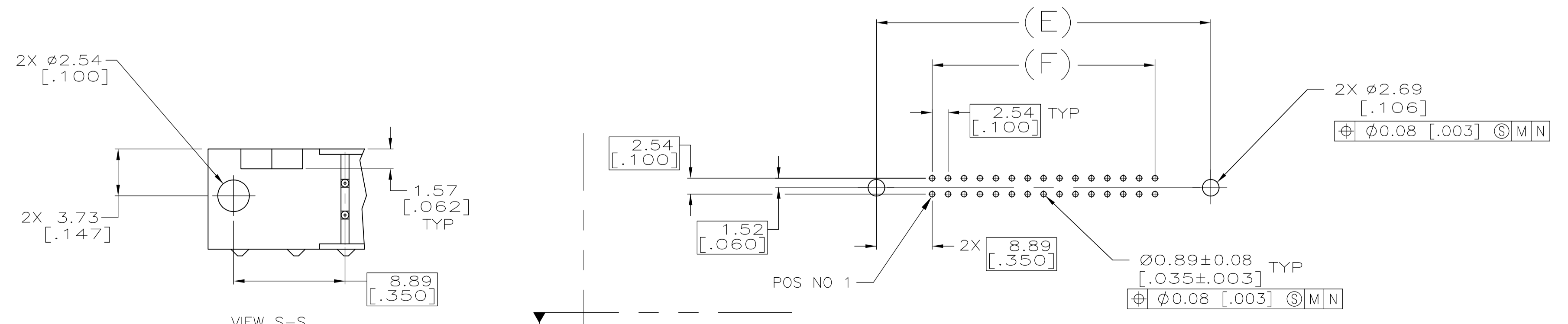
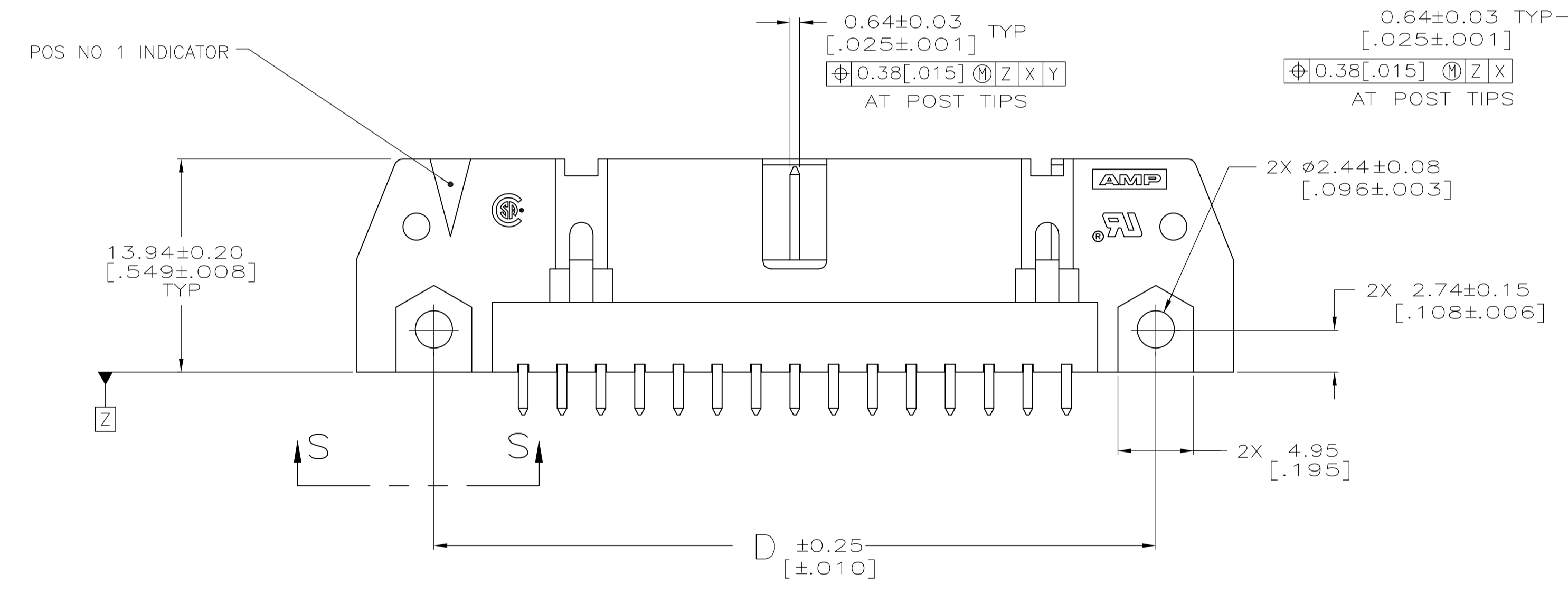
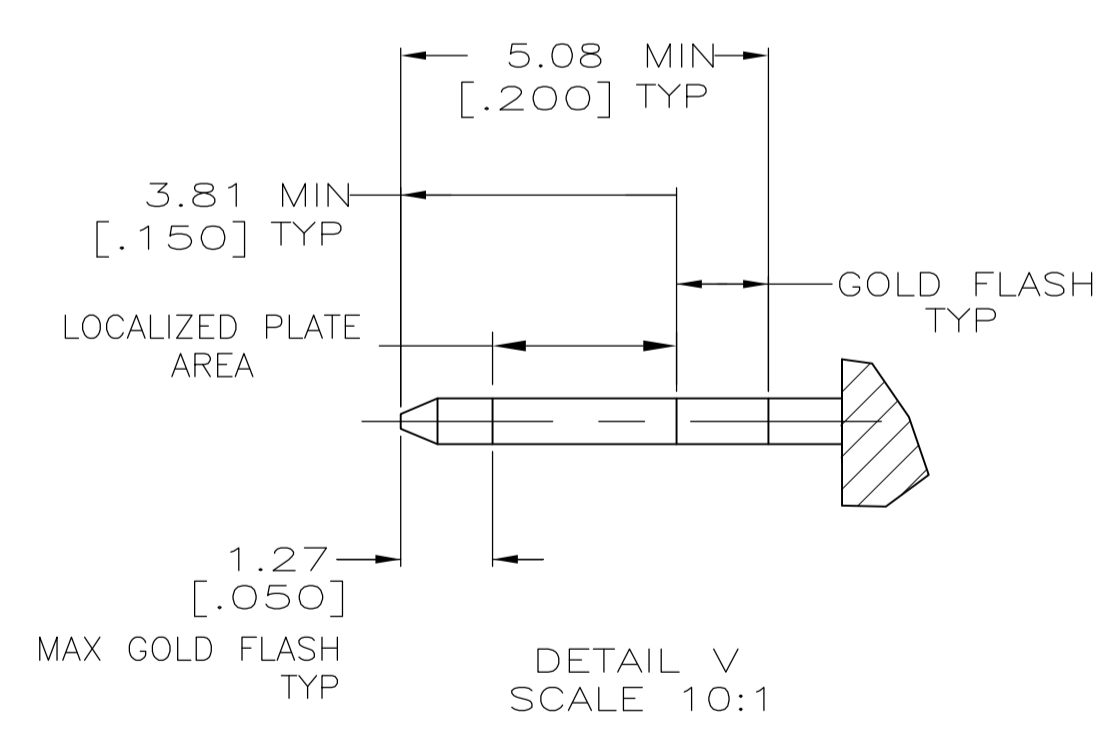
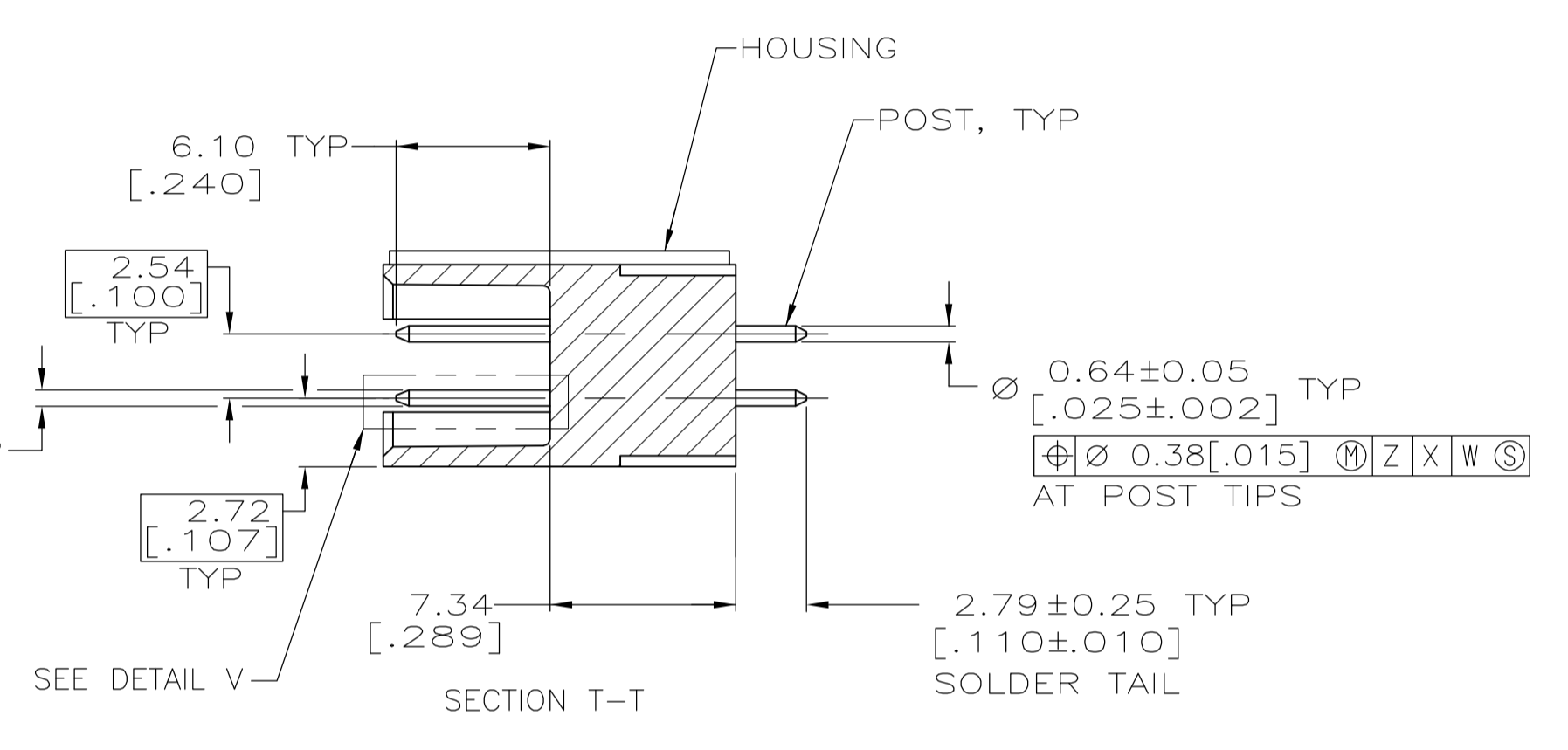
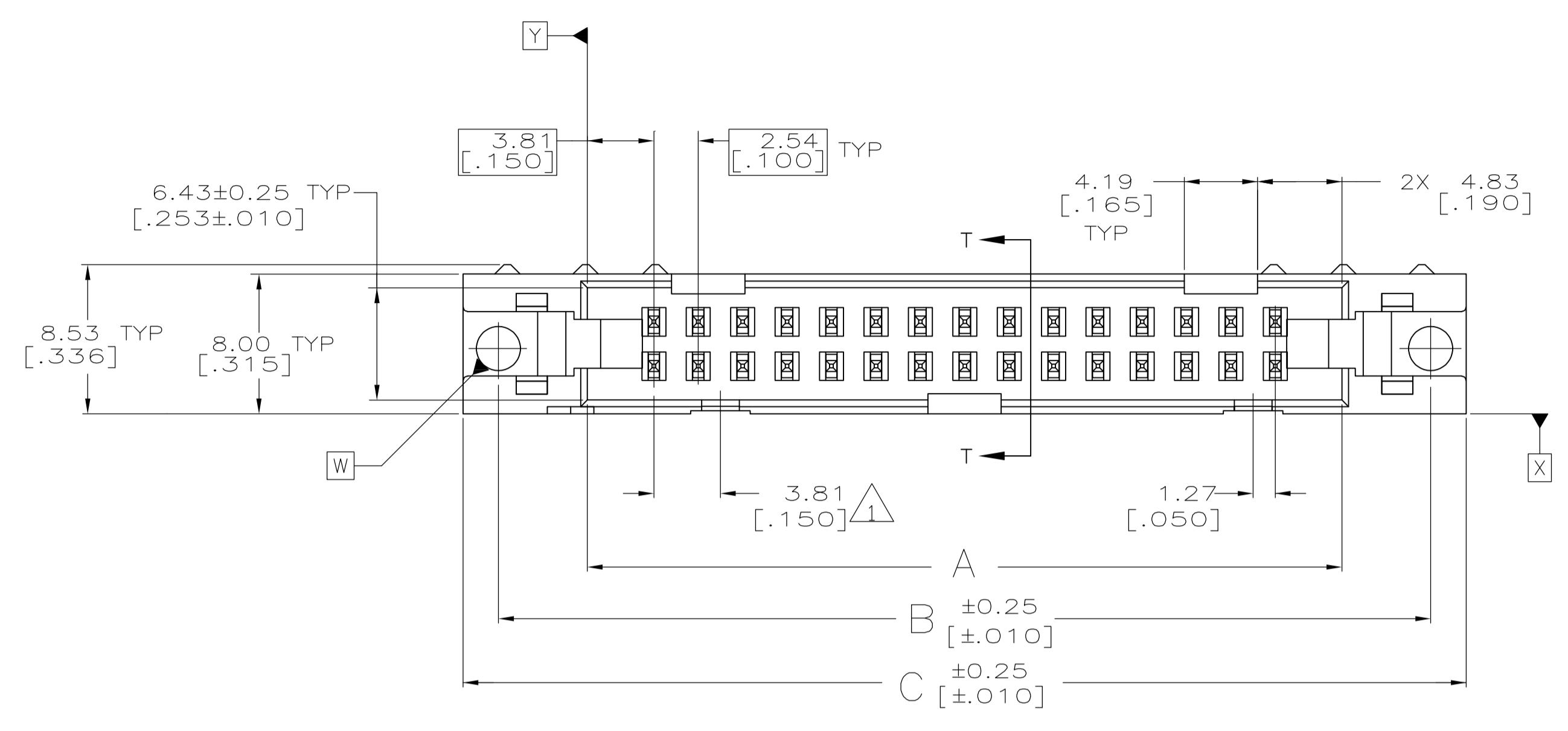


- △ COORDINATE DIMENSION APPLIES FROM BASIC LOCATION.
- 2. RECOMMENDED PRINTED CIRCUIT BOARD THICKNESS IS 1.57 [.062].
- △ MATERIAL:  
HOUSING: GLASS FILLED NYLON OR POLYESTER,  
94V-0 RATED, BLACK.  
POSTS: BRASS
- △ POSTS:  
0.38μm [.000015] MIN GOLD PLATE ON THE LOCALIZED PLATE AREA,  
2.54μm [.000100] MIN TIN PLATE ON THE SOLDER-TAILS,  
1.27μm [.000050] MIN NICKEL UNDERPLATE ON THE ENTIRE POST.
- △ DATUMS M & N TO BE ESTABLISHED BY CUSTOMER.
- △ DEVELOPMENT PART NUMBER - NOT RELEASED FOR PRODUCTION.



53.34 [2.100]	71.12 [2.800]	65.02 [2.560]	75.18 [2.960]	71.12 [2.800]	60.96 [2.400]	44	1-2169766-3
60.96 [2.400]	78.74 [3.100]	72.64 [2.860]	82.80 [3.260]	78.74 [3.100]	68.58 [2.700]	50	1-2169766-0
F	E	D	C	B	A	NO OF POS	PART NUMBER

THIS DRAWING IS A CONTROLLED DOCUMENT. DWN C. VALENTINE 07FEB2011  
 CHK S. BOLASH 07FEB2011  
 APVD S. BOLASH 07FEB2011

**Tyco Electronics** Tyco Electronics Corporation  
 Harrisburg, PA 17105-3608

NAME: HEADER ASSY, UNIVERSAL, AMP-LATCH  
 PRODUCT SPEC: 108-40018  
 APPLICATION SPEC: -

SIZE: A1 CAGE CODE: 00779 DRAWING NO: 2169766  
 WEIGHT: -  
 MATERIAL: - FINISH: -

CUSTOMER DRAWING SCALE: 4:1 SHEET: 1 OF 1 REV: A