

PT NO	PARTS NAME	CAT. NO.	MATERIAL	Q'TY	NOTE
1	REEL	—	CARDBOARD OR POLYSTYRENE	1	—
2	PLASTIC (EMBOSS) TAPE	—	PET RESIN OR PP RESIN	—	COLOR : TRANSPARENCY
3	COVER	—	POLYESTER	—	COLOR : TRANSPARENCY
4	CONNECTOR	BTFW_R-3RSTLF	SEE ATTACHED DWG	700	

**DIMENSIONS**

CATALOG NUMBER	NO OF CONTACT ONLY EVEN POS)	A	B	C
BTFW10~14R-3RSTE1LF	10~14	38.4	32	28.4
BTFW16~24R-3RSTE1LF	16~24	50.4	44	40.4
BTFW26~30R-3RSTE1LF	26~30	62.4	56	52.4

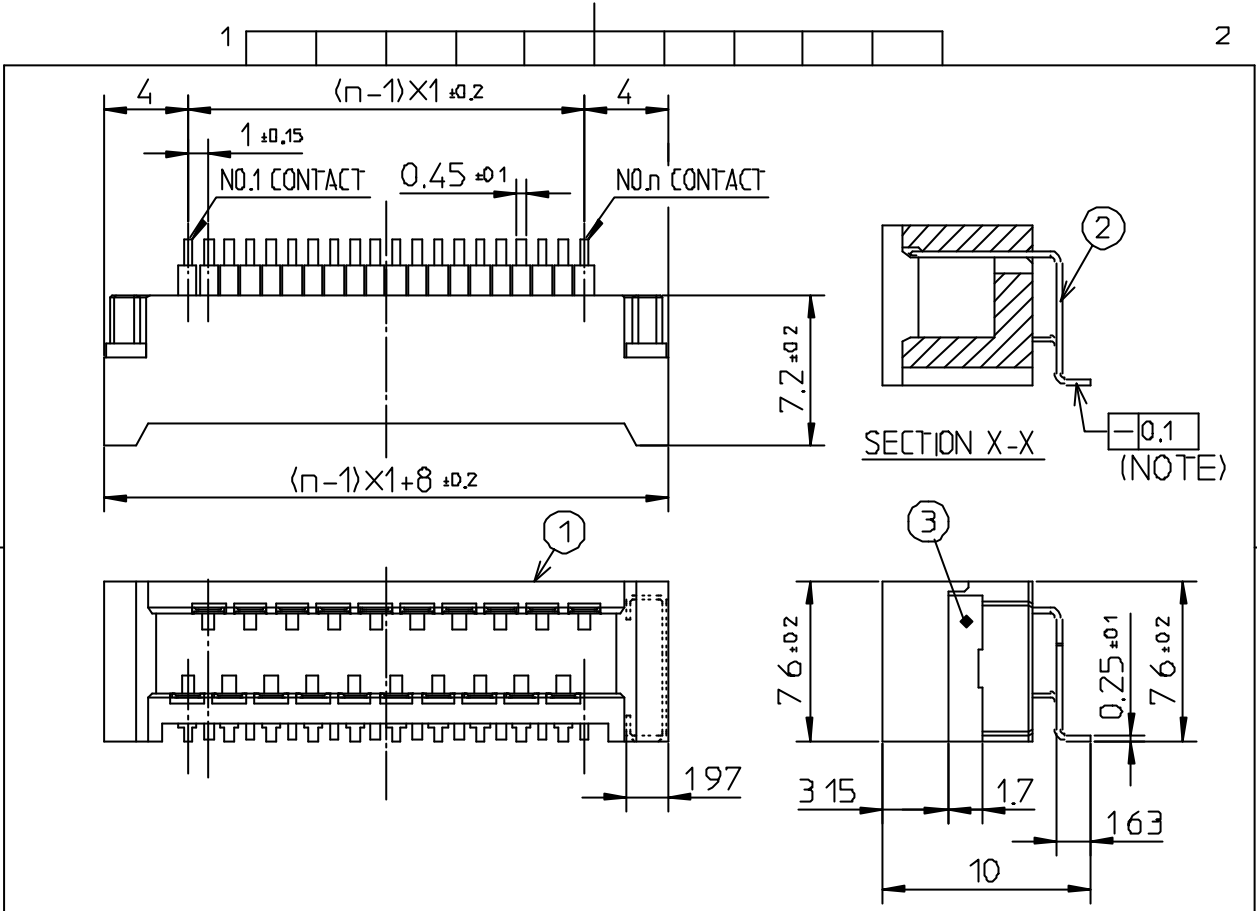
- NOTES**
- THIS IS PLASTIC TAPE PACKAGED CONNECTOR USED FOR BOARD TO BOARD COPE WITH AUTOMATIC MOUNTING (SMT)
  - SEE JIS C 0806 (PACKING OF ELECTRONIC COMPONENTS ON CONTINUOUS TAPES (SURFACE MOUNTING DEVICES)) FOR SHAPE AND DIMENSIONS OF PLASTIC (EMBOSS) TAPE AND REEL
  - THIS DIMENSION IS PORTION OF THE CORE.

mat'l. code		surface ISO 1302 ✓		tolerance ISO 406 ISO 1101		projection ⊕		product family 590F	
lfr		date		tolerances unless otherwise specified		title		PLASTIC TAPE PACKAGED BOARD TO BOARD RECEPTACLE CONNECTOR (LEAD FREE) (CAT No BTFW__R-3RSTE1LF)	
A 05-0470 MK Aug 2, 05		Jan 15, 07		angles		linear		scale	
B 07-0021 MK Jan 15, 07		±5°		±5		← →		dwg no sheet 1 of 1 size	
		dr K.Higuchi Jan 15, 07				FCJ		JSA 96634 A4	
		engr M.Koga Jan 15, 07						type Product Customer Drawing	
		chr K.Higuchi Jan 15, 07							
		appd M.Koga Jan 15, 07							
sheet index		revision sheet						Rev B	



FCJconnect.com

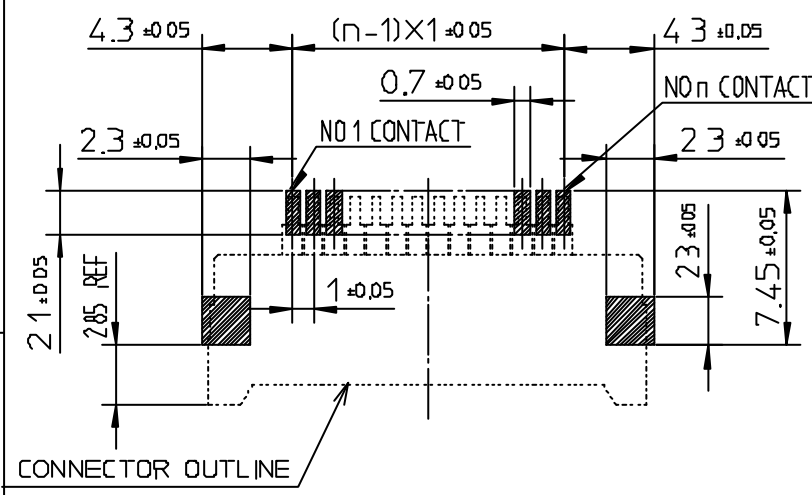
Copyright FCJ



PT NO	PARTS NAME	MATERIAL	Q'TY	NOTE
1	HOUSING	GLASS FILLED THERMOPLASTIC RATED (UL94V-0)	1	COLOR BRACK
2	CONTACT	BRASS	n	PLATING TN (LEAD FREE)
3	MOUNTING PLATE	BRASS	2	PLATING TN (LEAD FREE)

RECOMMENDED PC BOARD LAYOUT  
(COMPONENT SIDE)

n: NO OF CONTACTS  
(10 TO 30, ONLY EVEN POS)



NOTE  
1 Flatness for contact terminal and mounting plate must be within 0.1.  
2 This product meets European Union Directives and other country regulations as described in GS-22-008

mat'l code		surface	tolerance	projection	product family
		ISO 1302 ✓	ISO 406 ISO 1101		590F
ltr	ecn no	dr	date	title	
A	J05-0470	M.K	Aug 2, 05	FLOATING BOARD TO BOARD RECEPTACLE CONNECTOR (LEAD FREE)	
B	J07-0021	M.K	Jan 15, 07	(CAT No.BTFW_R-3RSTLF)	
		angles	linear	scale	
			±0.3		
		dr	K Higuchi		dwg no
		enr	M Koga		sheet 1 of 1
		ctr	K Higuchi		size
		appd	M Koga		A4
sheet index	revision sheet				type
					Product Customer Drawing
					Rev
					B

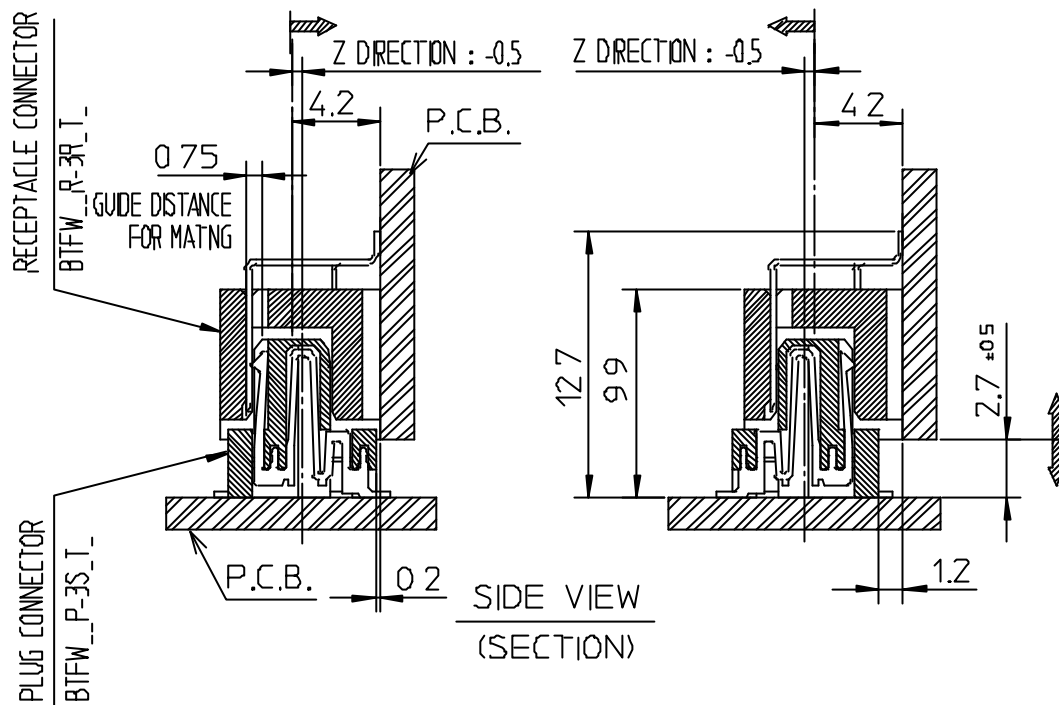


FCJconnect.com

Copyright FCJ

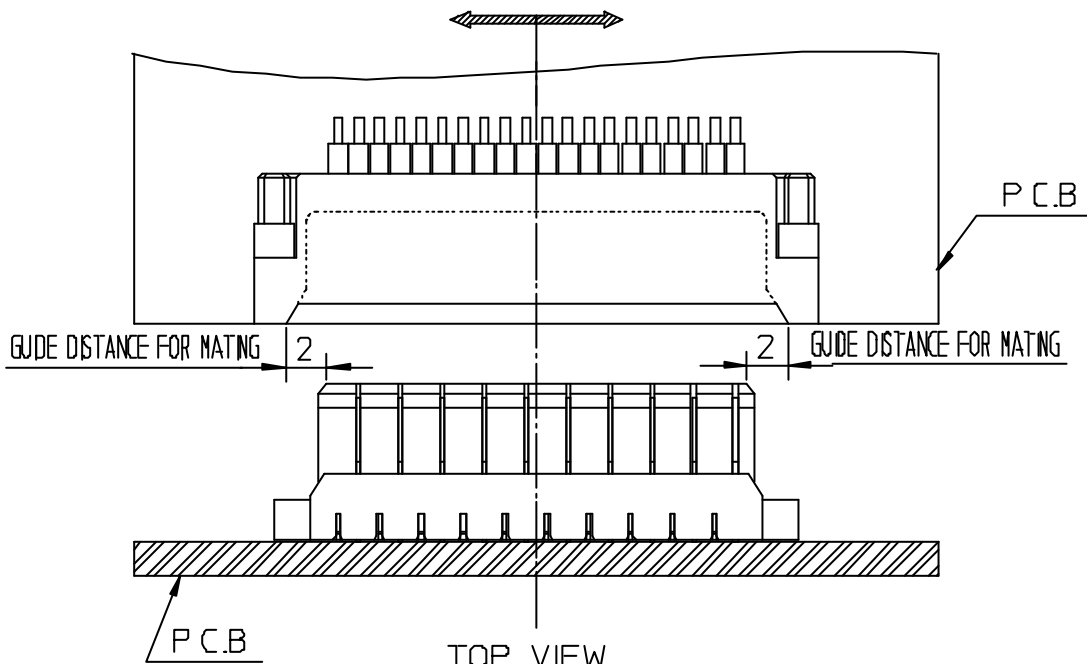
THIS FIGURE SHOW THE CONNECTOR MATNG BY MAKING CENTER AS CRITERIA

FLOATING ALLOWANCE MATING DIRECTION  $\pm 0.5$   
 PITCH DIRECTION  $\pm 0.8$   
 Z DIRECTION :  $\pm 0.5$



MATING DIRECTION :  $\pm 0.5$

PITCH DIRECTION :  $\pm 0.8$



TOP VIEW

mat'l code		surface <input checked="" type="checkbox"/> ISO 1302		tolerance <input checked="" type="checkbox"/> ISO 406 <input type="checkbox"/> ISO 1101		projection		product family 590F		
litr ecn no		dr date		tolerances unless otherwise specified		title		CROSS SECTION OF MATED CONDITION (CAT.No.BTFW_P-3S_T_ BTFW_R-3R_T_)		
AA	J04-D331	H.T	Oct,13,04	angles	linear	$\pm 0.3$	scale	dwg no	sheet 1 of 1	
AB	J05-D470	M.K	Aug,2,05							
AC	J07-0021	M.K	Jan15,07	dr	K Higuchi	Jan15,07		type	Product Customer Drawing	
				enr	M.Koga	Jan15,07				
				chr	K Higuchi	Jan15,07				
				appd	M.Koga	Jan15,07				
sheet index	revision sheet									Rev AC



FCIconnect.com

Copyright FCI