

THIS DRAWING IS UNPUBLISHED. RELEASED FOR PUBLICATION NOV ,2005.
 © COPYRIGHT 2005 BY TYCO ELECTRONICS CORPORATION. ALL RIGHTS RESERVED.

LOC	DIST	REVISIONS			
P	LTR	DESCRIPTION	DATE	DWN	APVD
	C	ECR-05-016219	23NOV05	JMS	FWK
	D	ECR-08-022235	29AUG08	PK	PB

NOTES:

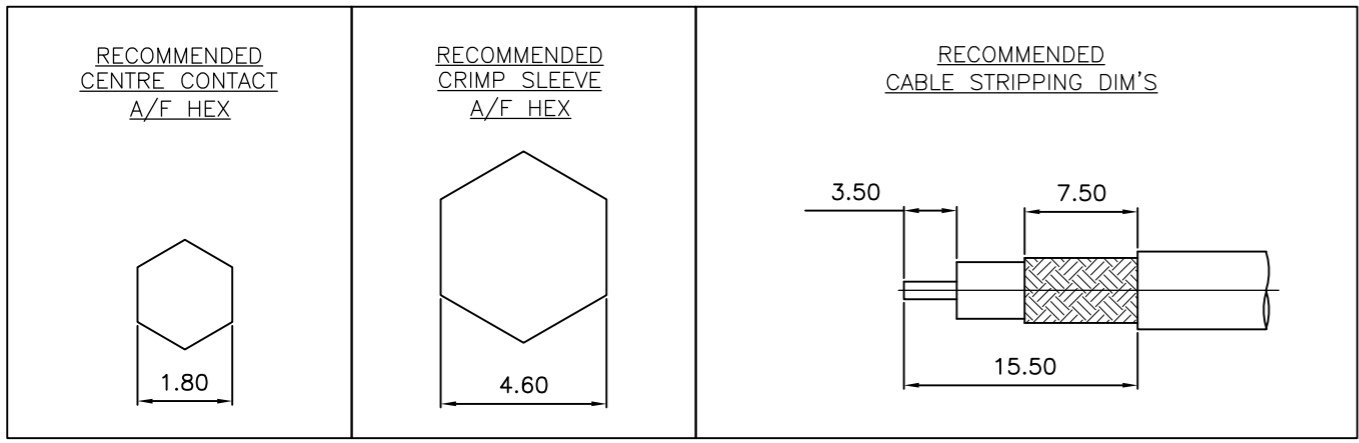
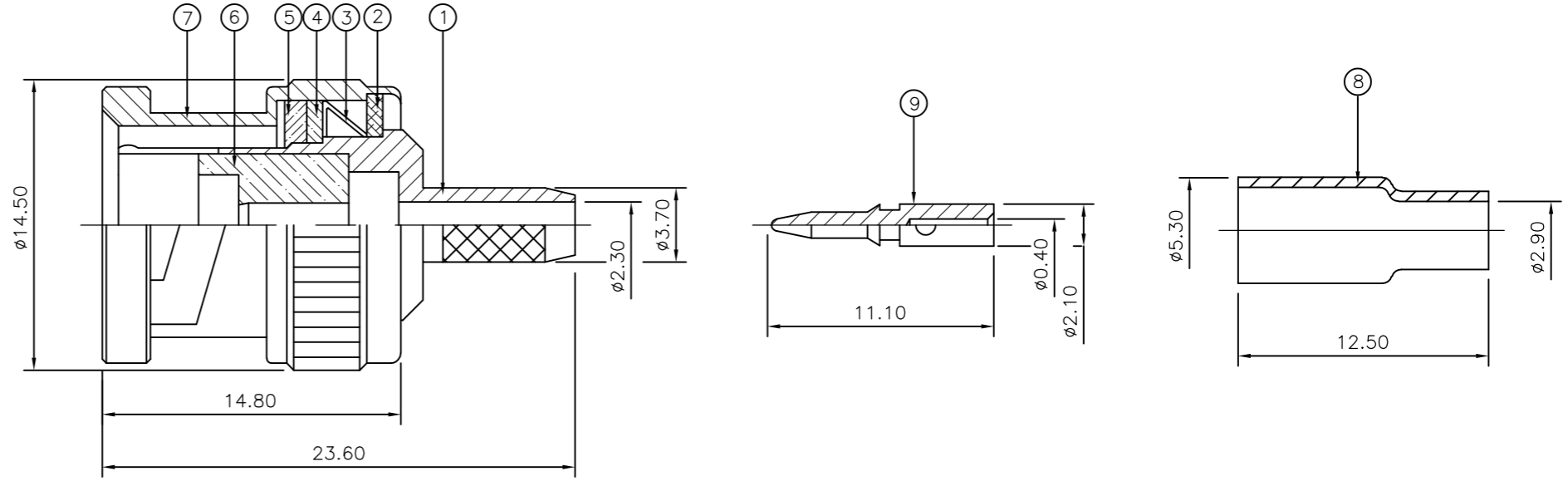
- 1 PACK IN ACCORDANCE WITH AMP SPEC 107-3275
- 2 100 TRAY PACK IN ACCORDANCE WITH AMP SPEC 107-3275
- 3 Ag PLATING
- 4 THIS ITEM MUST BE WHITE

- 5 HAND TOOL : 9-1478240-0
- 6 DIE SET : 9-1478245-0

7 ELECTRICAL CHARACTERISTICS	
FREQUENCY RANGE:	DC - 2 GHz
NOMINAL IMPEDANCE:	75 Ohm
INSULATION RESISTANCE:	5000 MOhm
WORKING VOLTAGE:	500 Volts RMS at Sea Level
DIELECTRIC WITHSTAND VOLTAGE:	1500 Volts RMS Max
CONTACT RESISTANCE:	
CENTRE CONTACT:	1.50 mOhm Max
OUTER CONTACT:	0.20 mOhm Max
VSWR @ 2GHz:	1.20:1 Max
INSERTION LOSS dB @ x 2 GHz:	0.20 Max

8 MECHANICAL CHARACTERISTICS	
COUPLING RETENTION FORCE:	445N Min
CABLE RETENTION FORCE:	85N Min
DURABILITY:	500 Cycles Min

9 ENVIRONMENTAL CHARACTERISTICS	
OPERATING TEMPERATURE:	-65 to +165 DegC



QTY	QTY PER ASSY	QTY PER ASSY	MATERIAL	DESCRIPTION	ITEM
1	1	1	BRASS	CONTACT	9
1	1	1	BRASS	FERRULE	8
1	1	1	BRASS	SHELL	7
1	1	1	PTFE	INSULATION	6
1	1	1	SILICON RUBBER	GASKET	5
1	1	1	BRASS	WASHER	4
1	1	1	SPRING STEEL	SPRING	3
1	1	1	BRASS	WASHER	2
1	1	1	BRASS	BODY	1
6--0	1--0				

THIS DRAWING IS A CONTROLLED DOCUMENT.		DWN	J.SANDWELL	23NOV05	Tyco Electronics Corporation Bideford EX39 4HE			
DIMENSIONS: mm		CHK	S.PARLOW	23NOV05				
TOLERANCES UNLESS OTHERWISE SPECIFIED:		APVD	F.WHEELER-KING	23NOV05	NAME BNC STRAIGHT PLUG CRIMP 75 OHM RG179B/U, 187A/U, URM111			
0 PLC ± -		PRODUCT SPEC	108-3435					
1 PLC ± -		APPLICATION SPEC	411-3247					
2 PLC ± -		WEIGHT	-		SIZE	CAGE CODE	DRAWING NO	RESTRICTED TO
3 PLC ± -		CUSTOMER DRAWING			A3	00779	C-1337432	-
4 PLC ± -					SCALE	SHEET	OF	REV
ANGLES ± -					NTS	1	1	D
FINISH -								