



soberton inc.

SP DYNAMIC SPEAKER UNIT

Acoustic Product Specification

Product Number: SP-5708



Release | Revision: A/2018

CONTENTS

This document contains the technical specifications for the dynamic speaker unit.

Page 1
Speaker Electroacoustic Characteristics

General Specifications

Page 2
Reliability Tests

Page 3
Measuring Method (Speaker Mode)

Standard Test Condition of Speakers

Page 4
Frequency Response Curve

Page 5
Dimensions

Page 6
Packing

Dynamic Speaker Electroacoustic Characteristics

Sound Pressure Level

96±3dB (0.1W 0.1M) @ 0.6, 0.8, 1.0, 1.2KHz in average
Test Set Up: Measuring conditions and procedures shown in Figure 1

Frequency Response Curve

As shown in Figure 3

Frequency Range

F0 Hz ~ 20 KHz

Resonance Frequency

500Hz±20% at 1.0V

Input Power (Nominal and Maximum)

Rated Noise Power 1.5W

Short Term Max Power: 2.0W must be normal at a white noise for one minute

Distortion

Less than 5% at 1KHz (input 1.5W)

Buzz & Rattle, Etc.

Must be normal sine signal at 3.46V from F0 Hz to 20KHz sweeping

Polarity

When a positive D.C current is applied to terminal marked (+) diaphragm shall move forward

General Specifications

Temperature Range

Operating Temperature -20°C~+65°C

Storage Temperature -30°C~+70°C

Standard Test Conditions

Temperature 17°C ~ 25°C

Relative Humidity 45% ~ 85% (RH)

AC Impedance

8Ω±15% at 2KHz 1.0V

Dimension

ø57.0 x H8.3mm

IP Level

No rating



soberton inc.

SP DYNAMIC SPEAKER UNIT

Acoustic Product Specification

Product Number: SP-5708



Release | Revision: A/2018

CONTENTS

This document contains the technical specifications for the dynamic speaker unit.

Page 1
Speaker Electroacoustic Characteristics

General Specifications

Page 2
Reliability Tests

Page 3
Measuring Method (Speaker Mode)

Standard Test Condition of Speakers

Page 4
Frequency Response Curve

Page 5
Dimensions

Page 6
Packing

Reliability Tests

Sound pressure level of speaker difference shall be within $\pm 3\text{dB}$ after test at 0.6, 0.8, 1.0, 1.2KHz average.

High Temperature Test

High Temperature $+65\pm 3^\circ\text{C}$

Duration 96 hours

Low Temperature Test

Low Temperature $-20\pm 3^\circ\text{C}$

Duration 96 hours

Humidity Test

Temperature $+40\pm 3^\circ\text{C}$

Relative Humidity 90%~96%

Duration 96 hours

Temperature Cycle Test

Temperature -20°C $+65^\circ\text{C}$

Duration 2 hours 2 hours

Cycle 5

Drop Test

Height 1.5m

Duration 12 cycles

Vibration Test

Vibration 10Hz~55Hz~10Hz Oct/min

Amplitude 1.5mm

Duration 2 hours in each of 3 axis

Load Test

Speaker mode: White noise (EIA filter) for 96 hours @1.5W input power.



soberton inc.

SP DYNAMIC SPEAKER UNIT

Acoustic Product Specification

Product Number: SP-5708



Release | Revision: A/2018

CONTENTS

This document contains the technical specifications for the dynamic speaker unit.

Page 1
Speaker Electroacoustic Characteristics

General Specifications

Page 2
Reliability Tests

Page 3
Measuring Method (Speaker Mode)

Standard Test Condition of Speakers

Page 4
Frequency Response Curve

Page 5
Dimensions

Page 6
Packing

Measuring Method (Speaker Mode)

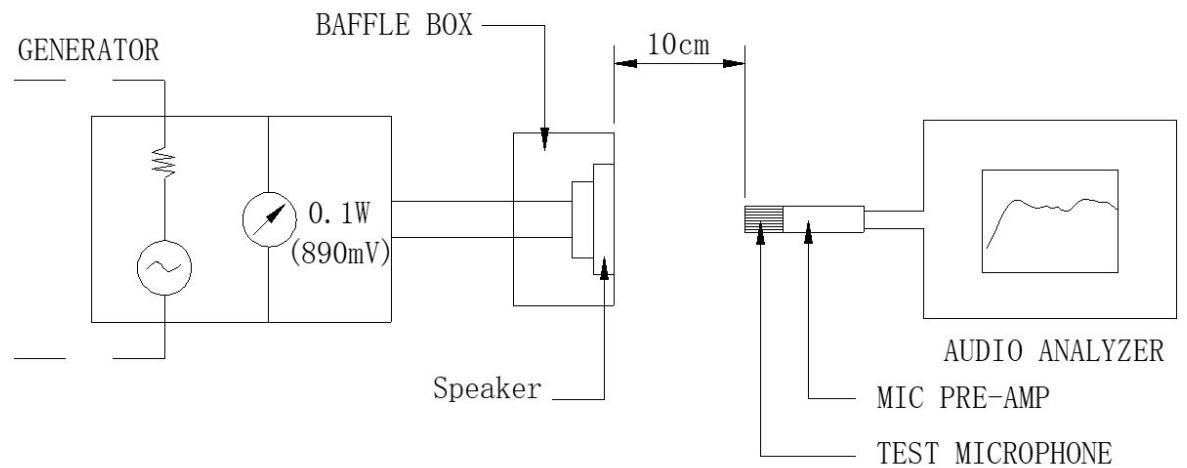
Standard Test Condition

Temperature 15 ~ 25°C

Relative humidity 45% ~ 85%

Atmospheric pressure 860hpa to 1060hpa

Standard Test Condition of Speaker (Fig. 1)





soberton inc.

SP DYNAMIC SPEAKER UNIT

Acoustic Product Specification

Product Number: SP-5708



Release | Revision: A/2018

CONTENTS

This document contains the technical specifications for the dynamic speaker unit.

Page 1
Speaker Electroacoustic Characteristics

General Specifications

Page 2
Reliability Tests

Page 3
Measuring Method (Speaker Mode)

Standard Test Condition of Speakers

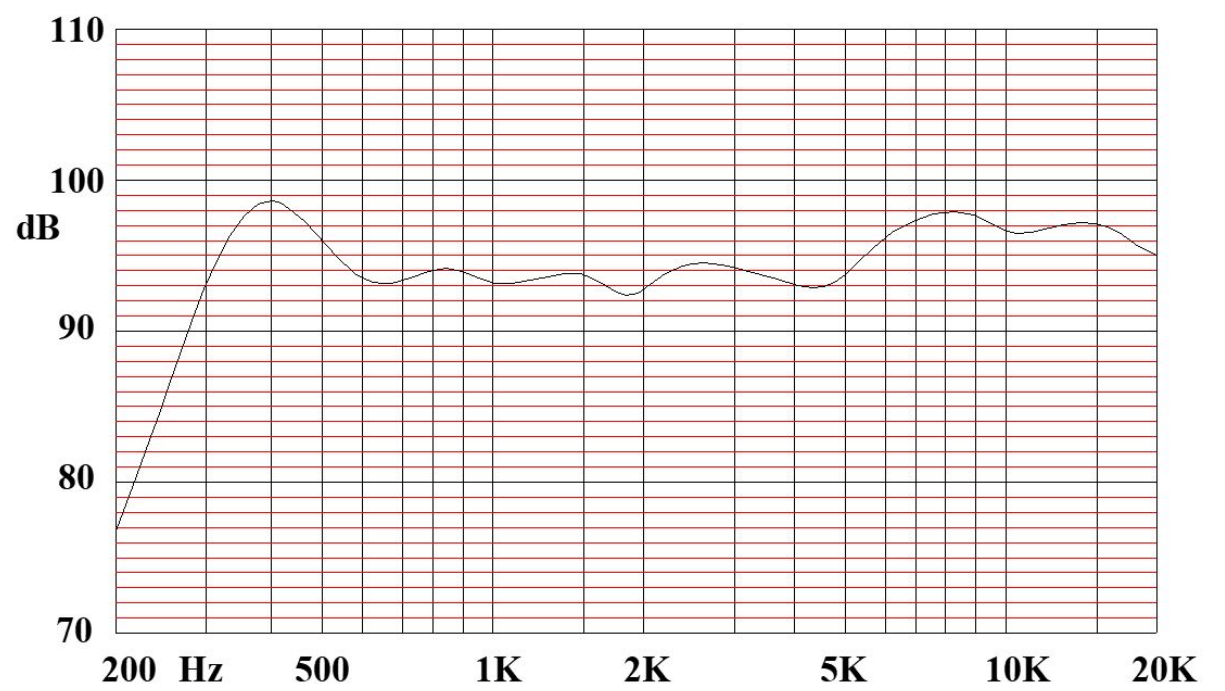
Page 4
Frequency Response Curve

Page 5
Dimensions

Page 6
Packing

Frequency Response Curve (Fig. 3)

Frequency Resonance Mage dB re 20.00μPa





soberton inc.

SP DYNAMIC SPEAKER UNIT

Acoustic Product Specification

Product Number: SP-5708



Release | Revision: A/2018

CONTENTS

This document contains the technical specifications for the dynamic speaker unit.

Page 1

Speaker Electroacoustic Characteristics

General Specifications

Page 2

Reliability Tests

Page 3

Measuring Method (Speaker Mode)

Standard Test Condition of Speakers

Page 4

Frequency Response Curve

Page 5

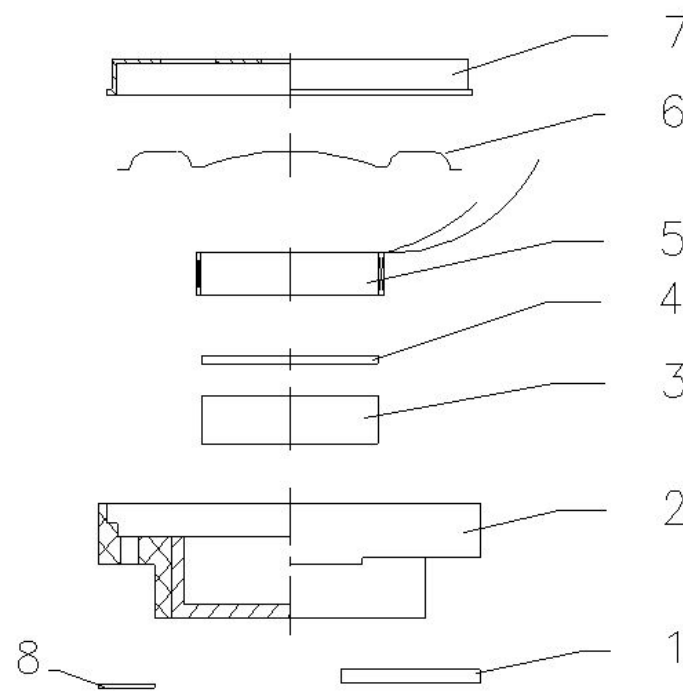
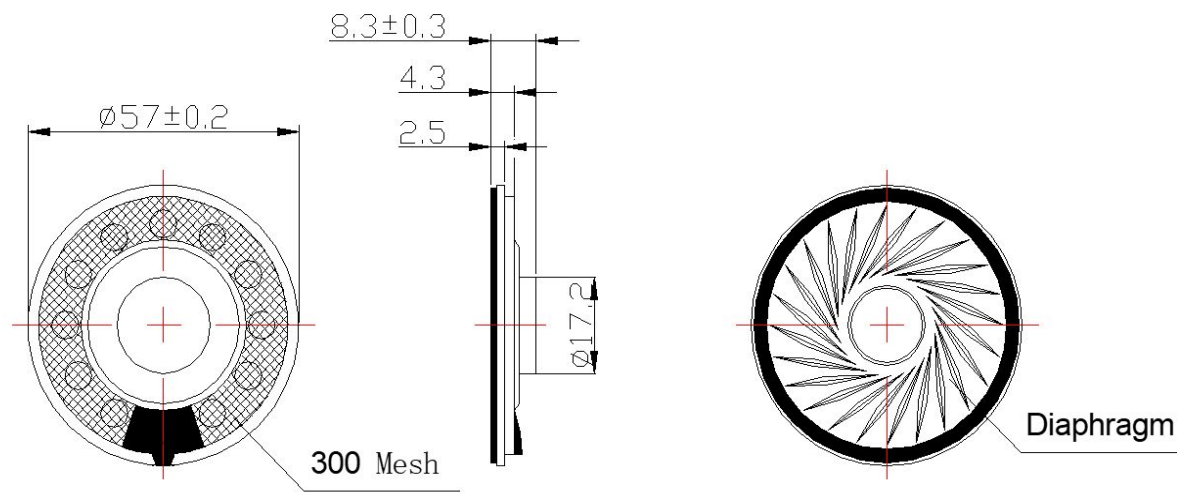
Dimensions

Page 6

Packing

Dimensions

Tolerance: ± 0.2 (unit: mm)



No.	Part Name	Material	Quantity
1	PCB	FE-4	1
2	Frame	SPCC	1
3	Magnet	Nd Fe B	1
4	Plate	SPCC	1
5	Voice Coil	Polyurethane Enamelled Wire	1
6	Diaphragm	PET	1
7	Gasket	Paper	1
8	Silk Screen	Adhesive	1



soberton inc.

SP DYNAMIC SPEAKER UNIT

Acoustic Product Specification

Product Number: SP-5708



Release | Revision: A/2018

CONTENTS

This document contains the technical specifications for the dynamic speaker unit.

Page 1

Speaker Electroacoustic Characteristics

General Specifications

Page 2

Reliability Tests

Page 3

Measuring Method (Speaker Mode)

Standard Test Condition of Speakers

Page 4

Frequency Response Curve

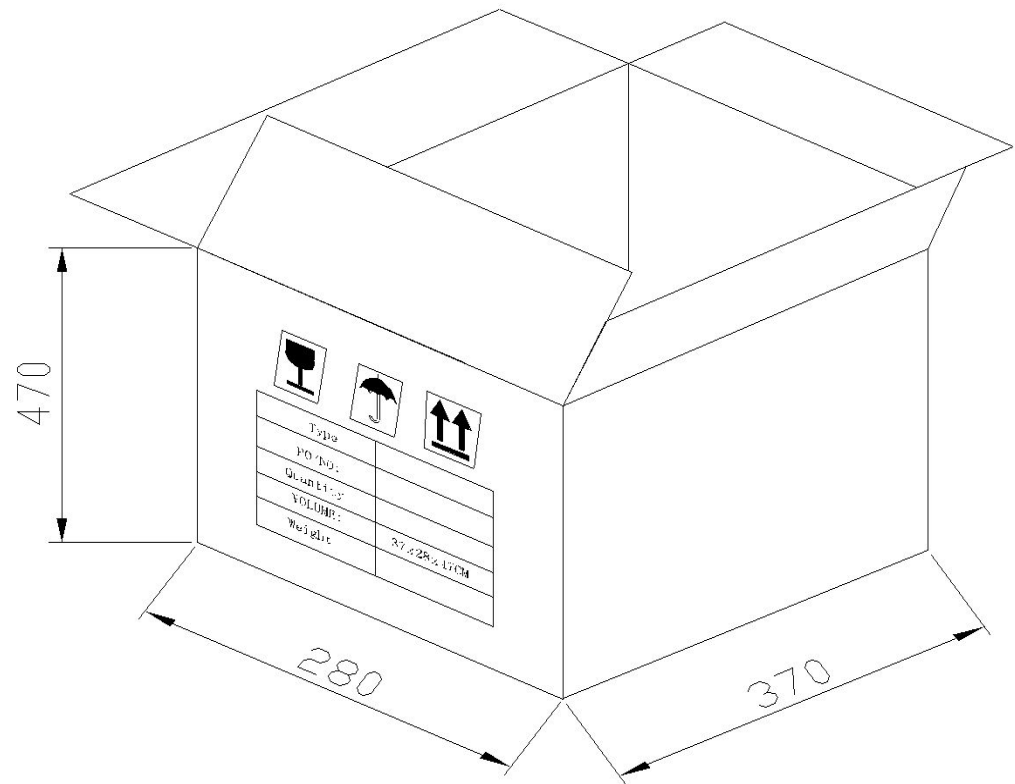
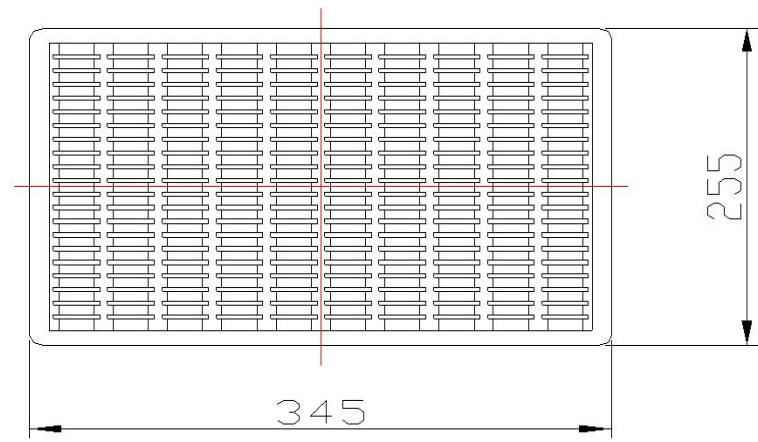
Page 5

Dimensions

Page 6

Packing

Packing



Remarks

200 pcs per box

10 units per box

Total:2000 pcs per box

Size: 37 × 28 × 47cm