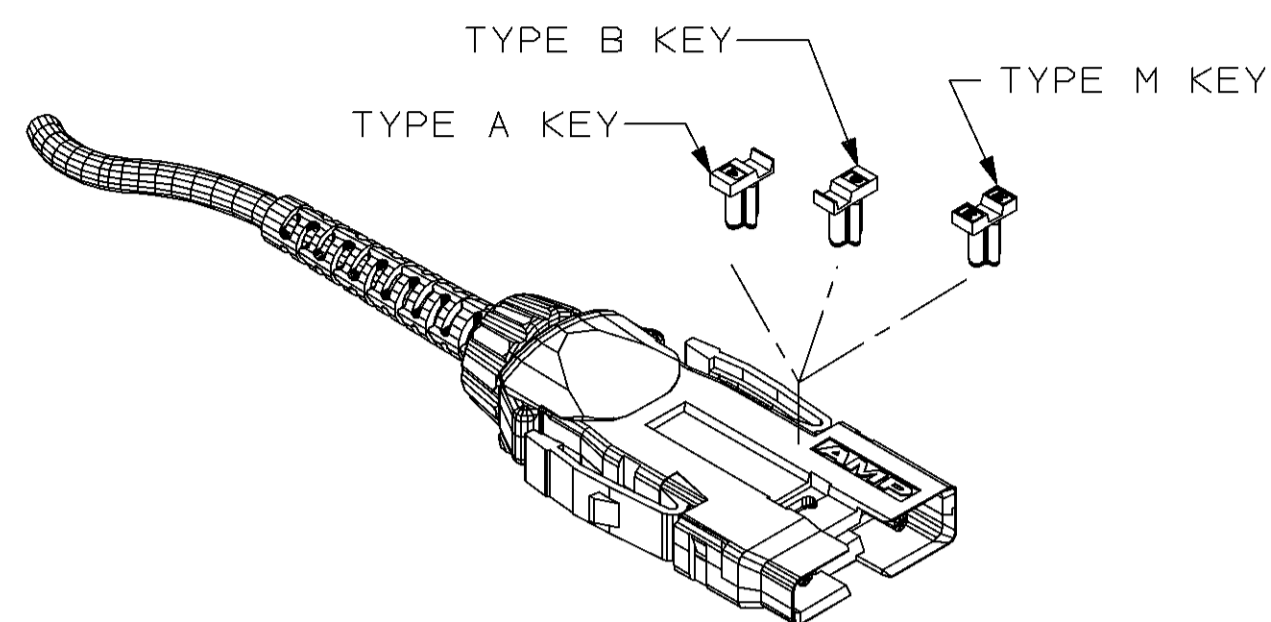


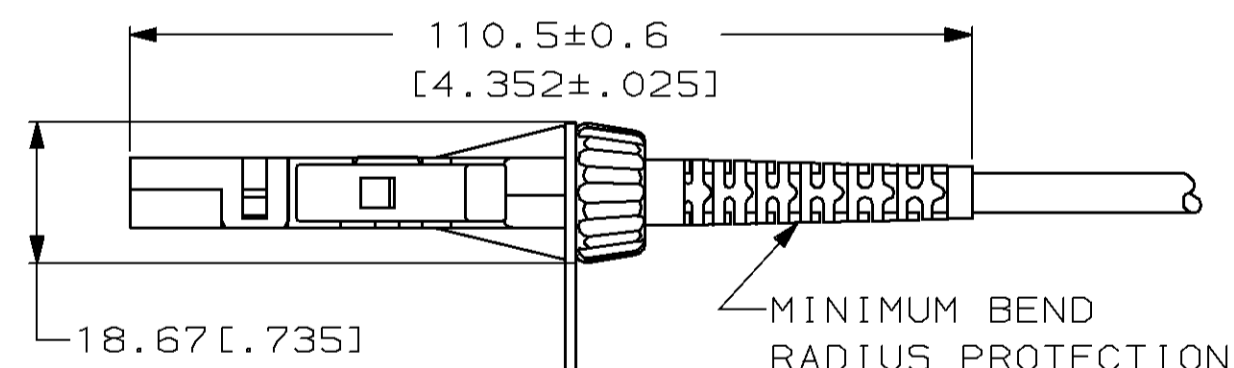
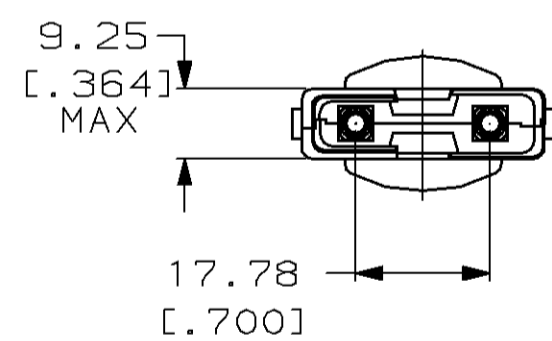
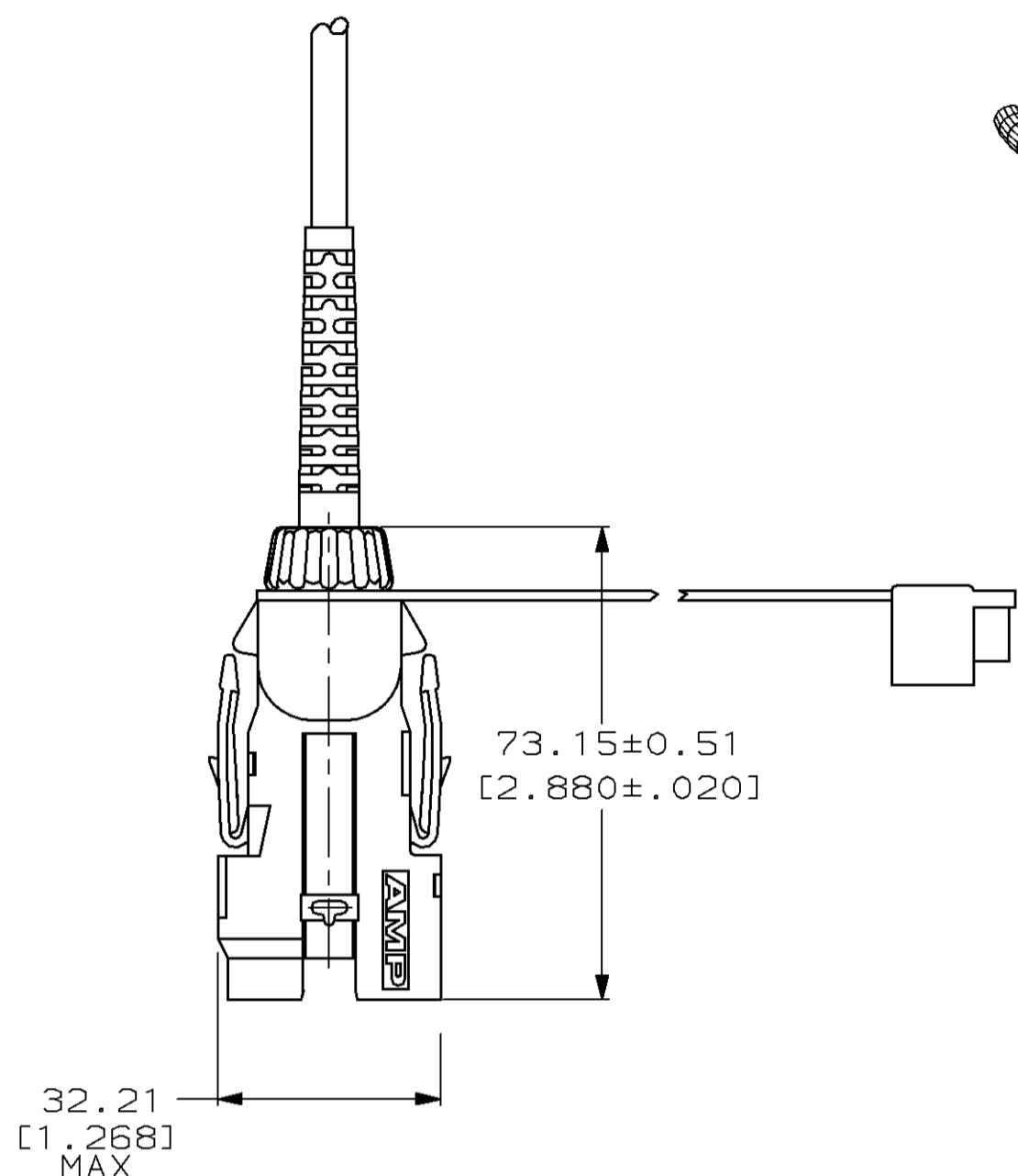
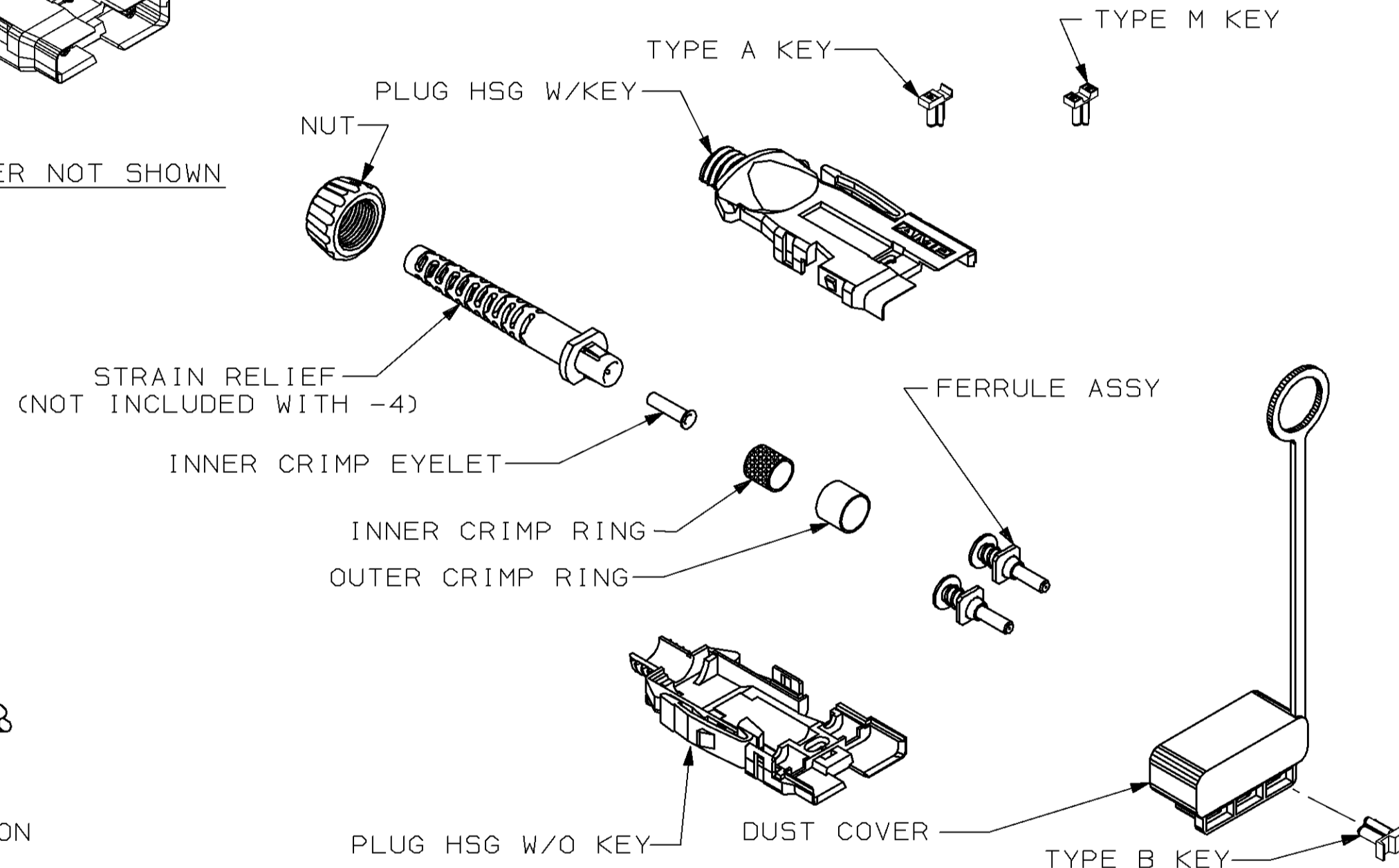
THIS DRAWING IS UNPUBLISHED. RELEASED FOR PUBLICATION, 19
 © COPYRIGHT 19 BY AMP INCORPORATED, HARRISBURG, PA. ALL INTERNATIONAL RIGHTS RESERVED. AMP PRODUCTS MAY BE COVERED BY U.S. AND FOREIGN PATENTS AND/OR PATENTS PENDING.

LOC		DIST		P		F		REVISIONS		DATE	APPROVED
CE	16			ZONE	LTR	DESCRIPTION					
					L	REV PER 0A00-0237-95		6-9-95			RH/FR

- DIMENSIONS IN [] ARE IN INCHES
- CONNECTOR WITHOUT KEY IS TYPE S
- HOUSINGS: PBT MOLDING COMPOUND
 NUT: PBT MOLDING COMPOUND
 FERRULE ASSY: STAINLESS STEEL AND CERAMIC
 INNER CRIMP RING: BRASS
 OUTER CRIMP RING: COPPER
 STRAIN RELIEF: POLYPROPYLENE
 DUST COVER: THERMOPLASTIC RUBBER
- INSTRUCTION SHEET 9373
- BULK PACKAGED, 200 PER PACKAGE.



DUST COVER NOT SHOWN



6 BULK PACKAGED 50 PER PACKAGE.
 ORDER STRAIN RELIEF SEPARATELY.
 DUALAN STYLE: 501783-1
 ZIPCORD STYLE: 502016-1

6	125µm	501780-4
5	125µm	501780-3
	140µm	501780-2
	125µm	501780-1
	FIBER SIZE	PART NO

UNLESS OTHERWISE SPECIFIED DIMENSIONS ARE IN mm TOLERANCES ON :	DR 5-19-88 B.BRIGGS	AMP INCORPORATED Harrisburg, Pa. 17105		
	2 PL DEC ±0.13 [.005]			CHK 5-19-88 J.ZEIDERS
MATERIAL	APPD 5-20-88 L.BUDD	NAME CONNECTOR KIT, DUALAN CABLE, AMP FSD		
	APPD 5-20-88 D.THOMPSON			PRODUCT SPEC
FINISH	-	SIZE	FSCM NO	DRAWING NO
	-	C	00779	501780
	-	SCALE	1:1	SHEET
WEIGHT	-			

METRIC

RESTRICTED RELEASE
 DRAWING MAY CHANGE WITHOUT
 CUSTOMER NOTIFICATION