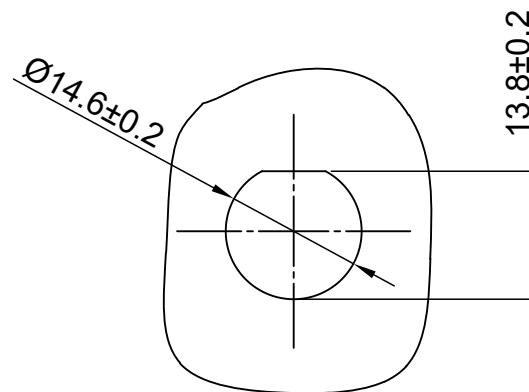
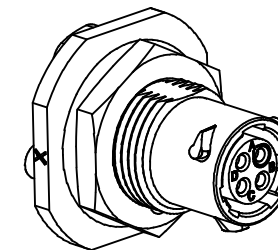
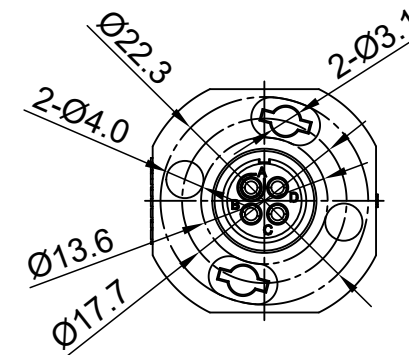
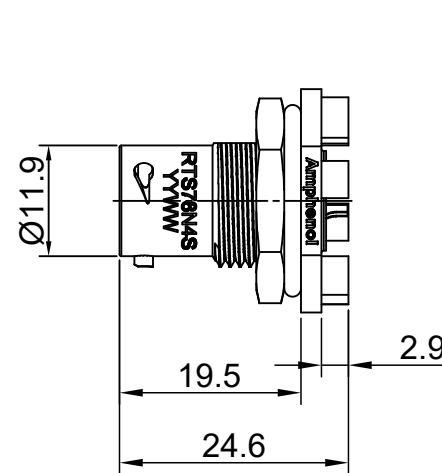
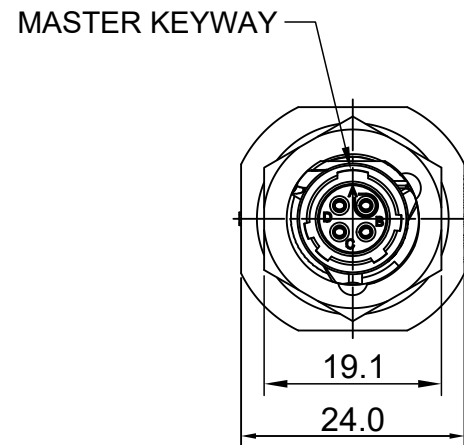


| REVISIONS | | | | | |
|-----------|-----|------------------|-------------|--------|-------|
| REV | ECO | DESCRIPTION | DATE | BY | APPR |
| A1 | -- | RELEASED DRAWING | APR-05-2016 | SULLEN | TOMMY |
| A2 | -- | UPDATE NOTES | JUN-20-2017 | NICK | TOMMY |
| A3 | -- | UPDATE DRAWING | Mar-16-2018 | White | Tommy |



PANEL CUT OUT REFERENCE
PANEL THICKNESS : 3.2MM MAX.

| KEY | PART NUMBER |
|-----|-------------|
| N | RTS78N4S |

NOTES : (UNLESS OTHERWISE SPECIFIED)

- MATERIAL :
SHELL : THERMOPLASTIC , UL94 V-0.
INSERT : CHLOROPRENE RUBBER.
O-RING : NBR.
SEAL GASKET : NBR.
JAM NUT : ALUMINIUM ALLOY , BLACK ANODIZING.
CONTACT : COPPER ALLOY , GOLD PLATED.
- SPECIFICATIONS :
2.1 RATED CURRENT : 7A (MAX).
2.2 RATED VOLTAGE : 250V(AC/DC).
2.3 OPERATING TEMPERATURE : -40°C ~ 105°C.
2.4 DIELECTRIC WITHSTANDING VOLTAGE : LESS THAN 2 MILLIAMPS CURRENT LEAKAGE@1500 VOLTS AC.
2.5 INSULATION RESISTANCE : 5000 MEGOHMS MIN.
2.6 IP--CLASS : IP67 AND IP69K IN THE MATED CONDITION, PANEL EXTERNAL.
2.7 MATING CYCLES DURABILITY : 500 CYCLES MIN.
2.8 RoHS COMPLIANT.
- ALL DIMENSIONS ARE FOR REFERENCE USE ONLY.

| QUANTITY | PART NUMBER | DESCRIPTION | ITEM | | | | | | | | | | | | |
|---|-------------|---|----------|------------|------|--------------|-------------|--------------|-------------|-----------|----|-----------------|-------------|--------------|--|
| MATERIALS LIST | | | | | | | | | | | | | | | |
| UNLESS OTHERWISE SPECIFIED 1) All dimensions are in metric(mm). 2) Tolerances are as follows: 1 PL DEC ±0.30 Fractions ±1/64 2 PL DEC ±0.15 Angles ±1° 3 PL DEC ±0.08 3) Note reference = | | <table border="1"> <thead> <tr> <th>SIGNATURES</th> <th>DATE</th> </tr> </thead> <tbody> <tr> <td>DRAWN: White</td> <td>Mar-16-2018</td> </tr> <tr> <td>CHECKED: Tod</td> <td>Mar-16-2018</td> </tr> <tr> <td>ENGINEER:</td> <td></td> </tr> <tr> <td>APPROVAL: Tommy</td> <td>Mar-16-2018</td> </tr> </tbody> </table> | | SIGNATURES | DATE | DRAWN: White | Mar-16-2018 | CHECKED: Tod | Mar-16-2018 | ENGINEER: | | APPROVAL: Tommy | Mar-16-2018 | | |
| SIGNATURES | DATE | | | | | | | | | | | | | | |
| DRAWN: White | Mar-16-2018 | | | | | | | | | | | | | | |
| CHECKED: Tod | Mar-16-2018 | | | | | | | | | | | | | | |
| ENGINEER: | | | | | | | | | | | | | | | |
| APPROVAL: Tommy | Mar-16-2018 | | | | | | | | | | | | | | |
| MATERIAL SPECIFICATIONS: | | <p style="text-align: center;">Amphenol</p> <p style="text-align: center;">Sine Systems - www.amphenol-sine.com 44724 Morley Drive Clinton Township, MI 48036</p> | | | | | | | | | | | | | |
| PROCESS SPECIFICATIONS: | | <p style="text-align: center;">ECO-MATE, RECEPTACLE, JAM NUT, SIZE 8,4POS, SOCKET</p> | | | | | | | | | | | | | |
| NEXT ASSY: | | <table border="1"> <tr> <td>SIZE</td> <td>TYPE</td> <td>DWG NO:</td> <td>REVISION</td> </tr> <tr> <td>B</td> <td>C-</td> <td>RTS78*4S</td> <td>A3</td> </tr> <tr> <td colspan="2">SCALE: NONE</td> <td colspan="2">SHEET 1 OF 1</td> </tr> </table> | | SIZE | TYPE | DWG NO: | REVISION | B | C- | RTS78*4S | A3 | SCALE: NONE | | SHEET 1 OF 1 | |
| SIZE | TYPE | DWG NO: | REVISION | | | | | | | | | | | | |
| B | C- | RTS78*4S | A3 | | | | | | | | | | | | |
| SCALE: NONE | | SHEET 1 OF 1 | | | | | | | | | | | | | |

TITLE: ECO-MATE,RECEPTACLE,JAM NUT,SIZE 8,4POS,SOCKET

DWG NO:

RTS78*4S

REV: A3

SH: 1

OF: 1