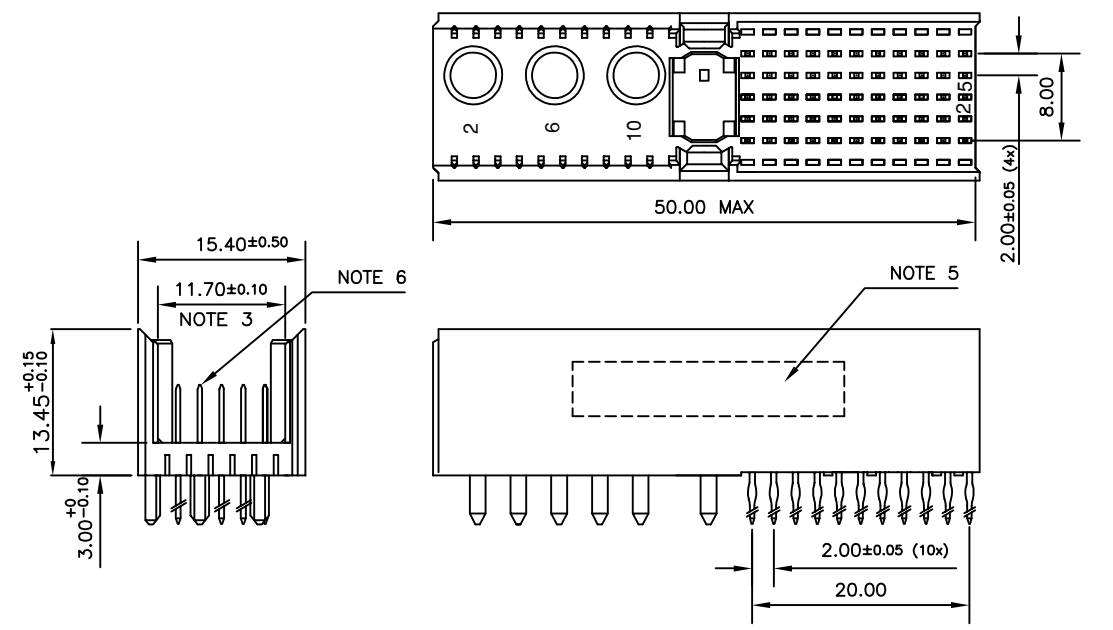


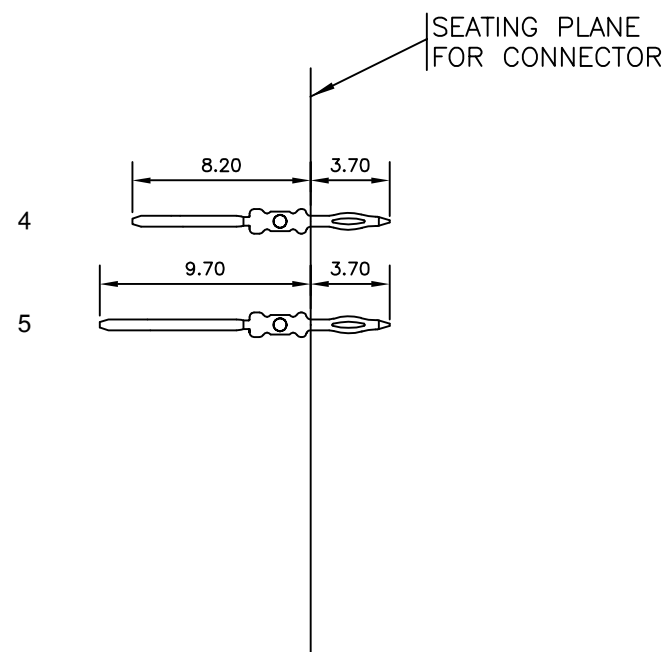
LOADING PATTERN MATING SIDE

f																				0	0	0	0	0	0	0	0	0	0	0	0	0	0	0	0
e																					4	4	5	4	4	4	5	5	5	5	5	5	5	5	5
d																					4	4	5	4	4	5	5	5	5	5	5	5	5	5	5
c																					4	4	5	4	4	5	5	5	5	5	5	5	5	5	5
b																					4	4	5	4	4	5	5	5	5	5	5	5	5	5	5
a																					4	4	5	4	4	5	5	5	5	5	5	5	5	5	5
z																					0	0	0	0	0	0	0	0	0	0	0	0	0	0	0
P																					0	0	0	0	0	0	0	0	0	0	0	0	0	0	0
O																					1	5	1	0	1	5	2	0	1	5	2	0	1	5	2
S																					1	5	1	0	1	5	2	0	1	5	2	0	1	5	2

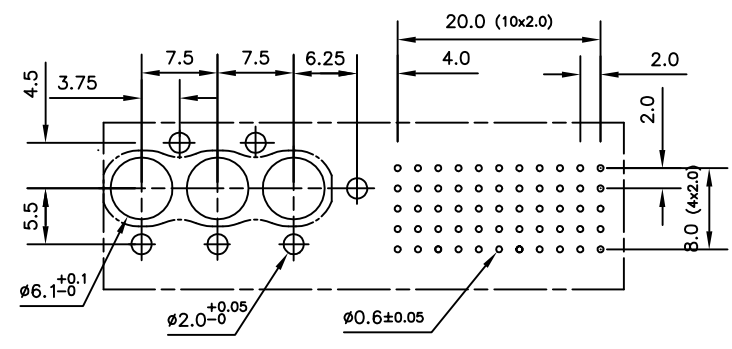
LOADED CONNECTOR ASSEMBLY (FOR EXAMPLE)



CONTACT OVERVIEW



LAY-OUT P.C.B.-HOLE



HM2P11PDG3L0 LEAD FREE INDICATOR : LF = LEAD FREE (DIGIT 15 & 16)
 PLATING CODE (DIGIT 13 AND 14)
 (REF DRW NO. BS,C , 201844 , 003)

NOTES

- THIS PRODUCT IS CSA APPROVED.
 - THIS PRODUCT IS UL RECOGNIZED.
 - MEASURED AT THE BOTTOM.
 - MATERIAL CONTACT: PHOSPHORBRONZE
 HOUSING: CREAM WHITE GLASS FILLED POLYESTER UL-94V0
 - CONNECTOR PRINTED WITH P/N AND DATE CODE.
 - FOR ACTUAL CONTACT LOADINGS, SEE LOADING PATTERN MATING SIDE.
 - SHAPE OF CONNECTOR HOUSING CAN ALTER DEPENDING ON PRODUCTION LOCATION
 - THE PRODUCT (LF) MEETS EUROPEAN UNION DIRECTIVES AND OTHER COUNTRY REGULATIONS AS DESCRIBED IN GS-22-008
 - FOR RECOMMENDED PTH DIMENSIONS REFER DRAWING : BS, A , 201572 , 001
- CATALOG NO: HM2P11PDG3L0- - -

mat'l. code SEE NOTE 4		surface ISO 1302 ✓		tolerance ISO 406 ISO 1101		projection MM		product family MILLIPACS	
ltr	ecn no	dr	date	tolerances unless otherwise specified		MM		title MPACS 5+2R STR HDR PF CONN TYPE M	
A	105-0104	MINI	2005-06-21	angles	linear	0°±1°		scale -	
B	106-0099	MINI	2006-07-14						
		dr	MINI K VANDANATH	2005-06-21				dwg no sheet 1 of 1	
		engr	BIJU K PAUL	2005-06-21				size A3	
		chr	BIJU K PAUL	2006-07-14				BS, C ,203028,266	
		appd	BIJU K PAUL	2006-07-14				type Product Customer Drawing	
sheet index	revision sheet	B	1						

Copyright FCI
 FCconnect.com