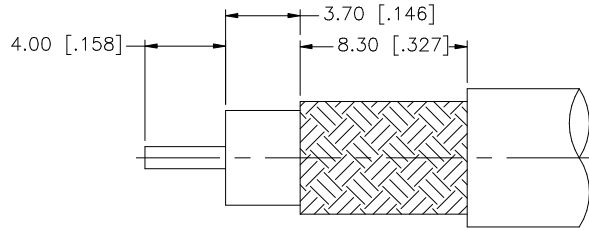
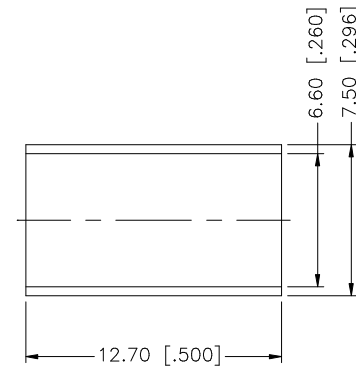
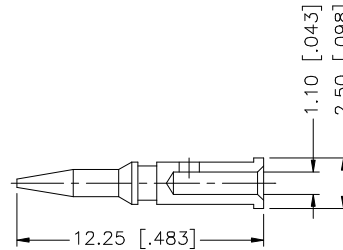
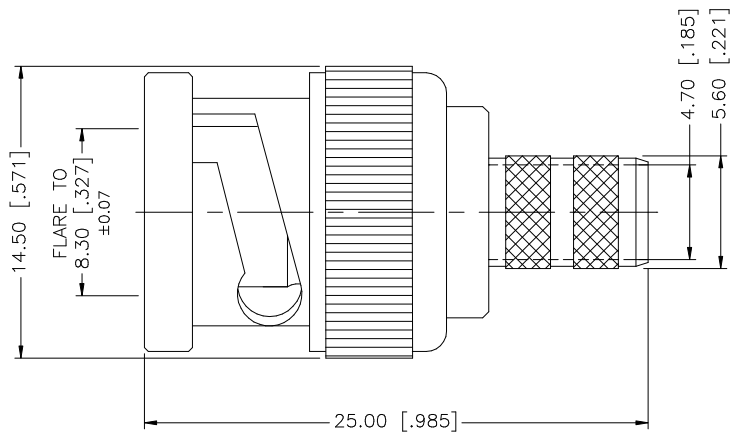


REV.	DATE	DESCRIPTION
A	11/14/97	ADD CONTACT PIN
B	07/01/04	UPDATE DRAWING FORMAT
C	02/21/06	ADD "B1695A" TO PART DESCRIPTION / .255" HEX CRIMP



RECOMMENDED CABLE STRIPPING DIMENSIONS



NOTE:

1. CRIMPED FERRULE – HEX CRIMP SIZE .255"
2. CRIMPED CONTACT PIN – HEX CRIMP SIZE .068"

8				
7				
6				
5				
4	FERRULE	COPPER	NICKEL	1
3	CONTACT PIN	BRASS	GOLD	1
2	INSULATOR	DELRIN	NATURAL	1
1	BODY	BRASS	NICKEL	1
	DESCRIPTION	MATERIAL	FINISH	QTY

UNLESS OTHERWISE SPECIFIED DIMENSIONS ARE IN MILLIMETERS. DIMENSIONS IN [] ARE IN INCHES AND FOR CUSTOMER REFERENCE ONLY.

UNLESS OTHERWISE SPECIFIED TOLERANCES FOR MILLIMETERS ARE:
0.5 – 8mm ± 0.20mm
8 – 30mm ± 0.40mm
30 – 120mm ± 0.50mm

UNLESS OTHERWISE SPECIFIED TOLERANCES FOR INCHES ARE:
.020 – .315 = ± 0.007"
.315 – 1.180 = ± 0.015"
1.180 – 4.724 = ± 0.020"

DO NOT SCALE DRAWING

APPROVALS		DATE
DRAWN	G.R.S.	02/21/06
CHECKED		
ISSUED		
SHEET	1 OF 1	
CAD FILE	C:/112/112519.DWG	

Amphenol Connex

PART DESCRIPTION			
BNC CRIMP PLUG (FOR RG-6/U, B1695A PLENUM CABLE)			
PART NO.			
112519			
DWG. NO.	112519.DWG	REV.	C
SIZE	A	SCALE	NA