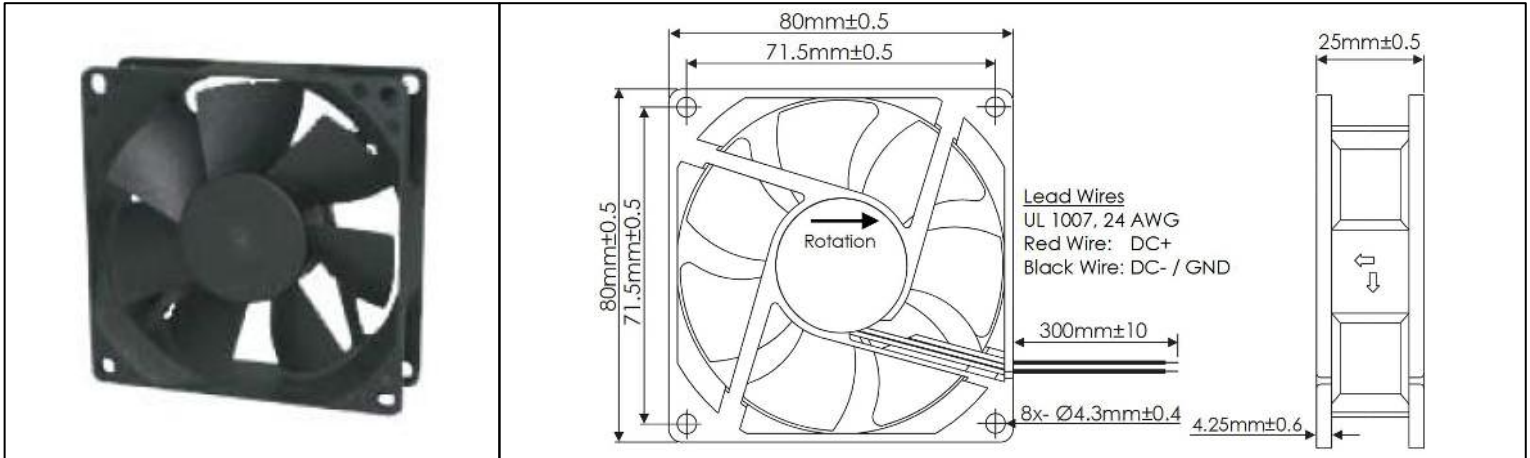


# OD8025 Series



DC Fans - 12, 24, 48V  
80mm x 25mm (3.15" x 1.0")



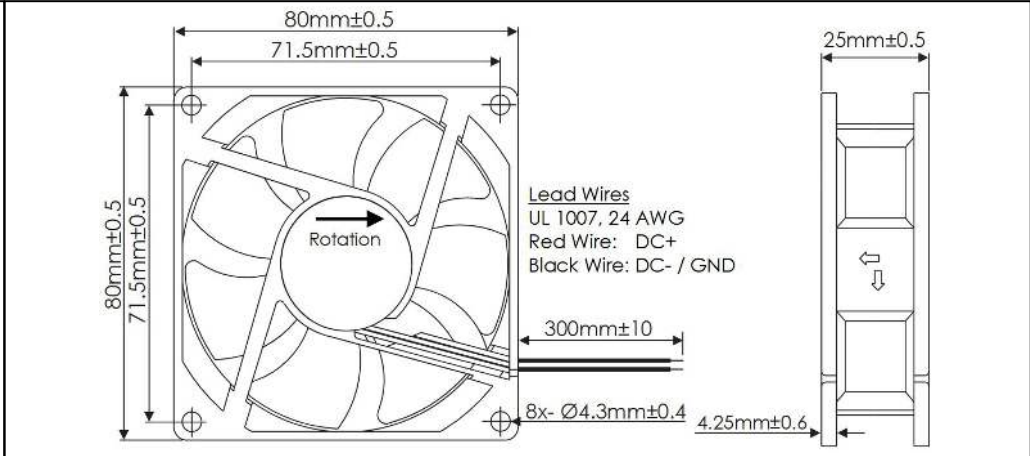
<b>Frame</b>	PBT, UL94 V-0 Plastic	<b>Operating Temperature</b> -20°C ~ +65°C  <b>Storage Temperature</b> -25°C ~ +75°C  <b>Life Expectancy</b> 60,000 Hours (L10 at 45°C)  <b>Available Options</b> Tachometer Output Alarm Output PWM Speed Control Input IP Ratings Sleeve Bearings Other Voltages and Speeds  Weight: 0.19 lbs	
<b>Impeller</b>	PBT, UL94 V-0 Plastic		
<b>Connection</b>	2x Lead Wires, 24 AWG		
<b>Motor</b>	Brushless DC, Auto Cutoff, Auto Restart, Polarity Protected, Electronically Protected		
<b>Bearing System</b>	Ball Bearings		
<b>Dielectric Strength</b>	500VDC/min, <1mA		
<b>Insulation Resistance</b>	≥10MΩ @ 500V DC		

Part Number	Rated Voltage (Volts DC)	Voltage Range (Volts DC)	Input Power (Watts)	Rated Current (Amps)	Rated Speed (RPM)	Max Airflow (CFM)	Noise Level (dBA)	Max Static Pressure ("H <sub>2</sub> O)
OD8025-12HHB	12	8 ~ 13.8	2.2	0.18	3800	47.8	35	0.26
OD8025-12HB	12	8 ~ 13.8	2.2	0.18	3300	40.1	33	0.23
OD8025-12MB	12	8 ~ 13.8	1.8	0.15	2700	31.7	28	0.16
OD8025-12LB	12	8 ~ 13.8	1.4	0.12	2000	21.9	21	0.10
OD8025-24HHB	24	14 ~ 26.4	2.9	0.20	3800	47.8	35	0.26
OD8025-24HB	24	14 ~ 26.4	2.9	0.12	3300	40.1	33	0.23
OD8025-24MB	24	14 ~ 26.4	2.4	0.10	2700	31.7	28	0.16
OD8025-24LB	24	14 ~ 26.4	2.0	0.08	2000	21.9	21	0.10
OD8025-48HHB	48	34 ~ 52.8	3.8	0.08	3800	47.8	35	0.26
OD8025-48HB	48	34 ~ 52.8	3.8	0.07	3300	40.1	33	0.23

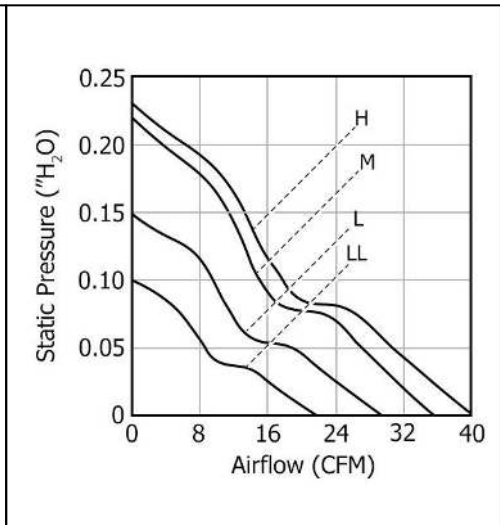
# OD8025 5 Volt Series



DC Fans - 5V  
80mm x 25mm (3.15" x 1.0")



Frame	PBT, UL94 V-0 Plastic	<b>Operating Temperature</b> -20°C ~ +65°C  <b>Storage Temperature</b> -25°C ~ +75°C  <b>Life Expectancy</b> 60,000 Hours (L10 at 45°C)  <b>Available Options</b> Tachometer Output Alarm Output PWM Speed Control Input  Weight: 0.19 lbs
Impeller	PBT, UL94 V-0 Plastic	
Connection	2x Lead Wires, 24 AWG	
Motor	Brushless DC, Auto Cutoff, Auto Restart, Polarity Protected, Electronically Protected	
Bearing System	Ball Bearings	
Dielectric Strength	500VDC/min, <1mA	
Insulation Resistance	≥10MΩ @ 500V DC	

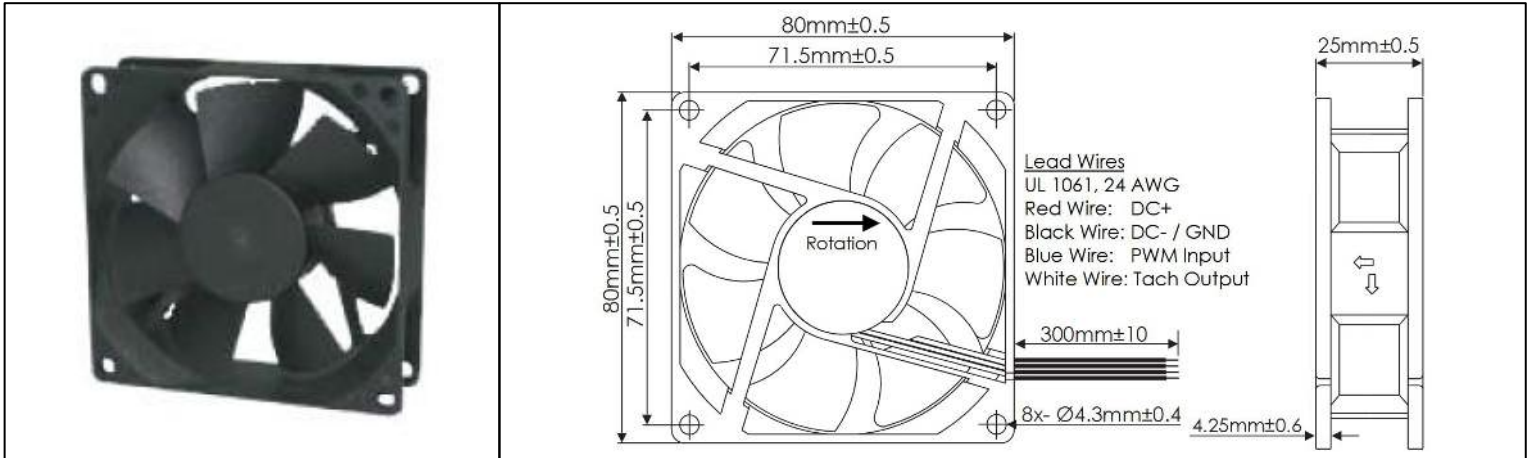


Part Number	Rated Voltage (Volts DC)	Voltage Range (Volts DC)	Input Power (Watts)	Rated Current (Amps)	Rated Speed (RPM)	Max Airflow (CFM)	Noise Level (dBA)	Max Static Pressure ("H <sub>2</sub> O)
OD8025-05HB	5	4.5 ~ 5.5	1.4	0.28	3190	40	33	0.23
OD8025-05MB	5	4.5 ~ 5.5	1.4	0.28	2775	34	32	0.22
OD8025-05LB	5	4.5 ~ 5.5	1.0	0.20	2185	29	27	0.15
OD8025-05LLB	5	4.5 ~ 5.5	0.8	0.15	1750	22	21	0.10

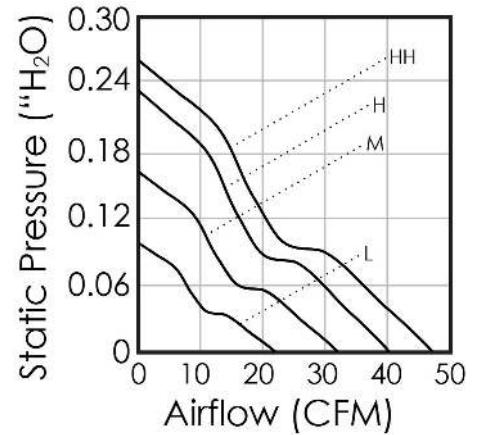


# OD8025 Series with PWM and Tachometer

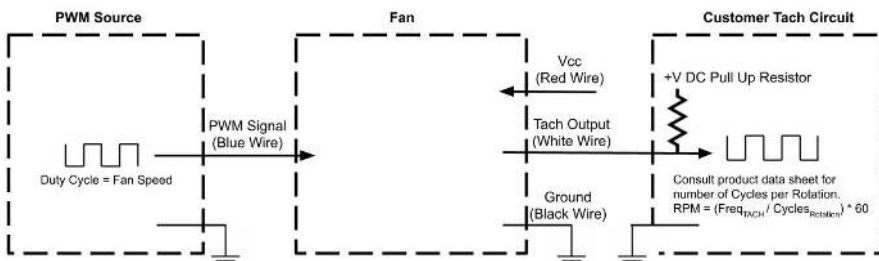
DC Fans - 12, 24, 48V  
80mm x 25mm (3.15" x 1.0")



Frame	PBT, UL94 V-0 Plastic	<b>Operating Temperature</b> -20°C ~ +65°C  <b>Storage Temperature</b> -25°C ~ +75°C  <b>Life Expectancy</b> 60,000 Hours (L10 at 45°C)  <b>Installed Options</b> PWM Speed Control Input Open Collector Tach Output  <b>Available Options</b> 5V TTL Tach Output  Weight: 0.19 lbs
Impeller	PBT, UL94 V-0 Plastic	
Connection	4x Lead Wires, 24 AWG	
Motor	Brushless DC, Auto Cutoff, Auto Restart, Polarity Protected, Electronically Protected	
Bearing System	Ball Bearings	
Dielectric Strength	500VDC/min, <1mA	
Insulation Resistance	≥10MΩ @ 500V DC	



Part Number	Rated Voltage (Volts DC)	Voltage Range (Volts DC)	Input Power (Watts)	Rated Current (Amps)	Rated Speed (RPM)	Max Airflow (CFM)	Noise Level (dBA)	Max Static Pressure (\"H <sub>2</sub> O)
OD8025-12HHB10A	12	8 ~ 13.8	2.2	0.18	3800	47.8	35	0.26
OD8025-12HB10A	12	8 ~ 13.8	2.2	0.18	3300	40.1	33	0.23
OD8025-12MB10A	12	8 ~ 13.8	1.8	0.15	2700	31.7	28	0.16
OD8025-12LB10A	12	8 ~ 13.8	1.4	0.12	2000	21.9	21	0.10
OD8025-24HHB10A	24	14 ~ 26.4	2.9	0.20	3800	47.8	35	0.26
OD8025-24HB10A	24	14 ~ 26.4	2.9	0.12	3300	40.1	33	0.23
OD8025-24MB10A	24	14 ~ 26.4	2.4	0.10	2700	31.7	28	0.16
OD8025-24LB10A	24	14 ~ 26.4	2.0	0.08	2000	21.9	21	0.10
OD8025-48HHB10A	48	34 ~ 52.8	3.8	0.08	3800	47.8	35	0.26
OD8025-48HB10A	48	34 ~ 52.8	3.8	0.07	3300	40.1	33	0.23

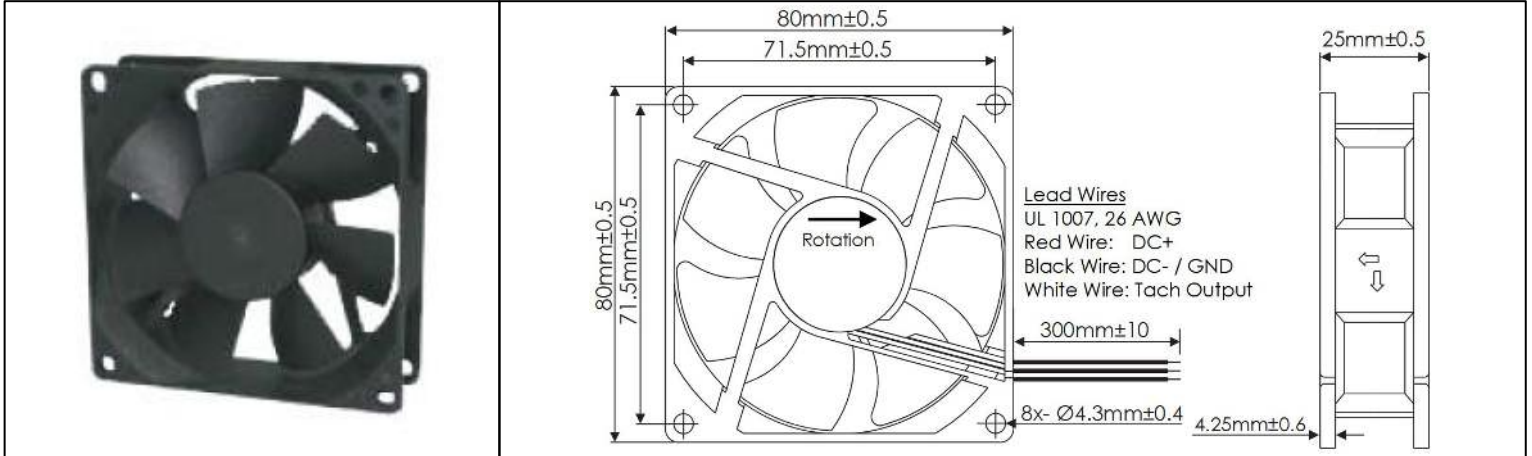


- PWM Max High Voltage: 5.5V
- PWM Max Sink Current: 5mA
- PWM Frequency Range: 1KHz-100KHz
- PWM Typical Frequency: 25KHz
- RPM at 0% Duty Cycle: 0 RPM
- RPM will be full speed if PWM input is disconnected.
- RPM will be 0 if PWM input is 0V or grounded.
- Tach Max Pullup Voltage: Fan Vcc
- Tach Max Sink Current: 5mA
- Tach Cycles per Rotation: 2

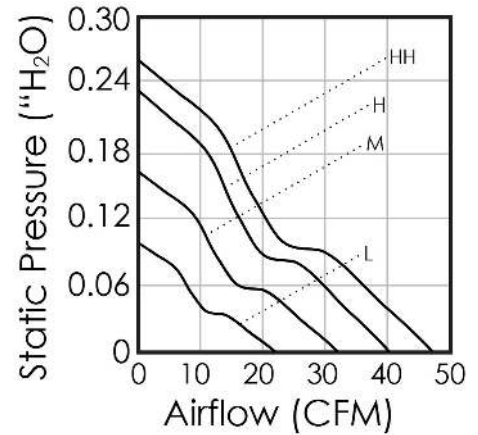
# OD8025 Series with Tachometer



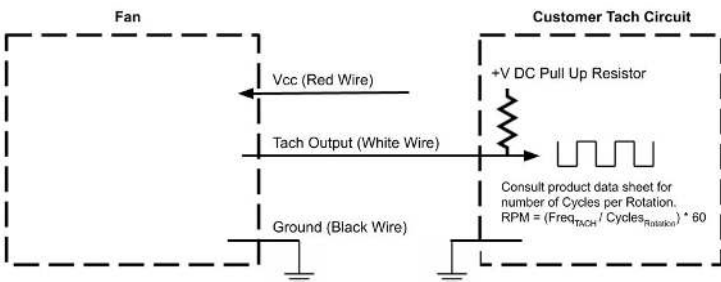
DC Fans - 12, 24, 48V  
80mm x 25mm (3.15" x 1.0")



Frame	PBT, UL94 V-0 Plastic	<b>Operating Temperature</b> -20°C ~ +65°C
Impeller	PBT, UL94 V-0 Plastic	
Connection	3x Lead Wires, 26 AWG	<b>Storage Temperature</b> -25°C ~ +75°C
Motor	Brushless DC, Auto Cutoff, Auto Restart, Polarity Protected, Electronically Protected	
Bearing System	Ball Bearings	<b>Life Expectancy</b> 60,000 Hours (L10 at 45°C)
Dielectric Strength	500VDC/min, <1mA	<b>Installed Options</b> Open Collector Tach Output
Insulation Resistance	≥10MΩ @ 500V DC	<b>Available Options</b> 5V TTL Tach Output
		Weight: 0.19 lbs



Part Number	Rated Voltage (Volts DC)	Voltage Range (Volts DC)	Input Power (Watts)	Rated Current (Amps)	Rated Speed (RPM)	Max Airflow (CFM)	Noise Level (dBA)	Max Static Pressure ("H <sub>2</sub> O)
OD8025-12HHB01A	12	8 ~ 13.8	2.2	0.18	3800	47.8	35	0.26
OD8025-12HB01A	12	8 ~ 13.8	2.2	0.18	3300	40.1	33	0.23
OD8025-12MB01A	12	8 ~ 13.8	1.8	0.15	2700	31.7	28	0.16
OD8025-12LB01A	12	8 ~ 13.8	1.4	0.12	2000	21.9	21	0.10
OD8025-24HHB01A	24	14 ~ 26.4	2.9	0.20	3800	47.8	35	0.26
OD8025-24HB01A	24	14 ~ 26.4	2.9	0.12	3300	40.1	33	0.23
OD8025-24MB01A	24	14 ~ 26.4	2.4	0.10	2700	31.7	28	0.16
OD8025-24LB01A	24	14 ~ 26.4	2.0	0.08	2000	21.9	21	0.10
OD8025-48HHB01A	48	34 ~ 52.8	3.8	0.08	3800	47.8	35	0.26
OD8025-48HB01A	48	34 ~ 52.8	3.8	0.07	3300	40.1	33	0.23

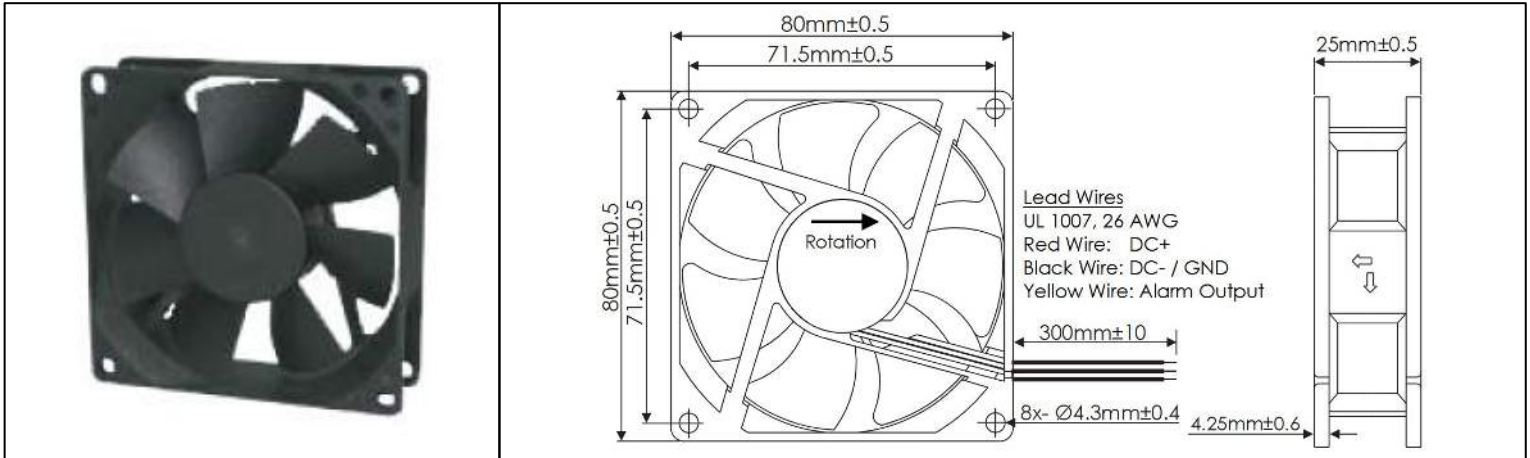


Tach Max Pullup Voltage: Fan Vcc  
Tach Max Sink Current: 5mA  
Tach Cycles per Rotation: 2

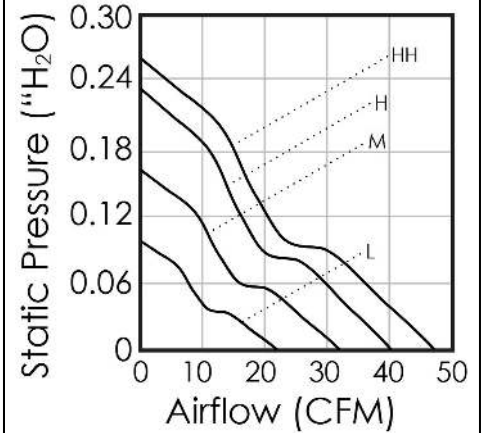
# OD8025 Series with Alarm



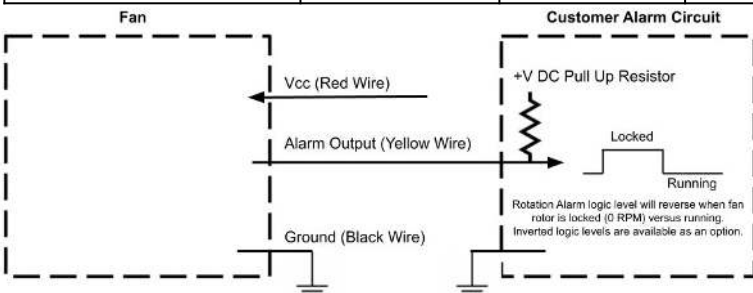
DC Fans - 12, 24, 48V  
80mm x 25mm (3.15" x 1.0")



<b>Frame</b>	PBT, UL94 V-0 Plastic	<b>Operating Temperature</b> -20°C ~ +65°C  <b>Storage Temperature</b> -25°C ~ +75°C  <b>Life Expectancy</b> 60,000 Hours (L10 at 45°C)  <b>Installed Options</b> Open Collector Alarm Output  <b>Available Options</b> 5V TTL Alarm Output Inverted Alarm Logic  <b>Weight:</b> 0.19 lbs
<b>Impeller</b>	PBT, UL94 V-0 Plastic	
<b>Connection</b>	3x Lead Wires, 26 AWG	
<b>Motor</b>	Brushless DC, Auto Cutoff, Auto Restart, Polarity Protected, Electronically Protected	
<b>Bearing System</b>	Ball Bearings	
<b>Dielectric Strength</b>	500VDC/min, <1mA	
<b>Insulation Resistance</b>	≥10MΩ @ 500V DC	



Part Number	Rated Voltage (Volts DC)	Voltage Range (Volts DC)	Input Power (Watts)	Rated Current (Amps)	Rated Speed (RPM)	Max Airflow (CFM)	Noise Level (dBA)	Max Static Pressure (\"H <sub>2</sub> O)
OD8025-12HHB02A	12	8 ~ 13.8	2.2	0.18	3800	47.8	35	0.26
OD8025-12HB02A	12	8 ~ 13.8	2.2	0.18	3300	40.1	33	0.23
OD8025-12MB02A	12	8 ~ 13.8	1.8	0.15	2700	31.7	28	0.16
OD8025-12LB02A	12	8 ~ 13.8	1.4	0.12	2000	21.9	21	0.10
OD8025-24HHB02A	24	14 ~ 26.4	2.9	0.20	3800	47.8	35	0.26
OD8025-24HB02A	24	14 ~ 26.4	2.9	0.12	3300	40.1	33	0.23
OD8025-24MB02A	24	14 ~ 26.4	2.4	0.10	2700	31.7	28	0.16
OD8025-24LB02A	24	14 ~ 26.4	2.0	0.08	2000	21.9	21	0.10
OD8025-48HHB02A	48	34 ~ 52.8	3.8	0.08	3800	47.8	35	0.26
OD8025-48HB02A	48	34 ~ 52.8	3.8	0.07	3300	40.1	33	0.23



Alarm Max Pullup Voltage: Fan Vcc  
 Alarm Max Sink Current: 5mA  
 Alarm Active Logic State: HIGH