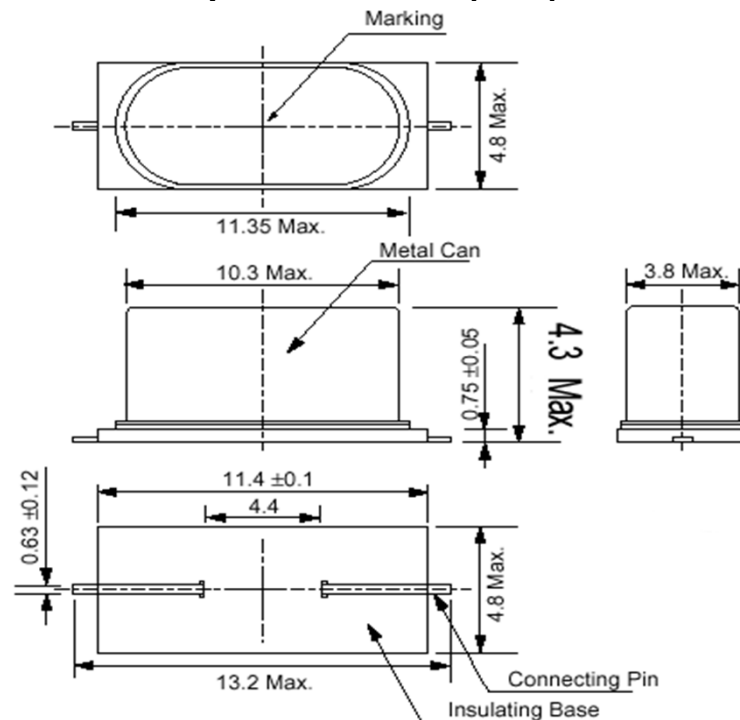


ECS Part Number	Frequency
ECS-071.505-CDX-0370	* 7.1505
ECS-098.438-CDX-0371	* 9.8438
ECS-130.625-CDX-0373	* 13.0625
ECS-135.600-CDX-0374	* 13.56
ECS-203.563-CDX-0375	20.3563
ECS-226.278-CDX-0376	22.6278
ECS-232.643-CDX-0377	23.2643
ECS-235.122-CDX-0378	23.5122
ECS-252.235-CDX-0379	25.2235
ECS-254.563-CDX-0380	25.4563
ECS-264.513-CDX-0381	26.4513
ECS-265.971-CDX-0382	26.5971
ECS-271.344-CDX-0383	* 27.1344
ECS-274.688-CDX-0384	27.4688
ECS-282.594-CDX-0385	28.2594
ECS-285.938-CDX-0386	* 28.5938



REVISIONS			
REV	DESCRIPTION	DATE	APPROVED

Package Dimensions (mm)



Electrical Characteristics

Parameters	Value
Frequency Tolerance @ +25°C	± 20 PPM Max.
Temperature Stability (-10° to +70°C)	± 30 PPM Max.
Equivalent Series Resistance (7 to 12.999 MHz)	40 Ohms Max.
Equivalent Series Resistance (13 to 30 MHz)	30 Ohms Max.
Load Capacitance	12 pF
Shunt Capacitance	7 pF Max.
Drive Level	500 µW Max.
Aging (First Year @ +25°C)	± 5 PPM Max.
* Spurious response (fo to Fo +200 KHz)	-20 dB Min.
Operating Temperature	-10 to +70°C
Storage Temperature	-30 to +85°C

Figure 1) Top, Side, Bottom and End views

ECS INC. INTERNATIONAL
1105 S. Ridgeview
Olathe, KS 66062
(913) 782-7787 www.ecsxtal.com

Spur spec applies only to those frequencies with an *

SIGNATURES	DATE	TITLE CSM-7 SMD Crystal for TX/RX Chipset, RoHS Compliant
DRN DK	10/21/2005	
CHK BL	10/21/2005	
APP BS	10/21/2005	
Dimensions in mm		SIZE A
CAGE CODE: 1G8B7		DWG NO ECS-CDX-0370-386
SHEET 1 OF 1		REV -