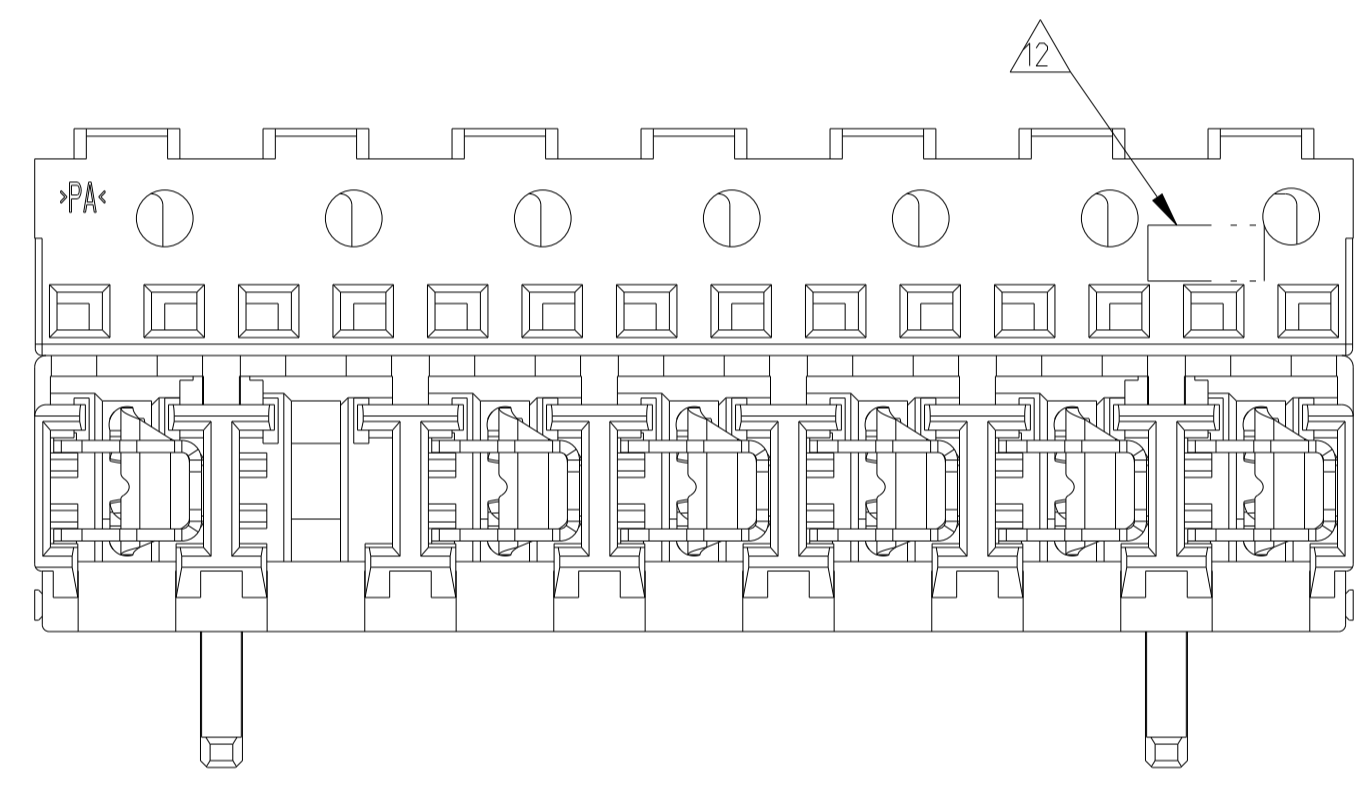
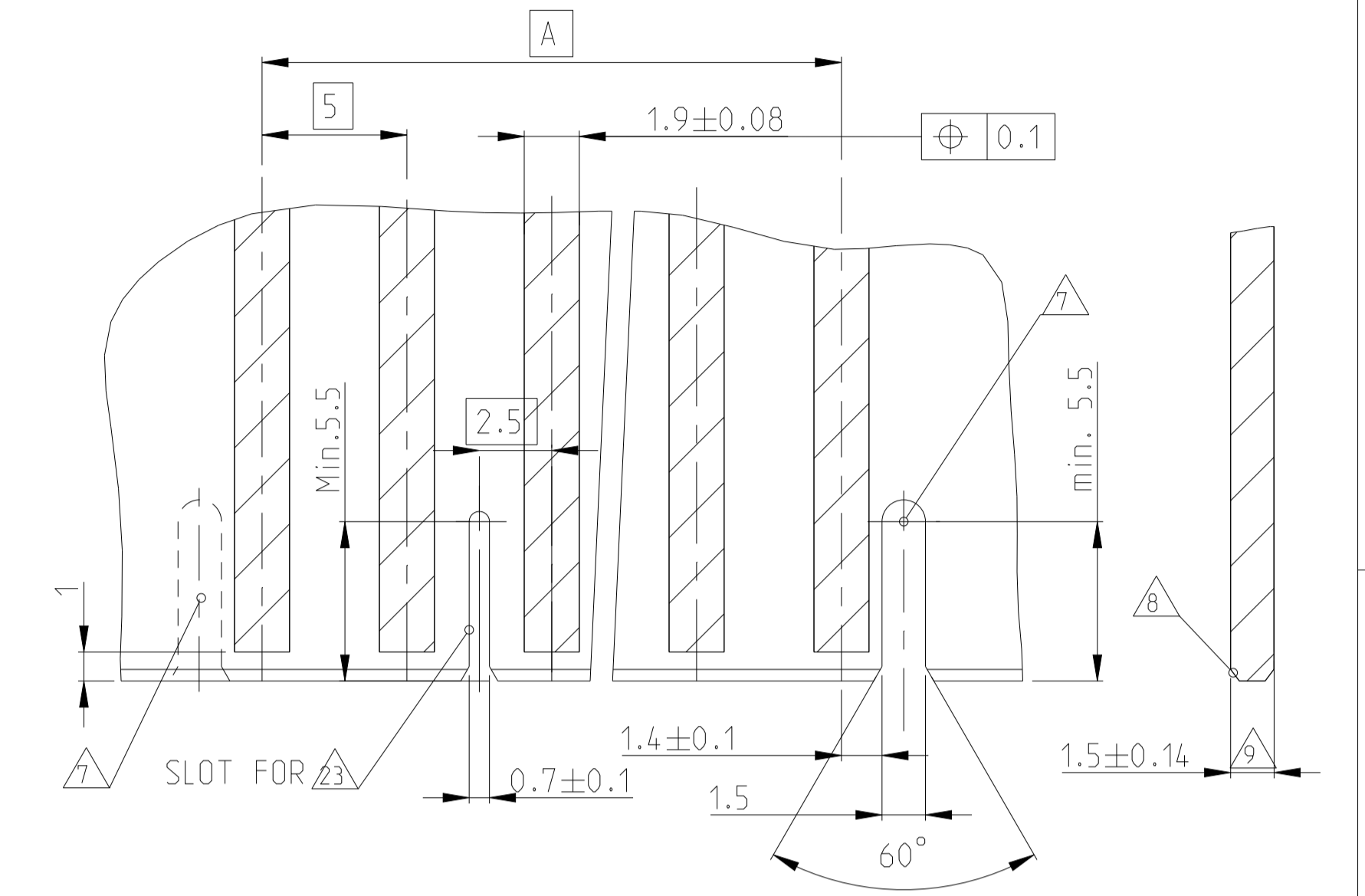
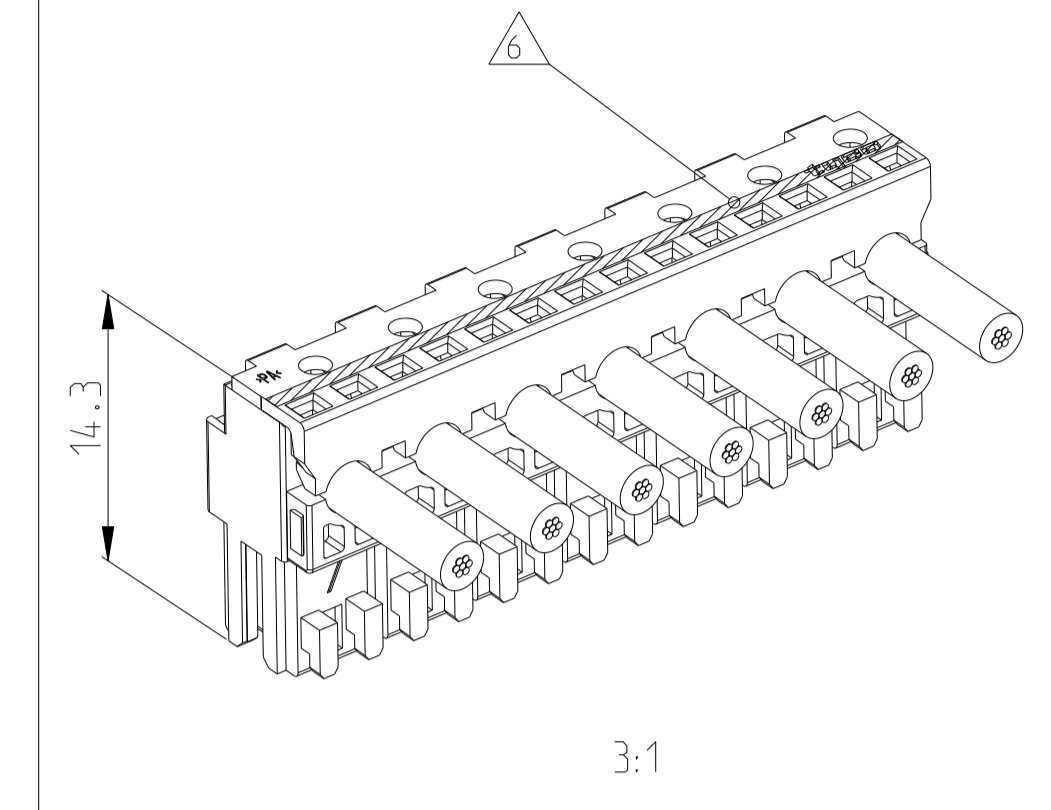
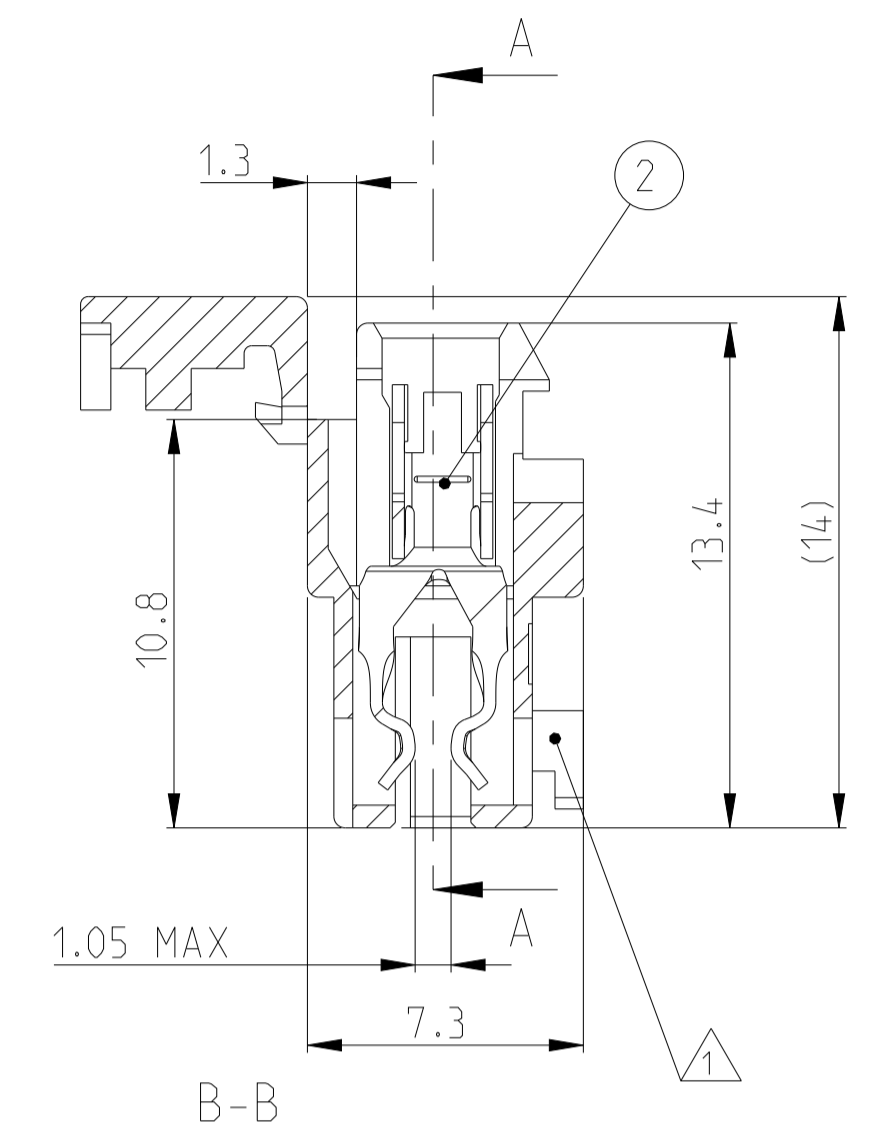
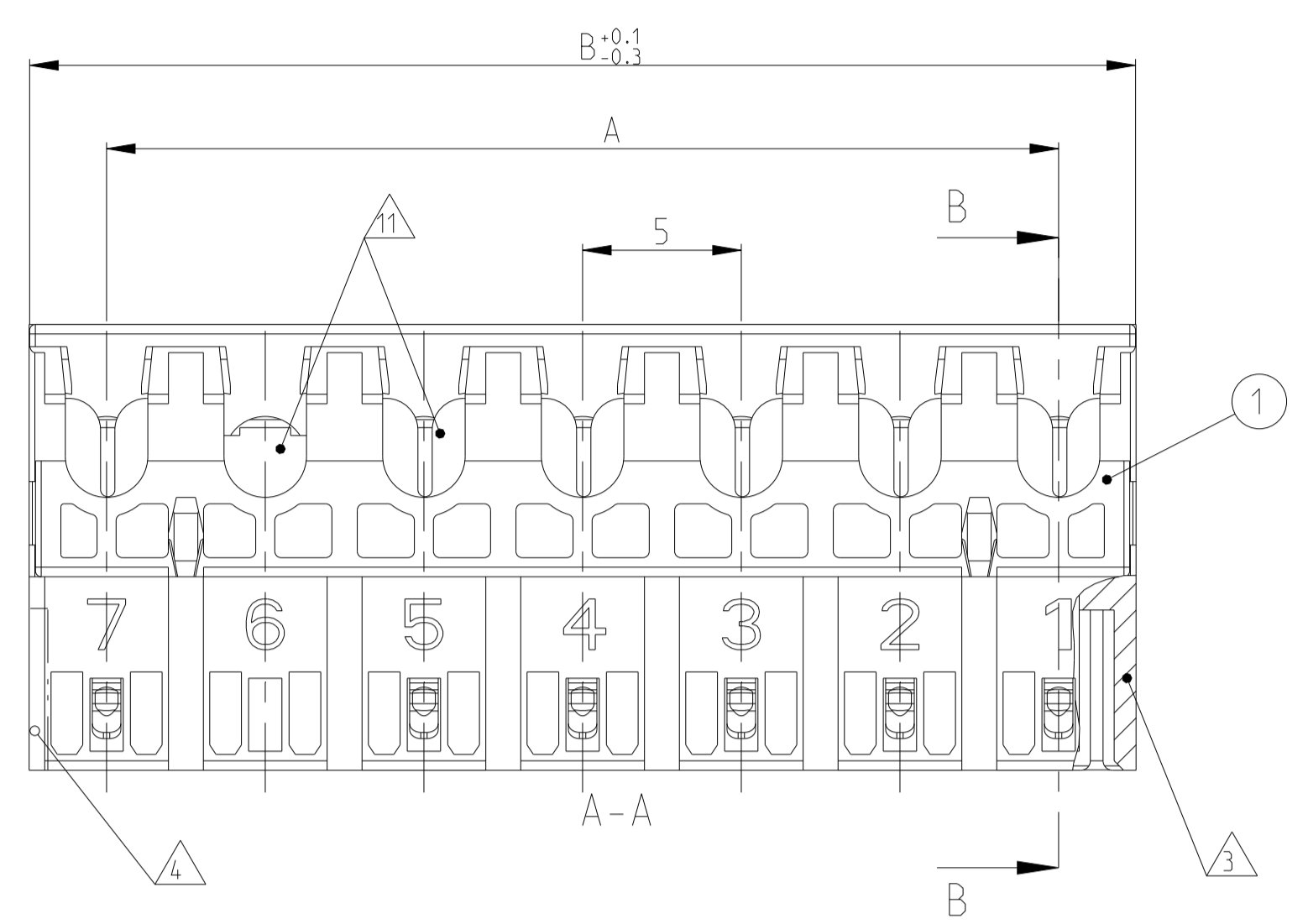
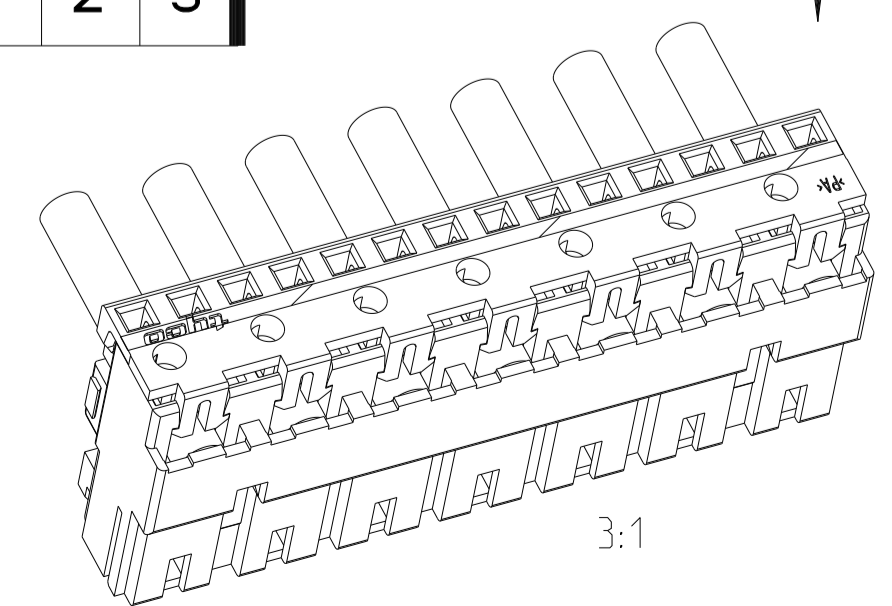
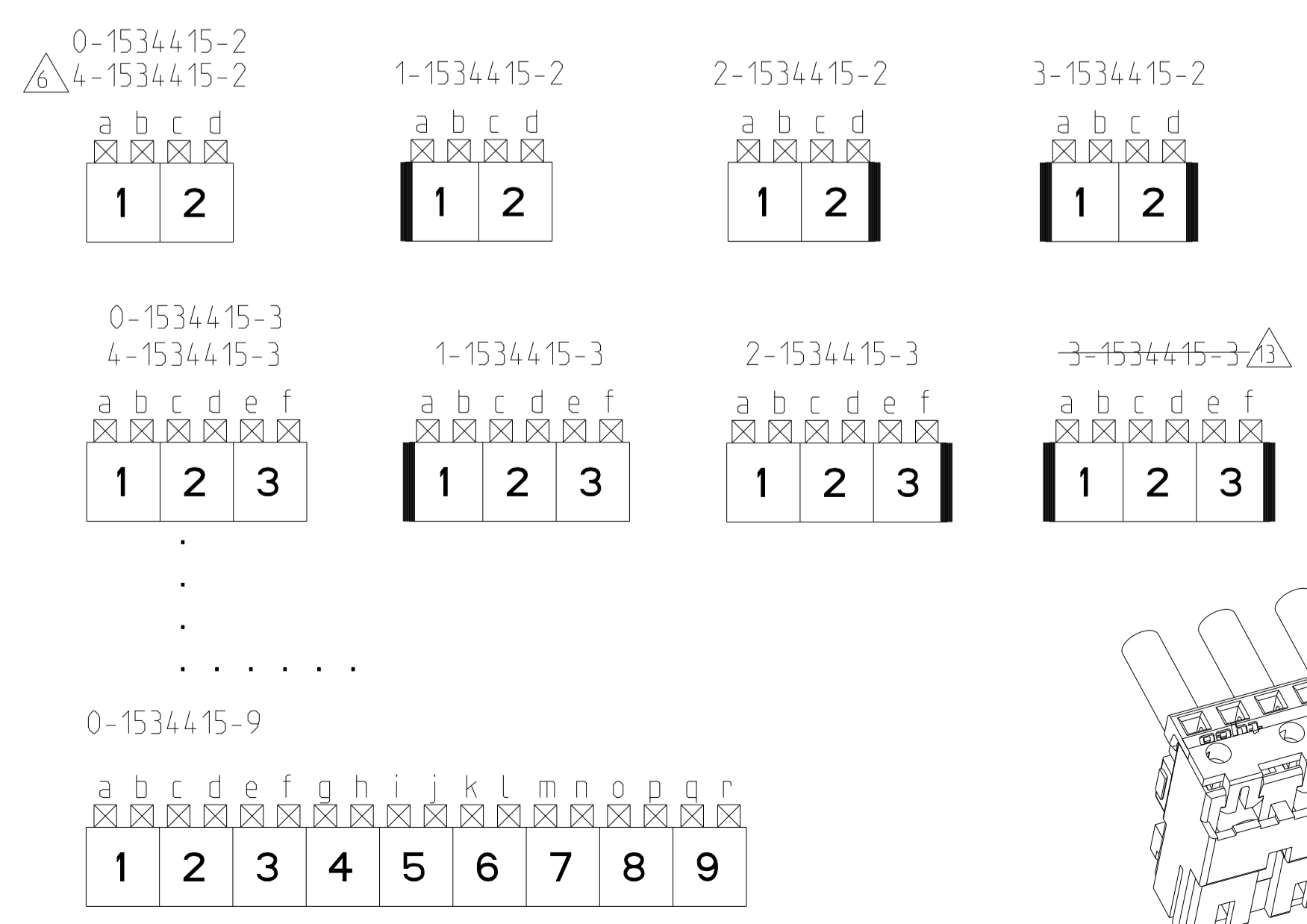


LOC	DIST	REVISIONS			
P	LTR	DESCRIPTION	DATE	DMN	APVD
D23	ECR-21-114072		22SEP2021	SM	FL
rev_sym	2ECR-21-115341		28SEP2021	SM	FL
D25	ECR-22-141077		03MAR2023	SM	FL
D26	ECR-23-178155		15JUN2023	SP	FL

PCB LAYOUT KEYED / CONNECTED ONLY WITH ADDITIONAL FRAME
 Leiterplattenanschluss kodiert / nur in Verbindung mit zusätzlichem Rahmen



KEYING PLAN (VIEW Z)
 Kodierschema (Ansicht Z)



- 17 RELEASED PART WITH PENDING AGENCY APPROVALS.
(REF. VDE ORDER N. 295903)
(REF. UL PROJECT N. 4790473412)
- 16 KEYING BETWEEN POSITIONS
- 15 UL94 V0 AND GLOW WIRE TEST 750 °C WITHOUT FLAME
- 14 PRELIMINARY PART NOT RELEASED FOR PRODUCTION
- 13 OBSOLETE
- 12 TE LOGO

- 11 X...CAVITY LOADED WITH CONTACT
0...CAVITY WITHOUT CONTACT
X...Kammer mit Kontakt
0...Kammer ohne Kontakt
- 10 GLOW WIRE TEST 750 °C WITHOUT FLAME
Gluehdrahttest 750°C ohne Flamme
- 9 INCLUSIVE COPPER CLADDING:
Inklusive Kupferkaschierung:
- 8 PCB PREFERABLY CHAMFERED.
Leiterplatte vorzugsweise angefast.
- 7 SLOT FOR SIDE KEYING. 4 4
Schlitz fuer Seitenkodierung. 4 4 .
- 6 COLOUR MARKING ON TOP OF HOUSING OPTIONAL ON TERMINATION MACHINE
Farbmarkierung auf Gehäuseoberseite optional an Verarbeitungsmaschine
- MATING PART: PCB (WITH FRAMES ACC. RAST 2.5 E.G. PN 964 575/576)
TABHEADER PN 1 534 787/788
5 Passender Gegenstecker: Leiterplatten (mit Rahmen nach RAST 2.5 z.B. 964 575/576)
Tabwannen Nr. 1 534 787/788
- 4 SIDE KEYING, ON LAST CAVITY
Seitenkodierung, an letzter Kammer
- 3 SIDE KEYING, ON CAVITY 1
Seitenkodierung, an Kammer 1
- 2 WIRE RANGE: 0.35-0.75 mm²
Drahtgrößenbereich: 0.35-0.75 mm²
- 1 KEYING RIBS; CUTTING WITH TERMINATION MACHINE POSSIBLE
Kodierrippe; Schneiden auf der Verarbeitungsmaschine möglich

THIS DRAWING IS A CONTROLLED DOCUMENT.		DMN H. Karabiyik 13OCT2016	
DIMENSIONS: mm		CHK B. Schnaubelt 24JAN2002	
TOLERANCES UNLESS OTHERWISE SPECIFIED:		APVD T. Klenner 24JAN2002	NAME AMP DUOPLUG POWER FEMALE CONNECTOR (Standard Version)
0 PLC ±0.2		PRODUCT SPEC	SIZE CAGE CODE DRAWING NO RESTRICTED TO
1 PLC ±0.2		108-18780	A1 00779 C=1534415
2 PLC ±0.2		APPLICATION SPEC	SCALE 5:1 SHEET 1 OF 2
3 PLC ±0.2		114-18458	REVISION U26
4 PLC ±0.2		WEIGHT	
ANGLES ±°		CUSTOMER DRAWING	
FINISH ±μm			

LOC	DIST	REVISIONS			
P	LTN	DESCRIPTION	DATE	OWN	APVD
rev_sym_1	1567	Getif T1	rev.date	rev.dwn	rev.appr
rev_sym_2	rev_desc_2		rev.date	rev.dwn	rev.appr
rev_sym_3	rev_desc_3		rev.date	rev.dwn	rev.appr
rev_sym_4	rev_desc_4		rev.date	rev.dwn	rev.appr

GWPT 750°C NO FLAME + UL94-V0																		
10	9	8	7	6	5	4	3	2	1	NATURE	10	40	49.9	3/4	-	-	2-2328644-0	
X	X	X	X	X	X	X	X	X	X	NATURE	10	40	49.9	3/4	-	-	2-2328644-0	
X	X	X	X	X	X	X	X	X	X	NATURE	10	40	49.9	-	-	-	1-2328644-0	
	X	X	X	X	X	X	X	X	X	NATURE	9	40	44.9	-	-	-	-	
			0	0	X	X	X	X	X	NATURE	7	30	34.9	-	-	-	1-2328644-7	
				X	X	X	X	X	X	NATURE	7	30	34.9	-	-	-	2328644-7	
					X	X	X	X	X	NATURE	5	20	24.9	-	-	-	2328644-5	
								X	0	X	BLACK	3	10	14.9	2/3	-	1-2328644-3	
								X	X	X	NATURE	3	10	14.9	-	-	X	2328644-3
								X	X	X	NATURE	3	10	14.9	-	X	-	5-1534415-3
								X	X	NATURE	2	5	9.9	-	-	-	-	
CAVITY LOADED										COLOR	POS.	DIM A	DIM B	KEYING	KEYING	KEYING	TE P/N	
2	SEE TABLE siehe Tabelle		CONTACT		CuNiSi		TINNED											
1	1		Federleistengehaeuse		PA 66		NATUR/Natur											
POS.	TE P/N		DESCRIPTION		MATERIAL		COLOUR/FINISH											

GWPT 750°C NO FLAME + UL94-V2																		
10	9	8	7	6	5	4	3	2	1	NATURE	10	45	49.9	3/4	-	-	2-1534415-0	
X	X	X	X	X	X	X	X	X	X	NATURE	10	45	49.9	3/4	-	-	2-1534415-0	
X	X	X	X	X	X	X	X	X	X	NATURE	10	45	49.9	-	-	-	1-1534415-0	
	X	X	X	X	X	X	X	X	X	NATURE	9	40	44.9	-	-	-	0-1534415-9	
		X	X	X	X	X	X	X	X	NATURE	8	35	39.9	-	-	-	0-1534415-8	
			X	X	X	X	X	X	X	NATURE	7	30	34.9	-	-	-	0-1534415-7	
				X	X	X	X	X	X	NATURE	6	25	29.9	-	-	-	0-1534415-6	
					X	X	X	X	X	NATURE	5	20	24.9	-	-	-	0-1534415-5	
						X	X	X	X	NATURE	4	15	19.9	-	-	X	3-1534415-4	
							X	X	X	NATURE	4	15	19.9	3/4	X	X	2-1534415-4	
								X	X	NATURE	4	15	19.9	2/3	X	X	1-1534415-4	
								X	X	NATURE	4	15	19.9	-	-	-	0-1534415-4	
								X	X	RED	3	10	14.9	-	-	X	8-1534415-3	
								X	X	GREEN	3	10	14.9	-	-	X	7-1534415-3	
								X	X	NATURE	3	10	14.9	1/2	-	X	6-1534415-3	
								X	0	X	NATURE	3	10	14.9	-	-	-	4-1534415-3
								X	X	X		3	10	14.9	-	X	X	3-1534415-3
								X	X	NATURE	3	10	14.9	-	-	-	2-1534415-3	
								X	X	NATURE	3	10	14.9	-	-	X	1-1534415-3	
								X	X	NATURE	3	10	14.9	-	-	-	0-1534415-3	
								X	X	BROWN	2	5	9.9	-	-	-	4-1534415-2	
								X	X	NATURE	2	5	9.9	-	-	X	3-1534415-2	
								X	X	NATURE	2	5	9.9	-	-	-	2-1534415-2	
								X	X	NATURE	2	5	9.9	-	-	X	1-1534415-2	
								X	X	NATURE	2	5	9.9	-	-	-	0-1534415-2	
10	9	8	7	6	5	4	3	2	1	COLOR	POS.	DIM A	DIM B	KEYING	KEYING	KEYING	PN Bestell-Nr.	
CAVITY LOADED										COLOR	POS.	DIM A	DIM B	KEYING	KEYING	KEYING	PN Bestell-Nr.	
2	SEE TABLE siehe Tabelle		KONTAKT		CuNiSi		TINNED											
1	1		Federleistengehaeuse		PA 66		NATUR/Natur											
POS.	PN Bestell-Nr.		DESCRIPTION Beschreibung		MATERIAL		COLOUR/FINISH Farbe/Oberflaeche											

THIS DRAWING IS A CONTROLLED DOCUMENT.		OWN H. Karabiyik	130CT2016		TE Connectivity	
DIMENSIONS: mm		CHK B. Schnaubelt	24 JAN 2002		NAME AMP DUOPLUG POWER FEMALE CONNECTOR (Standard Version)	
TOLERANCES UNLESS OTHERWISE SPECIFIED:		APVD T. Klenner	24 JAN 2002	PRODUCT SPEC 108-18780		
MATERIAL		APPLICATION SPEC 116-18458		SIZE A1		
CUSTOMER DRAWING		WEIGHT		CAGE CODE 00779		
		SCALE 5:1		DRAWING NO. 1534415		
		SHEET 2		OF 2		
		REVISION U26				