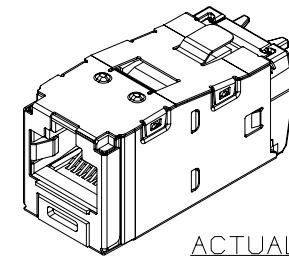
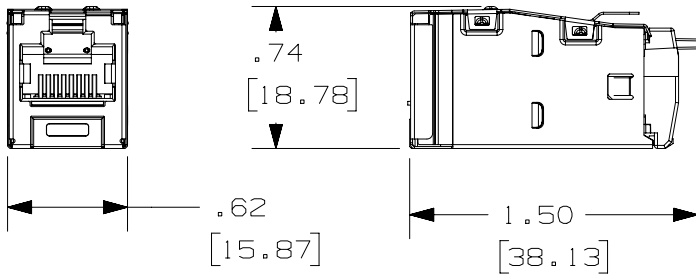
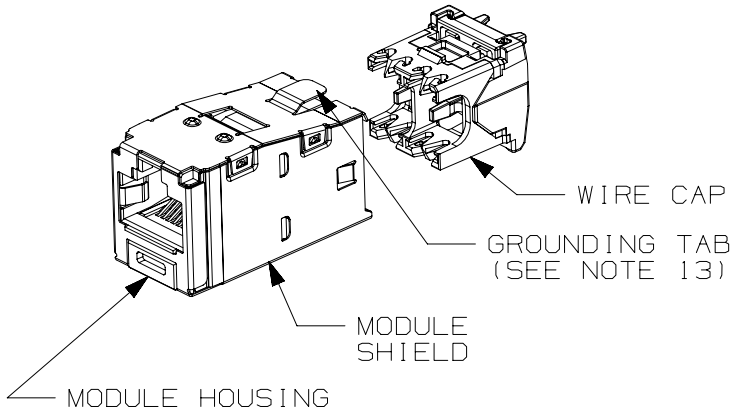


THIS COPY IS PROVIDED ON A RESTRICTED BASIS AND IS NOT TO BE USED IN ANY WAY DETRIMENTAL TO THE INTERESTS OF PANDUIT CORP.

NOTES:

- VISIT OUR ON-LINE CATALOG AT WWW.PANDUIT.COM FOR A LIST OF CURRENT PARTS APPLICABLE FOR USE WITH THIS PRODUCT.
- BLUE COLOR WIRE CAP ASSEMBLY DESIGNATES TIA CATEGORY 6A (ISO 11801 CLASS EA) PERFORMANCE.
- COLOR OF JACK MODULE IS INDICATED BY ** IN THE PART NUMBER (EXAMPLE: CJS6X88TGBUY FOR BLUE JACK). SEE WWW.PANDUIT.COM FOR AVAILABLE COLOR CODES.
- PART NUMBERS OF AVAILABLE PACKAGE TYPES ARE SHOWN IN TABLE 1.
- TERMINATION TOOL TO BE USED IS EGJT-1. SOME PACKAGE TYPES INCLUDE A TERMINATION TOOL, SEE TABLE 1 FOR DETAILS.
- ALL TX6A™ 10GIG™ CATEGORY 6A, 8 POSITION, 8 WIRE CONNECTOR MODULES ARE UNIVERSAL IN DESIGN. THEY ACCEPT ACCCEPT SIX AND EIGHT POSITION MODULAR PLUGS WITHOUT DAMAGE.
- TERMINATES 22-26 AWG SOLID OR STRANDED UTP CABLE STRAIGHT HORIZONTALLY.
- SEE INSTALLATION INSTRUCTION FOR PROPER TERMINATION METHOD.
- WIRE CAP LABEL WHICH IS PART OF THE WIRE CAP ASSEMBLY IS CODED FOR T568A AND T568B WIRING SCHEMES.
- PART INCLUDES:
MODULE HOUSING: ABS W/ UL94V-0 FLAME RATING.
MODULE SHIELD: TIN PLATED OVER PHOSPHORUS BRONZE
WIRE CAP ASSEMBLY: DIECAST ZINC AND POLYCARBONATE, UL94V-0 FLAME RATING.
- WEIGHT: 3.314 LBS/100 PCS (1503 g/100 PCS).
- DIMENSIONS IN [] ARE METRIC.
- 0.187" X 0.010" GROUNDING TAB PROVIDED AS OPTIONAL PATH FOR GROUNDING.
- ALL MATERIALS AND COMPONENTS USED MEET THE LATEST RoHS REQUIREMENTS.



ACTUAL SIZE

TABLE 1: PACKAGE TYPE AND TERMINATION TOOL

PART NUMBER	PACKAGED QUANTITY	TERMINATION TOOL: EGJT-1
CJS6X88TG**Y	INDIVIDUALLY PACKAGED, 50 PER CARTON	NOT INCLUDED
CJS6X88TG**Y-24	BULK PACKAGED, 24 PER BAG	INCLUDED (1 PER BAG)

PART NUMBER		SEE TABLE 1	
TITLE			
TX6A™ 10GIG™ CATEGORY 6A SHIELDED JACK MODULE			
CUSTOMER DRAWING			
ITEM REVISION NAME		M02479NU/06	
DATASET FILE NAME		M02479NU_DC359/06C	
		THIRD ANGLE PROJECTION	
MATERIAL		SEE NOTE 10	
DRAWING NUMBER		02479-359	
DRAWN BY	DATE	CHK	SCALE
AFW	3-11-06	NGM	FULL
REV	DATE	BY	CHK
8	10-24-18	BJN	DCS
APR		TMBA	
DESCRIPTION		ECN	
UPDATED NOTES; ADDED TABLE 1		00153LAL-02	
SHEET 1 OF 1		SIZE	
A		A	

REV	DATE	BY	CHK	APR	DESCRIPTION	ECN
8	10-24-18	BJN	DCS	TMBA	UPDATED NOTES; ADDED TABLE 1	00153LAL-02

A-SIZE CUSTOMER