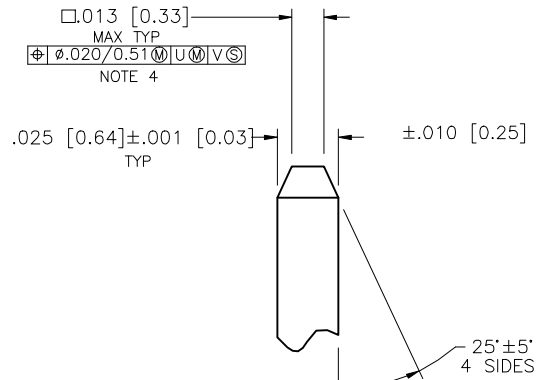
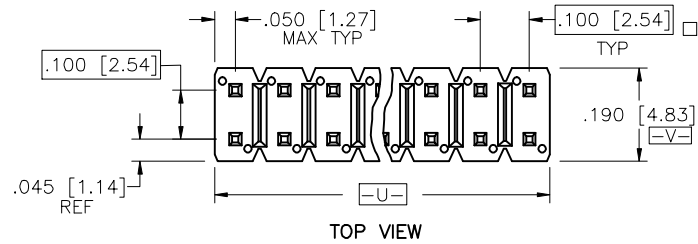
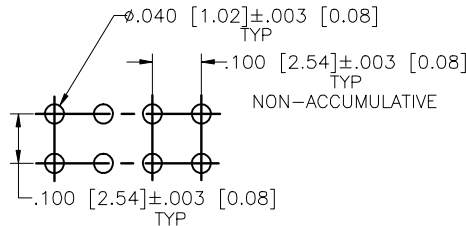
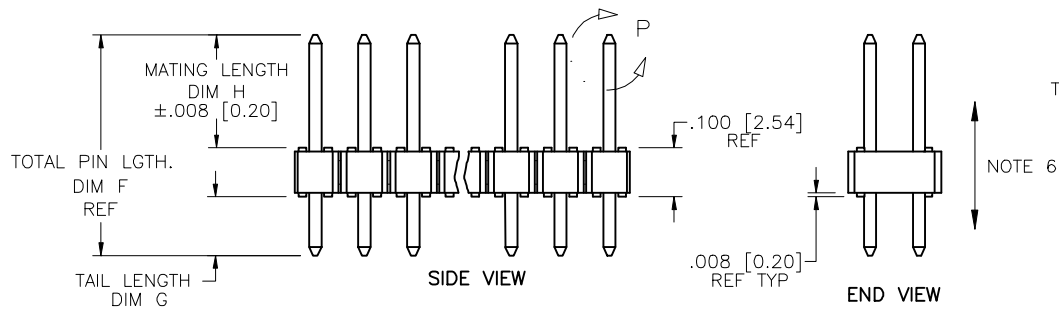


PRODUCT NUMBER
XXXXX-YYY HPLF

- LEAD FREE OPTION
SEE NOTE 1,13
- SPECIAL OPTIONS
SEE NOTE 1 OR 10
- HIGH TEMPERATURE PLASTIC
SEE NOTE 1
- NO. OF POSITIONS
SEE NOTE 1
- PIN PLATING
SEE SHEET 2
- BASE PART NO.



DETAIL P
SCALE 5:1
TYP BOTH ENDS



RECOMMENDED HOLE PATTERN

67996-X XX-XXX XXX LF

- TAIL LENGTH (EXAMPLE BELOW)
3.0mm=030 12.8mm=128
(SEE NOTE 16 & 17)
- MATING LENGTH (EXAMPLE BELOW)
5.0mm=050 25.5mm=255
(SEE NOTE 16 & 17)
- TOTAL NUMBER OF POSITIONS
FROM 2 (2X1) THRU 72 (2X36) POS.
- PIN PLATING (SEE NOTE 14)
1=0.76µm Au
4= PURE TIN
8=0.36µm Au
- BASE PART NO.
DOUBLE ROW

| | | | | | | |
|--------------------------------|----------|---------------------|----------------------------------|---------------------------------------|---|----|
| mat'l. code SEE NOTES 2 & 3 | | surface ISO 1302 | tolerance ISO 406 ISO 1301 | projection INCH/MM | product family BERGSTIK | |
| ltr | ecn no | dr | date | tolerances unless otherwise specified | title | |
| CV | M05-0072 | MHT | 5/03/05 | linear .XX±.01/XX±0.3 | BERGSTIK® II HDR. D/R .100/2.54cc STRAIGHT | |
| CW | M06-0268 | MHT | 7/17/06 | linear .XXX±.006/XXX±0.13 | | |
| CX | M06-0348 | MHT | 9/04/06 | linear .XXX±.0020/XXX±0.051 | scale 1:1 | |
| CY | M06-0468 | MHT | 11/27/08 | dr | dwg no | |
| DA | M08-0169 | MHT | 2/20/08 | engr | sheet 1 of 8 | |
| DB | M08-0272 | MHT | 9/25/08 | chr | size | |
| DC | M08-0331 | MHT | 12/01/08 | appd | A3 | |
| sheet | revision | DC | DC | DC | DC | DC |
| index | sheet | 1 | 2 | 3 | 4 | 5 |

| PIN PLATING CODES: | |
|--------------------|---|
| XXXX-1YY | 30u"/0.76u MIN (SEE NOTE 14) OVER 50u"/1.27u MIN Ni |
| XXXX-2YY | 15u"/0.38u MIN (SEE NOTE 14) OVER 50u"/1.27u MIN Ni |
| XXXX-3YY | 50u"/1.27u MIN Au OVER 50u"/1.27u MIN Ni |
| XXXX-4YY | 100u"/2.54u MIN Sn OVER 50u"/1.27u MIN Ni (SEE NOTE 15) |
| XXXX-4YYHLF | |
| XXXX-5YY | 15u"/0.38u MIN (SEE NOTE 14) OVER 50u"/1.27u MIN Ni |
| XXXX-6YY | 30u"/0.76u MIN (SEE NOTE 14) OVER 50u"/1.27u MIN Ni |
| XXXX-7YY | 30u"/0.76u MIN Au OVER 50u"/1.27u MIN Ni |
| XXXX-8YY | 15u"/0.38u MIN Au OVER 50u"/1.27u MIN Ni |
| XXXX-9YY | 15u"/0.38u MIN GXT OVER 50u"/1.27u MIN Ni |
| XXXX-0YY | 30u"/0.76u MIN GXT OVER 50u"/1.27u MIN Ni |

NOTES

①. PART NUMBER OPTIONS:

PIN PLATING CODES (SEE ABOVE)

HIGH TEMPERATURE MATERIAL:

PART NUMBERS WITH AND WITHOUT "H" WILL BE SUPPLIED WITH HIGH TEMPERATURE PLASTIC.

NUMBER OF POSITIONS :

EVEN NUMBER OF POSITIONS FROM 2 (2X1) THROUGH 72 (2X36).
 -X00H INDICATES BERGSTRIIP PRODUCT. SEE PAGE 3
 FOR SPECIAL GEOMETRY OF THIS CONTINUOUS STRIP PRODUCT.
 AUTOMATED REELS WILL CONTAIN 45,000 PINS.
 SEE SPECIFIC PART NUMBERS FOR AVAILABILITY.

PACKAGING:

PACKAGED IN POLY BAGS.
 EIGHT DIGIT PART NUMBERS FOLLOWED BY A "T" ARE PACKAGED IN TUBES. SEE SPECIFIC PART NUMBERS FOR AVAILABILITY.
 EIGHT DIGIT PART NUMBERS FOLLOWED BY A "G" ARE PACKAGED IN GPAX FOR IBM ONLY. SEE SPECIFIC PART NUMBERS FOR AVAILABILITY.
 PART NUMBERS FOLLOWED BY A "C" ARE PACKAGED IN TUBES WITH A PICKUP CAP APPLIED.

LEAD FREE:

ADD "HLF" SUFFIX AT THE END OF PART NUMBER FOR LEAD FREE OPTION, NOT AVAILABLE FOR -5YY, -5YYH, -6YY & -6YYH

②. BODY MATERIAL:

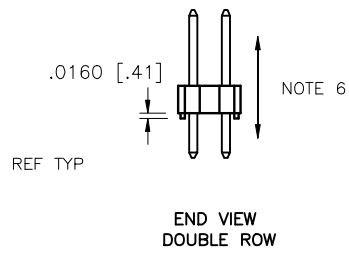
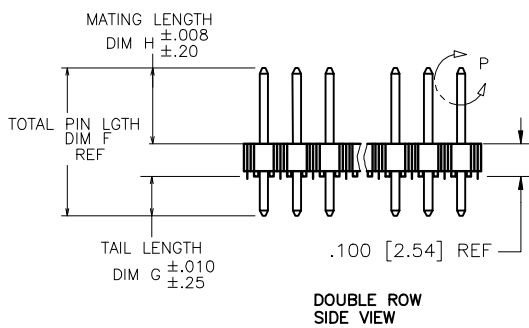
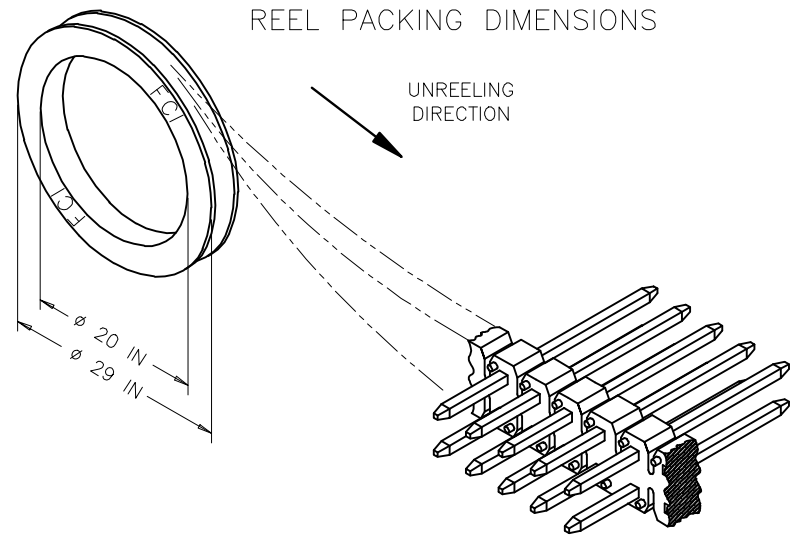
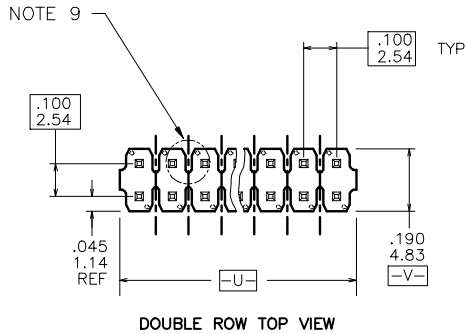
BODY MATERIAL : MANUFACTURER'S OPTION OF NYLON, PCT GLASS FIBER REINFORCED OR MINERAL FILLED LCP FLAME RETARDENT PER UL-94V-0. COLOR: BLACK
 BERGSTRIIP™ PRODUCED WITH HIGH TEMPERATURE LCP THERMOPLASTIC, FLAME RETARDENT PER UL-94V-0. COLOR: BLACK
 PART NUMBERS WITH "H" AND WITHOUT SUFFIX WILL WITHSTAND EXPOSURE TO 260° C PEAK TEMPERATURE FOR 20 SECONDS IN WAVE SOLDER, INFRA-RED OR VAPOR PHASE SOLDER PROCESS.

- ③. PIN MATERIAL: PHOS BRONZE.
- ④. MEASURED WITH PART IN RESTRAINED CONDITION.
- 5. TWO SIDES OF PIN TIPS NOT PLATED. TYPICAL BOTH ENDS.
- ⑥. 2LBS/0.9KG MIN PIN RETENTION IN EITHER DIRECTION.
- 7. MILITARY BERGSTIK HEADER
 P/N XXXXX-YYY-MIL
 NOT AVAILABLE.
- ⑧. ±.010/0.25 TOL APPLIES TO ALL "G" TAILS EXCEPT INDICATED PARTS ON TABLE WHERE +.010/0.25 -.000/0.00 APPLIES.
- ⑨. NOTCH CONFIGURATION WILL VARY PER VENDOR'S DISCRETION.
- ⑩. BERGSTRIIP™ PART NUMBERS FOLLOWED BY BY A "B" ARE BULK PRICED.
- ⑪. TAIL LENGTH (DIM. G) TO BE ±.008/.020.
- 12. POSITIONS PER ROW 37 TO 50 CAN BE PRODUCED, BUT FLATNESS AND CURVATURE MAY NOT BE HELD AS CLOSE AS 36 POSITIONS.
- ⑬. THESE PRODUCTS MEETS EUROPEAN UNION DIRECTIVES AND OTHER COUNTRY REGULATION AS DESCRIBED IN GS-22-008.
- ⑭. PLATING OPTIONS:
 MAY BE EITHER GOLD OR GXT PLATED AT MANUFACTURER'S OPTION.
- ⑮. "THIS PRODUCT HAS 100% TIN PLATING IN THE INTERFACE AND HAS NOT BEEN TESTED FOR WHISKER GROWTH IN ALL INTERCONNECT ENVIRONMENTS."
- ⑯. THE OAL DON'T EXCEED 34.5mm
- ⑰. INCREMENTS BY 0.1mm IN LENGTHS ONLY
- 18. FOR SPECIAL PACKAGING REQUEST PLEASE CONTACT PRODUCT MANAGER FOR AVAILABILITY

| | | | | | |
|--------------------------------|----------|---------------------|----------------------------------|------------|---|
| mat'l. code SEE NOTES 2 & 3 | | surface ISO 1302 | tolerance ISO 406 ISO 1101 | projection | product family BERGSTIK |
| ltr | ecn no | dr | date | INCH/MM | title BERGSTIK II HDR. D/R .100/2.54cc STRAIGHT |
| DC | | | | linear | scale 1:1 |
| | | | | angles | sheet 2 of 8 size |
| | | | | 0'±2' | 67996 A3 |
| | | | | dr | type Product Customer Drawing |
| | | | | engr | |
| | | | | chr | |
| | | | | appd | |
| sheet | revision | | | | |
| index | sheet | | | | |

1 2 3 4 5 6

BERGSTRIPTM HEADER



Copyright FCI

| | | | | | |
|--------------------------------|----------------|---------------------|----------------------------------|---|----------------------------|
| mat'l. code SEE NOTES 2 & 3 | | surface ISO 1302 | tolerance ISO 406 ISO 1101 | projection INCH/MM | product family BERGSTIK |
| ltr | ecn no | dr | date | title BERGSTIK II HDR. D/R .100/2.54cc STRAIGHT | |
| DC | | | | scale 1:1 | dwg no 67996 |
| | | | | | sheet 3 of 8 size A3 |
| | | dr | T.BREWBAKER 12/21/94 | type Product Customer Drawing | |
| | | engr | T.HANNA 12/21/94 | | |
| | | chr | J.MURPHY 12/21/94 | | |
| | | appd | T.HANNA 12/21/94 | | |
| sheet index | revision sheet | | | | |

form: A3 1 2 3 4 5 6

| PRODUCT NUMBER | TOT. PIN LGTH. | | TAIL LENGTH | | MATING LENGTH | | PACKAGING | NOTES | BERGSTRIIP™ AVAILABLE | LF OPTION |
|----------------|----------------|--------|-------------|--------|---------------|--------|-----------------|-------|-----------------------|-----------|
| | DIM F | DIM F | DIM G | DIM G | DIM H | DIM H | | | | |
| | ENGLISH | METRIC | ENGLISH | METRIC | ENGLISH | METRIC | | | | |
| 55005-XYH | 0.597 | 15.16 | 0.095 | 2.41 | 0.402 | 10.21 | POLY BAGS | - | YES | NOTE 1,13 |
| 55030-XYH | 0.630 | 16.00 | 0.150 | 3.81 | 0.380 | 9.65 | POLY BAGS | - | YES | |
| 67996-XY | 0.425 | 10.80 | 0.095 | 2.41 | 0.230 | 5.84 | POLY BAGS/TUBES | - | YES | |
| 67997-XY | 0.450 | 11.43 | 0.120 | 3.05 | 0.230 | 5.84 | POLY BAGS/TUBES | - | YES | |
| 67997-XYH | 0.450 | 11.43 | 0.120 | 3.05 | 0.230 | 5.84 | POLY BAGS/TUBES | - | YES | |
| 67998-XY | 0.525 | 13.34 | 0.107 | 2.72 | 0.318 | 8.08 | POLY BAGS/TUBES | - | YES | |
| 67999-XY | 0.548 | 13.92 | 0.130 | 3.30 | 0.318 | 8.08 | POLY BAGS | - | NO | |
| 68438-XY | 0.555 | 14.10 | 0.225 | 5.72 | 0.230 | 5.84 | POLY BAGS/TUBES | - | NO | |
| 68439-XY | 0.720 | 18.29 | 0.120 | 3.05 | 0.500 | 12.70 | POLY BAGS | - | NO | |
| 68464-XY | 0.650 | 16.51 | 0.120 | 3.05 | 0.430 | 10.92 | POLY BAGS/TUBES | - | NO | |
| 68481-XY | 0.480 | 12.19 | 0.095 | 2.41 | 0.285 | 7.24 | POLY BAGS/TUBES | - | NO | |
| 68482-XY | 0.938 | 23.83 | 0.318 | 8.08 | 0.520 | 13.21 | POLY BAGS | - | NO | |
| 68491-XY | 0.475 | 12.07 | 0.120 | 3.05 | 0.255 | 6.48 | POLY BAGS/TUBES | - | NO | |
| 68600-XY | 0.825 | 20.96 | 0.115 | 2.92 | 0.610 | 15.49 | POLY BAGS | - | NO | |
| 68601-XY | 0.620 | 15.75 | 0.120 | 3.05 | 0.400 | 10.16 | POLY BAGS | - | NO | |
| 68602-XY | 0.480 | 12.19 | 0.150 | 3.81 | 0.230 | 5.84 | POLY BAGS | - | NO | |
| 68690-XY | 0.533 | 13.54 | 0.115 | 2.92 | 0.318 | 8.08 | POLY BAGS | - | NO | |
| 68691-XY | 0.538 | 13.67 | 0.120 | 3.05 | 0.318 | 8.08 | POLY BAGS | - | YES | |
| 68692-XY | 0.430 | 10.92 | 0.100 | 2.54 | 0.230 | 5.84 | POLY BAGS | - | NO | |
| 68693-XY | 0.938 | 23.83 | 0.520 | 13.21 | 0.318 | 8.08 | POLY BAGS | - | NO | |
| 68716-XY | 0.828 | 21.03 | 0.410 | 10.41 | 0.318 | 8.08 | POLY BAGS | - | NO | |
| 68734-XY | 0.615 | 15.62 | 0.230 | 5.84 | 0.285 | 7.24 | POLY BAGS | - | NO | |
| 68737-XY | 0.440 | 11.18 | 0.110 | 2.79 | 0.230 | 5.84 | POLY BAGS | - | YES | |
| 68738-XY | 0.615 | 15.62 | 0.115 | 2.92 | 0.400 | 10.16 | POLY BAGS | - | NO | |
| 68739-XY | 0.486 | 12.34 | 0.156 | 3.96 | 0.230 | 5.84 | POLY BAGS | - | NO | |
| 68743-XY | 0.638 | 16.21 | 0.220 | 5.59 | 0.318 | 8.08 | POLY BAGS | - | NO | |
| 68749-XY | 0.838 | 21.29 | 0.420 | 10.67 | 0.318 | 8.08 | POLY BAGS | - | NO | |
| 68779-XY | 0.736 | 18.69 | 0.318 | 8.08 | 0.318 | 8.08 | POLY BAGS | - | NO | |
| 68783-XY | 0.375 | 9.53 | 0.045 | 1.14 | 0.230 | 5.84 | POLY BAGS | - | NO | |
| 68799-XY | 0.925 | 23.50 | 0.595 | 15.11 | 0.230 | 5.84 | POLY BAGS | - | NO | |

NOTE 1,13



FCconnect.com

Copyright FCJ

| | | | | | |
|--------------------------------|----------------|---------------------|----------------------------------|---|---|
| mat'l. code SEE NOTES 2 & 3 | | surface ISO 1302 | tolerance ISO 406 ISO 1101 | projection | product family BERGSTIK |
| ltr | ecn no | dr | date | tolerances unless otherwise specified | title BERGSTIK II HDR. D/R .100/2.54cc STRAIGHT |
| DC | | | | linear XX±.01/XX±0.3 XXX±.006/XXX±0.13 O'±2' XXXX±.0020/XXX±0.051 | INCH/MM scale 1:1 |
| dr | T.BREWBAKER | 12/21/94 | | | dwg no 67996 |
| engr | T.HANNA | 12/21/94 | | | sheet 4 of 8 size A3 |
| chr | J.MURPHY | 12/21/94 | | | type Product Customer Drawing |
| appd | T.HANNA | 12/21/94 | | | |
| sheet index | revision sheet | | | | |

Form A3 1 2 3 4 5 6

| PRODUCT NUMBER | TOT. PIN LGTH. | | TAIL LENGTH | | MATING LENGTH | | PACKAGING | NOTES | BERGSTRIPTM AVAILABLE | LF OPTION |
|----------------|----------------|--------|-------------|--------|---------------|--------|-----------------|---------|--------------------------|--------------|
| | DIM F | DIM F | DIM G | DIM G | DIM H | DIM H | | | | |
| | ENGLISH | METRIC | ENGLISH | METRIC | ENGLISH | METRIC | | | | |
| 69132-YYY | 0.760 | 19.30 | 0.120 | 3.05 | 0.540 | 13.72 | POLY BAGS/TUBES | - | NO | NOTE 1,13 |
| 69133-YYY | 0.615 | 15.62 | 0.285 | 7.24 | 0.230 | 5.84 | POLY BAGS | - | NO | |
| 69157-YYY | 0.410 | 10.41 | 0.110 | 2.79 | 0.200 | 5.08 | POLY BAGS | - | NO | |
| 71217-XXYH | 1.000 | 25.40 | 0.450 | 11.43 | 0.450 | 11.43 | POLY BAGS | - | NO | |
| 71222-XXYH | 0.850 | 21.59 | 0.250 | 6.35 | 0.500 | 12.70 | POLY BAGS | - | NO | |
| 72273-XXYH | 0.725 | 18.42 | 0.110 | 2.79 | 0.515 | 13.08 | POLY BAGS | - | NO | |
| 72448-XXYH | 0.658 | 16.71 | 0.172 | 4.37 | 0.386 | 9.80 | POLY BAGS | - | NO | |
| 72455-XXYH | 0.598 | 15.19 | 0.180 | 4.57 | 0.318 | 8.08 | POLY BAGS | - | NO | |
| 72455-632HG | 0.598 | 15.19 | 0.180 | 4.57 | 0.318 | 8.08 | GPAX | NOTE 1 | NO | |
| 73503-XXYH | 0.420 | 10.67 | 0.120 | 3.05 | 0.200 | 5.08 | POLY BAGS | - | NO | |
| 73596-XXYH | 0.795 | 20.19 | 0.110 | 2.79 | 0.585 | 14.86 | POLY BAGS | - | NO | |
| 74317-XXYH | 0.532 | 13.51 | 0.309 | 7.85 | 0.123 | 3.12 | POLY BAGS | NOTE 11 | NO | |
| 74318-XXYH | 0.592 | 15.04 | 0.369 | 9.37 | 0.123 | 3.12 | POLY BAGS | NOTE 11 | NO | |
| 74999-XXYH | 0.508 | 12.90 | 0.090 | 2.29 | 0.318 | 8.08 | POLY BAGS | - | NO | |
| 78212-YYY | 0.710 | 18.03 | 0.350 | 8.89 | 0.260 | 6.60 | POLY BAGS | - | NO | |
| 78233-YYY | 0.568 | 14.43 | 0.150 | 3.81 | 0.318 | 8.08 | POLY BAGS | - | NO | |
| 78269-YYY | 0.385 | 9.78 | 0.095 | 2.41 | 0.190 | 4.83 | POLY BAGS | - | NO | |
| 78286-YYY | 0.500 | 12.70 | 0.160 | 4.06 | 0.240 | 6.10 | POLY BAGS/TUBES | - | NO | |
| 78932-YYY | UNAVAILAB | LE | UNAVAILAB | LE | UNAVAILAB | LE | | - | - | |
| 78933-YYY | 0.695 | 17.65 | 0.285 | 7.24 | 0.310 | 7.87 | POLY BAGS | - | NO | |
| 78988-YYY | 0.540 | 13.72 | 0.135 | 3.43 | 0.305 | 7.75 | POLY BAGS | - | NO | |
| 78989-YYY | UNAVAILAB | LE | UNAVAILAB | LE | UNAVAILAB | LE | | - | - | |
| 78990-YYY | UNAVAILAB | LE | UNAVAILAB | LE | UNAVAILAB | LE | | - | - | |
| 78991-YYY | UNAVAILAB | LE | UNAVAILAB | LE | UNAVAILAB | LE | | - | - | |
| 78992-YYY | UNAVAILAB | LE | UNAVAILAB | LE | UNAVAILAB | LE | | - | - | |
| 78993-YYY | UNAVAILAB | LE | UNAVAILAB | LE | UNAVAILAB | LE | | - | - | |
| 78994-YYY | UNAVAILAB | LE | UNAVAILAB | LE | UNAVAILAB | LE | | - | - | NOTE 1,13 |



Copyright FCJ

| | | | | |
|--------------------------------|---------------------|----------------------------------|----------------|---|
| mat'l. code SEE NOTES 2 & 3 | surface ISO 1302 | tolerance ISO 406 ISO 1101 | projection | product family BERGSTIK |
| ltr | ecn no | dr | date | title BERGSTIK®II HDR. D/R .100/2.54cc STRAIGHT |
| DC | | | | scale 1:1 |
| | | | | linear XX±.01/XX±0.3 XXX±.006/XXX±0.13 XXX±.0020/XXX±0.051 |
| | | | | INCH/MM |
| | | | | dwg no 67996 sheet 5 of 8 size A3 |
| | | | | type Product Customer Drawing |
| sheet index | revision sheet | | | |

Form A3 1 2 3 4 5 6

| PRODUCT NUMBER | TOT. PIN LGTH. | | TAIL LENGTH | | MATING LENGTH | | PACKAGING | NOTES | BERGSTRIPTM | LF OPTION |
|----------------|----------------|--------|-------------|--------|---------------|--------|-----------|--------|-------------|-----------|
| | DIM F | DIM F | DIM G | DIM G | DIM H | DIM H | | | AVAILABLE | |
| | ENGLISH | METRIC | ENGLISH | METRIC | ENGLISH | METRIC | | | | |
| 78995-YYY | UNAVAILAB | LE | UNAVAILAB | LE | UNAVAILAB | LE | UNAVAILAB | LE | UNAVAILAB | NOTE 1,13 |
| 78996-YYY | UNAVAILAB | LE | UNAVAILAB | LE | UNAVAILAB | LE | UNAVAILAB | LE | UNAVAILAB | |
| 79242-YYY | 0.930 | 23.62 | 0.340 | 8.64 | 0.490 | 12.45 | POLY BAGS | - | NO | |
| 79243-YYY | 1.230 | 31.24 | 0.390 | 9.91 | 0.740 | 18.80 | POLY BAGS | - | NO | |
| 79244-YYY | UNAVAILAB | LE | UNAVAILAB | LE | UNAVAILAB | LE | UNAVAILAB | LE | UNAVAILAB | |
| 79268-YYY | 1.020 | 25.91 | 0.120 | 3.05 | 0.800 | 20.32 | POLY BAGS | - | NO | |
| 79271-YYY | 1.100 | 27.94 | 0.500 | 12.70 | 0.500 | 12.70 | POLY BAGS | - | NO | |
| 79425-YYY | 0.410 | 10.41 | 0.120 | 3.05 | 0.190 | 4.83 | POLY BAGS | - | NO | |
| 79821-YYY | 0.730 | 18.54 | 0.200 | 5.08 | 0.430 | 10.92 | POLY BAGS | - | NO | |
| 84610-XXYH | 0.380 | 9.65 | 0.120 | 3.05 | 0.160 | 4.06 | POLY BAGS | - | NO | |
| 84760-XXYH | 0.870 | 22.09 | 0.150 | 3.81 | 0.620 | 15.74 | POLY BAGS | - | NO | |
| 84784-XXYH | 1.130 | 28.70 | 0.122 | 3.09 | 0.908 | 23.06 | POLY BAGS | - | NO | |
| 84934-XXYH | 1.375 | 34.93 | 0.625 | 15.88 | 0.650 | 16.51 | POLY BAGS | - | NO | |
| 84976-XXYH | 0.730 | 18.54 | 0.400 | 10.16 | 0.230 | 5.84 | POLY BAGS | - | NO | |
| 86503-YYY | 0.470 | 11.94 | 0.120 | 3.05 | 0.250 | 6.35 | POLY BAGS | - | NO | |
| 86581-YYY | 0.450 | 11.43 | 0.120 | 3.05 | 0.230 | 5.84 | POLY BAGS | NOTE 8 | NO | |
| 86817-YYY | 0.925 | 23.50 | 0.120 | 3.05 | 0.705 | 17.91 | POLY BAGS | - | NO | |
| 86827-YYY | 0.700 | 17.78 | 0.120 | 3.05 | 0.480 | 12.19 | POLY BAGS | - | NO | |
| 86832-YYY | 0.525 | 13.34 | 0.100 | 2.54 | 0.325 | 8.26 | POLY BAGS | - | NO | |
| 86834-YYY | 1.335 | 33.91 | 0.585 | 14.86 | 0.650 | 16.51 | POLY BAGS | - | NO | |
| 86836-YYY | 0.870 | 22.10 | 0.120 | 3.05 | 0.650 | 16.51 | POLY BAGS | - | NO | |
| 86837-YYY | 0.600 | 15.24 | 0.120 | 3.05 | 0.380 | 9.65 | POLY BAGS | - | NO | |
| 87037-YYY | 1.240 | 31.50 | 0.120 | 3.05 | 1.020 | 25.91 | POLY BAGS | - | NO | |
| 87052-YYY | 0.990 | 25.15 | 0.120 | 3.05 | 0.770 | 19.56 | POLY BAGS | - | NO | |
| 87203-YYY | 0.545 | 13.84 | 0.150 | 3.81 | 0.295 | 7.49 | POLY BAGS | - | NO | |
| 87344-YYY | 1.375 | 34.93 | 0.219 | 5.56 | 1.056 | 26.82 | POLY BAGS | - | NO | NOTE 1,13 |



Copyright FCJ

| | | | | | |
|--------------------------------|----------------|---------------------|----------------------------------|--|--|
| mat'l. code SEE NOTES 2 & 3 | | surface ISO 1302 | tolerance ISO 406 ISO 1101 | projection | product family BERGSTIK |
| ltr | ecn no | dr | date | tolerances unless otherwise specified | title BERGSTIK® II HDR. D/R .100/2.54cc STRAIGHT |
| DC | | | | angles linear XX±.01/XX±0.3 XXX±.006/XXX±0.13 O'±.2' XXXX±.0020/XXX±0.051 | INCH/MM scale 1:1 |
| | | | | dr T.BREWBAKER 12/21/94 | dwg no 67996 sheet 6 of 8 size A3 |
| | | | | engr T.HANNA 12/21/94 | |
| | | | | chr J.MURPHY 12/21/94 | |
| | | | | appd T.HANNA 12/21/94 | type Product Customer Drawing |
| sheet index | revision sheet | | | | |

| PRODUCT NUMBER | TOT. PIN LGTH. | | TAIL LENGTH | | MATING LENGTH | | PACKAGING | NOTES | BERGSTRIPTM | LF OPTION |
|----------------|----------------|--------|-------------|--------|---------------|--------|-----------------|--------|-------------|-----------|
| | DIM F | DIM F | DIM G | DIM G | DIM H | DIM H | | | AVAILABLE | |
| | ENGLISH | METRIC | ENGLISH | METRIC | ENGLISH | METRIC | | | | |
| 87345-YYY | 1.218 | 30.94 | 0.406 | 10.31 | 0.712 | 18.08 | POLY BAGS | - | NO | NOTE 1,13 |
| 87348-YYY | 0.930 | 23.62 | 0.100 | 2.54 | 0.730 | 18.54 | POLY BAGS | - | NO | |
| 87349-YYY | 0.890 | 22.61 | 0.110 | 2.79 | 0.680 | 17.27 | POLY BAGS | - | NO | |
| 87381-YYY | 0.645 | 16.38 | 0.100 | 2.54 | 0.445 | 11.30 | POLY BAGS | - | NO | |
| 87382-YYY | 0.675 | 17.15 | 0.100 | 2.54 | 0.475 | 12.07 | POLY BAGS | - | NO | |
| 87503-YYYH | 0.630 | 16.00 | 0.110 | 2.79 | 0.420 | 10.67 | POLY BAGS | - | NO | |
| 87869-YYY | 0.690 | 17.53 | 0.230 | 5.84 | 0.360 | 9.14 | POLY BAGS | - | NO | |
| 87894-YYY | 0.588 | 14.94 | 0.170 | 4.32 | 0.318 | 8.08 | POLY BAGS | - | NO | |
| 87900-YYY | 0.940 | 23.88 | 0.120 | 3.05 | 0.720 | 18.29 | POLY BAGS | - | NO | |
| 87901-YYY | 1.040 | 26.42 | 0.120 | 3.05 | 0.820 | 20.83 | POLY BAGS | - | NO | |
| 87903-YYY | 0.963 | 24.46 | 0.337 | 8.56 | 0.526 | 13.36 | POLY BAGS | - | NO | |
| 88797-YYY | 0.950 | 24.13 | 0.320 | 8.13 | 0.530 | 13.46 | POLY BAGS | - | NO | |
| 88812-YYY | 0.415 | 10.54 | 0.085 | 2.16 | 0.230 | 5.84 | POLY BAGS/TUBES | NOTE 8 | NO | |
| 88886-YYY | 1.306 | 33.17 | 0.276 | 7.01 | 0.930 | 23.62 | POLY BAGS | - | NO | |
| 89446-YYY | 0.930 | 23.62 | 0.120 | 3.05 | 0.710 | 18.03 | POLY BAGS | - | NO | |
| 89540-YYY | 0.760 | 19.30 | 0.280 | 7.11 | 0.380 | 9.65 | POLY BAGS | - | NO | |
| 89542-YYY | 1.065 | 27.05 | 0.125 | 3.18 | 0.840 | 21.34 | POLY BAGS | - | NO | |
| 89639-YYY | 1.260 | 32.00 | 0.118 | 3.00 | 1.042 | 26.47 | POLY BAGS | - | NO | |
| 91828-YYY | 0.450 | 11.43 | 0.120 | 3.05 | 0.230 | 5.84 | TUBES | - | NO | |
| 92417-YYY | 0.530 | 13.46 | 0.110 | 2.79 | 0.320 | 8.13 | POLY BAGS | - | NO | |
| 93216-YYYH | 0.573 | 14.55 | 0.155 | 3.94 | 0.318 | 8.08 | POLY BAGS/TUBES | - | NO | |
| 93216-632HG | 0.573 | 14.55 | 0.155 | 3.94 | 0.318 | 8.08 | GPAX | NOTE 1 | NO | |
| 93217-YYYH | 0.395 | 10.03 | 0.095 | 2.41 | 0.200 | 5.08 | POLY BAGS | - | NO | |
| 93254-YYY | 0.563 | 14.30 | 0.110 | 2.79 | 0.353 | 8.97 | POLY BAGS | - | NO | NOTE 1,13 |



Copyright FCJ

| | | | | | | | |
|--------------------------------|----------|----|------|---------------------------------------|----------------------------------|----------------|--|
| mat'l. code SEE NOTES 2 & 3 | | | | surface ISO 1302 | tolerance ISO 406 ISO 1101 | projection | product family BERGSTIK |
| ltr | ecp no | dr | date | tolerances unless otherwise specified | | | title BERGSTIK® II HDR. D/R .100/2.54cc STRAIGHT |
| DC | | | | angles | linear | | |
| | | | | 0'±2' | linear | INCH/MM | scale 1:1 |
| | | | | dr | T.BREWBAKER | 12/21/94 | dwg no |
| | | | | engr | T.HANNA | 12/21/94 | sheet 7 of 8 |
| | | | | chr | J.MURPHY | 12/21/94 | size |
| | | | | appd | T.HANNA | 12/21/94 | A3 |
| sheet | revision | | | | | | type |
| index | sheet | | | | | | Product Customer Drawing |

| PRODUCT NUMBER | TOT. PIN LGTH. | | TAIL LENGTH | | MATING LENGTH | | PACKAGING | NOTES | BERGSTRIPTM | LF OPTION |
|----------------|----------------|--------|-------------|--------|---------------|--------|-----------|-------|-------------|----------------|
| | DIM F | DIM F | DIM G | DIM G | DIM H | DIM H | | | AVAILABLE | |
| | ENGLISH | METRIC | ENGLISH | METRIC | ENGLISH | METRIC | | | | |
| 94010-XYH | 0.756 | 19.20 | 0.350 | 8.89 | 0.306 | 7.77 | POLY BAGS | - | NO | NOTE 1,13 ↓ |
| 94532-XYH | 1.250 | 31.75 | 0.450 | 11.43 | 0.700 | 17.78 | POLY BAGS | - | NO | |
| 95105-XYH | 0.370 | 9.40 | 0.126 | 3.20 | 0.144 | 3.66 | POLY BAGS | - | NO | |
| 95645-XYH | 0.350 | 8.89 | 0.100 | 2.54 | 0.150 | 3.81 | POLY BAGS | - | NO | |
| 95652-XYH | 0.500 | 12.70 | 0.070 | 1.78 | 0.330 | 8.38 | POLY BAGS | - | NO | |
| 95665-XYH | 0.835 | 21.21 | 0.335 | 8.51 | 0.400 | 10.16 | POLY BAGS | - | NO | |
| 95687-XYH | 0.820 | 20.83 | 0.360 | 9.14 | 0.360 | 9.14 | POLY BAGS | - | NO | |
| 95712-XYH | 1.090 | 27.69 | 0.110 | 2.79 | 0.880 | 22.35 | POLY BAGS | - | NO | |
| 95727-XYH | 0.825 | 20.96 | 0.110 | 2.79 | 0.615 | 15.62 | POLY BAGS | - | NO | |
| 98181-XYH | 0.760 | 19.30 | 0.218 | 5.54 | 0.442 | 11.23 | POLY BAGS | - | NO | |
| 98217-XYH | 0.756 | 19.20 | 0.328 | 8.33 | 0.328 | 8.33 | POLY BAGS | - | NO | |
| 98329-XYH | 0.930 | 23.62 | 0.415 | 10.54 | 0.415 | 10.54 | POLY BAGS | - | NO | |
| 98854-XYH | 0.450 | 11.43 | 0.120 | 3.05 | 0.230 | 5.84 | TUBES | - | NO | |
| 10017852-XYH | 0.450 | 11.43 | 0.125 | 3.18 | 0.225 | 5.72 | POLYBAGS | - | NO | |
| 10074747-XYH | 0.850 | 21.59 | 0.520 | 13.21 | 0.230 | 5.84 | POLYBAGS | - | NO | |



FCconnect.com

Copyright FCJ

| | | | | | |
|--------------------------------|----------------|---------------------|----------------------------------|--|---|
| mat'l. code SEE NOTES 2 & 3 | | surface ISO 1302 | tolerance ISO 406 ISO 1101 | projection | product family BERGSTIK |
| ltr | ec'n no | dr | date | tolerances unless otherwise specified | title |
| DC | | | | linear XX±.01/XX±0.3 XXX±.006/XXX±0.13 O'±.2' XXXX±.0020/XXX±0.051 | BERGSTIK II HDR. D/R .100/2.54cc® STRAIGHT |
| | | | | scale 1:1 | dwg no 67996 |
| | | | | | sheet 8 of 8 size A3 |
| | | | | | type Product Customer Drawing |
| sheet index | revision sheet | | | | |

form A3