

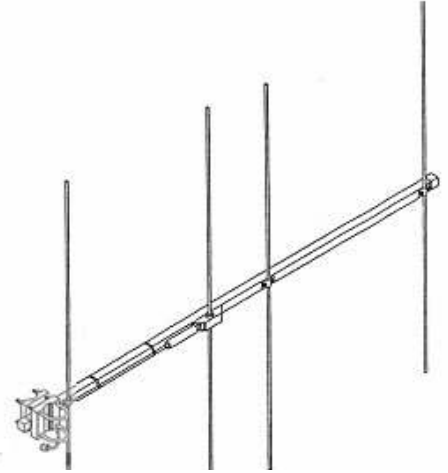


ANTENNA TECHNOLOGIES LIMITED COMPANY

# Model 141-4H VHF Yagi Antenna

## Key Features

- Balanced “AntennaFeed” system with built-in ferrite beads current balun is impervious to moisture, ice and harsh environments. It has a clean radiation pattern and no tuning is required.
- Flexible feedline interface simplifies installation and connector waterproofing problems
- Stainless steel hardware and strong square aluminum support boom for trouble-free service life



Electrical Specifications	141-4H
Frequency Range, MHz	138-144
Gain, dBd	7 nominal
Front to Back Ratio, dB	15 minimum
VSWR (75 Ohms)	1.2:1 typical
1.5:1 Bandwidth MHz	6 nominal
3 dB Beamwidth E/H Planes, degrees	60/89
Maximum Power, watts	150*
Cable type/length	RG58, 2 (.61)
Connector	N Female
Polarization	Vertical

\*Limited by feedline. Higher power ratings are available as an option.



Mechanical Specifications	141-4H
Number of Elements	4
Boom Length, feet (m)	44 (1.73)
Boom Material	1" by 1" square tube 6061-T6 aluminum
Element Material	.25" diameter 6061-T6 aluminum rod
Mast Diameter, inches, (cm)	1.25-2.00 (3.2-5.1)
Mounting	Rear
Wind Surface Areas, feet <sup>2</sup>	.4 (.037)
Wind Survival, mph (kph)	125 (200)
Weight, pounds (kg)	2.0 (.9)

22560 Glenn Drive #114 | Sterling, Virginia 20164  
[www.atcllc.com](http://www.atcllc.com) [sales@atcllc.com](mailto:sales@atcllc.com)  
Office: 703-450-5517

ATLC products for military use may be subject to U.S. ITAR EXPORT CONTROLS, an export license may be required.