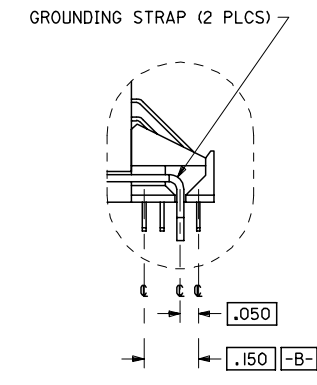
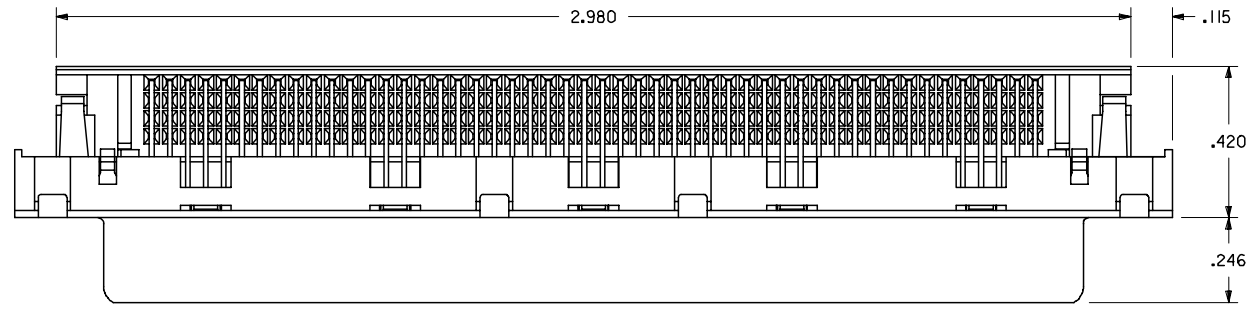
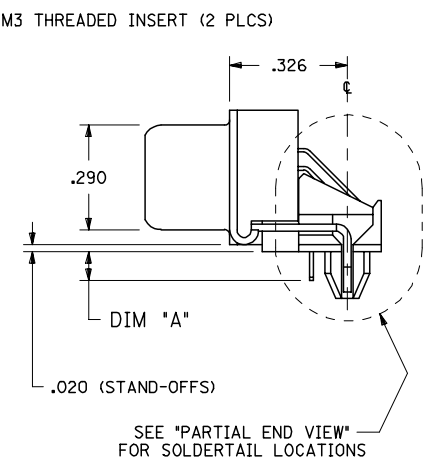
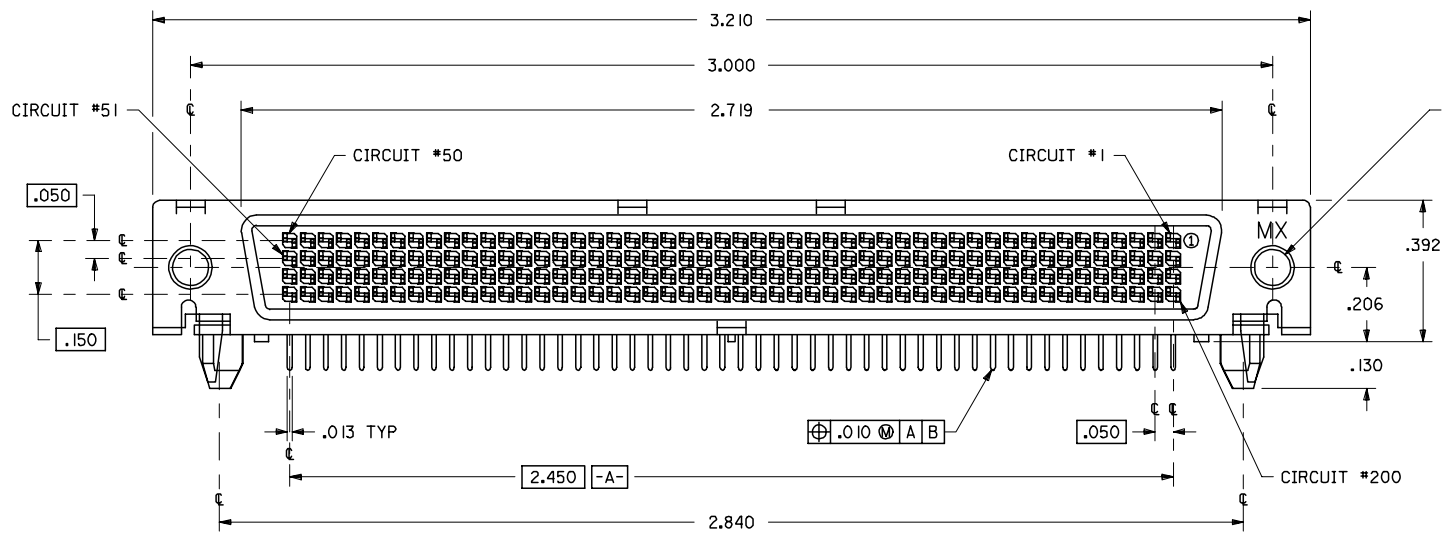


13 12 11 10 9 8 7 6 5 4 3 2 1



PARTIAL END VIEW
(MOUNTING PEG OMITTED FOR CLARITY)



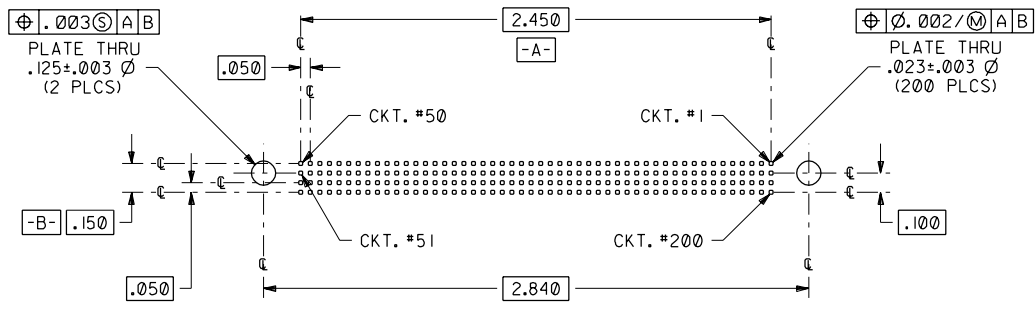
- NOTES:**
- MATERIALS:**
HOUSING, TAIL ALIGNER, AND INSERT-MOLDED STICKS ARE GLASS FILLED LCP (LIQUID CRYSTAL POLYMER), U.L. 94 V-0, COLOR IS BLACK; THE FEMALE TERMINALS ARE BERYLLIUM COPPER, 0.010" THICK; AND THE OUTER SHELL IS LOW-CARBON STEEL, .020" THICK.
 - TERMINAL PLATING:**
30 MICROINCHES/(0.76 MICROMETER) MINIMUM OF GOLD IN SELECTIVE AREA; 100 MICRO-INCHES MINIMUM OF TIN IN SELECTIVE AREA; ALL OVER NICKEL UNDERPLATE OVERALL.
 - OUTER SHELL FINISH:**
150 MICROINCHES/(3.81 MICROMETER) MINIMUM OF BRIGHT TIN; OVER 50 MICROINCHES/(3.81 MICROMETER) OF NICKEL; OVER COPPER FLASH (OPTIONAL).
 - PARTS CONFORM TO MOLEX PRODUCT SPECIFICATION *PS-71718-9999.
 - PACKAGING PER MOLEX SPECIFICATION *PK-70873-0299.
 - SEE SHEET #2 FOR PART NUMBERS, RECOMMENDED BOARD LAYOUT AND PANEL CUT-OUT.
 - PART COMPLIES WITH CLASS B OF COSMETIC SPECIFICATION PS-45499-002

NOTE FOR LEAD FREE CONVERSION:
THE PRIMARY SHIPPING CARTON WILL BE LABELED *COMPLIANT TO RoHS DIRECTIVE 2002/95/EC AND ELV ANNEX II OF DIRECTIVE 2000/53/EC*. CARTONS WITHOUT THIS LABEL MAY CONTAIN PRODUCT WITH LEAD.

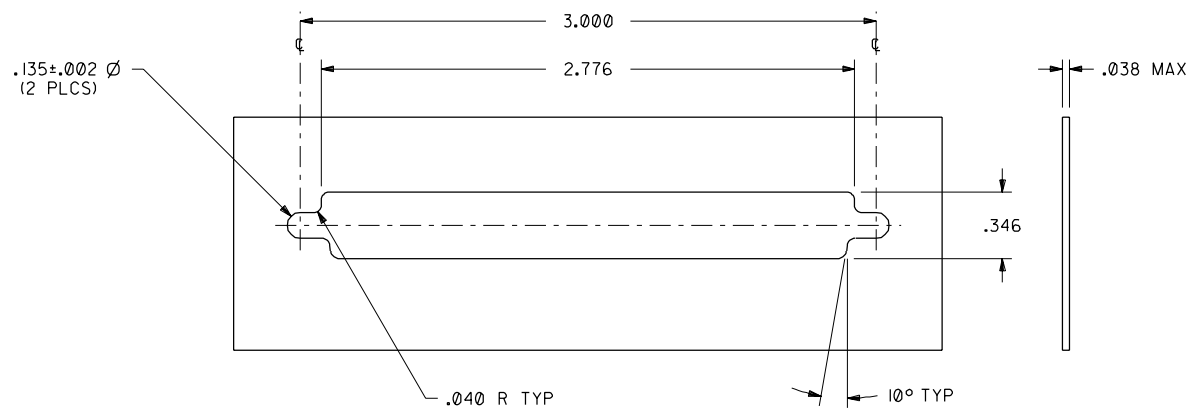
71718-2001	.120±.010	2	F1
71718-2000	.079±.010	1	H
ITEM NUMBER	DIM. A	SHT	REV

ADD NOTE 7 EC NO: UCP2006-3051 2006/07/10 DRAWN:MS.BARRA 2006/07/10 CHKD:DMORGAN 2006/07/10 APPR:SMILLER 2006/07/11	QUALITY SYMBOLS ▽=0 ▽=0	GENERAL TOLERANCES (UNLESS SPECIFIED) mm INCH 4 PLACES ± --- ± --- 3 PLACES ± --- ± .010 2 PLACES ± --- ± --- 1 PLACE ± --- ± --- ANGULAR ±1/2°	DIMENSION STYLE INCH ONLY DRAWN BY DATE GLT 1995/05/15 CHECKED BY DATE GLT 1995/05/15 APPROVED BY DATE JWF 1995/05/15	SCALE 4:1 DESIGN UNITS INCH THIRD ANGLE PROJECTION	TITLE .050 PITCH LFH 200 CKT RIGHT ANGLE I/O RECEPTACLE SALES ASSY	MATERIAL NO. SEE TABLE	DOCUMENT NO. SDA-71718-2***	SHEET NO. 1 OF 2
		DRAFT WHERE APPLICABLE MUST REMAIN WITHIN DIMENSIONS	THIS DRAWING CONTAINS INFORMATION THAT IS PROPRIETARY TO MOLEX INCORPORATED AND SHOULD NOT BE USED WITHOUT WRITTEN PERMISSION					

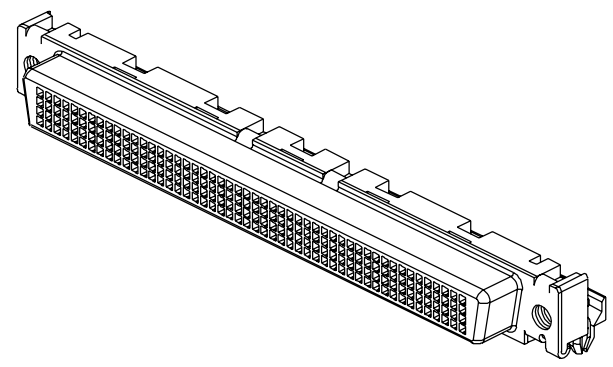
12 11 10 9 8 7 6 5 4 3 2 1



RECOMMENDED P.C. BOARD LAYOUT
(COMPONENT SIDE SHOWN)



RECOMMENDED PANEL CUT-OUT DIMENSIONS
(ALL TOLERANCES $\pm .003$ UNLESS INDICATED OTHERWISE)



DIMENSIONS SHOWN <input type="checkbox"/> INCH <input checked="" type="checkbox"/> METRIC		UNLESS OTHERWISE SPECIFIED TOLERANCES: ANGULAR $\pm 1/2^\circ$		REVISIONS		REVISIONS		MFG. SH. REV.	
5 PLACE	$\pm .010$	---	---	FI		SEE SHEET #1		TITLE	
2 PLACE	\pm	---	---					.050" PITCH LFH, 200 CKT. RIGHT ANGLE I/O RECEPTACLE, SALES ASSEMBLY	
1 PLACE	---	\pm	---					MOLEX INCORPORATED	
DRAFT WHERE APPLICABLE MUST REMAIN WITHIN DIMENSIONS				LTR.		REVISIONS		PART NO.	
DRWG. BY	GLT	CHK'D. BY	GLT	LTR.		REVISIONS		DRWG. NO.	
APP'D. BY	GW	SCALE	2:1	LTR.		REVISIONS		SEE CHART	
				LTR.		REVISIONS		FILE NAME	
				LTR.		REVISIONS		S7171802	
				LTR.		REVISIONS		DCN	
				LTR.		REVISIONS		THIS DRAWING CONTAINS INFORMATION THAT IS PROPRIETARY TO MOLEX INC. AND SHOULD NOT BE USED WITHOUT WRITTEN PERMISSION.	
				LTR.		REVISIONS		CPP	