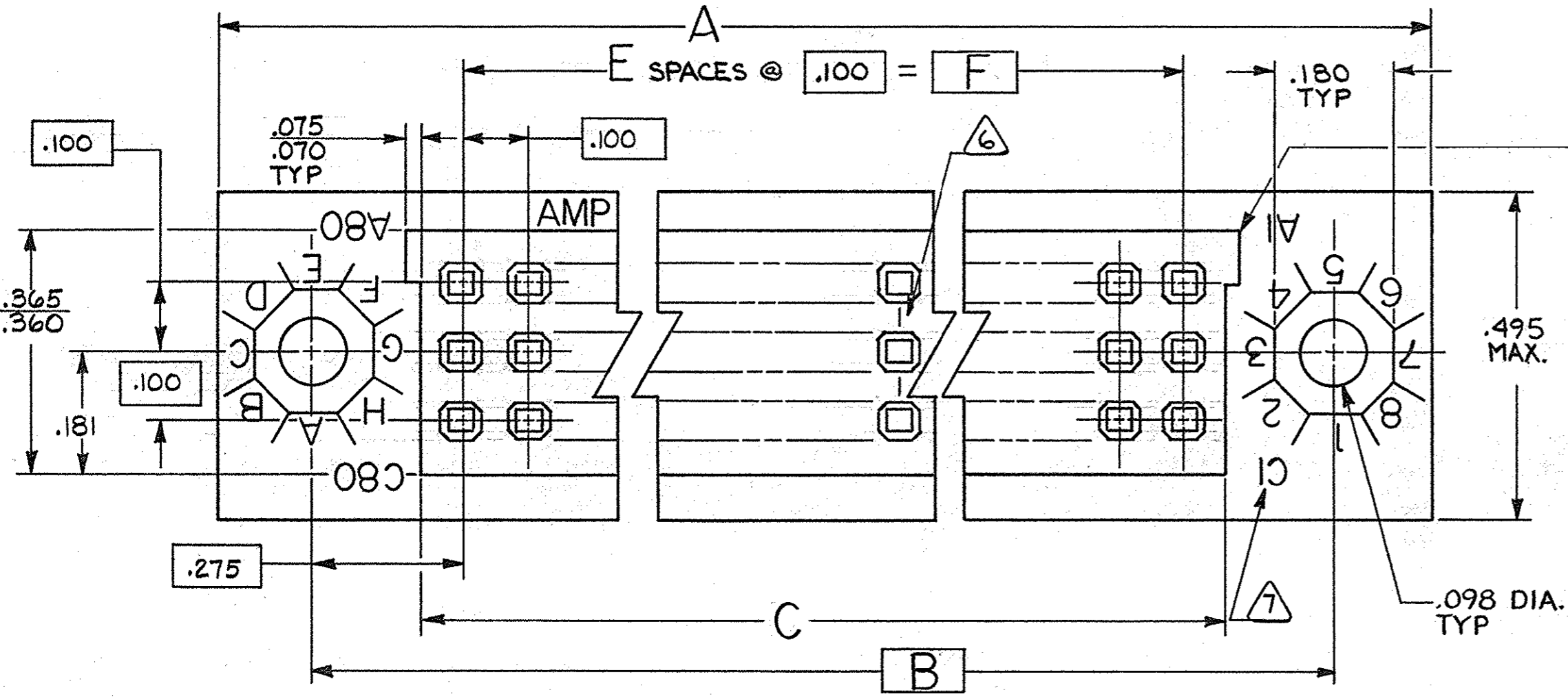
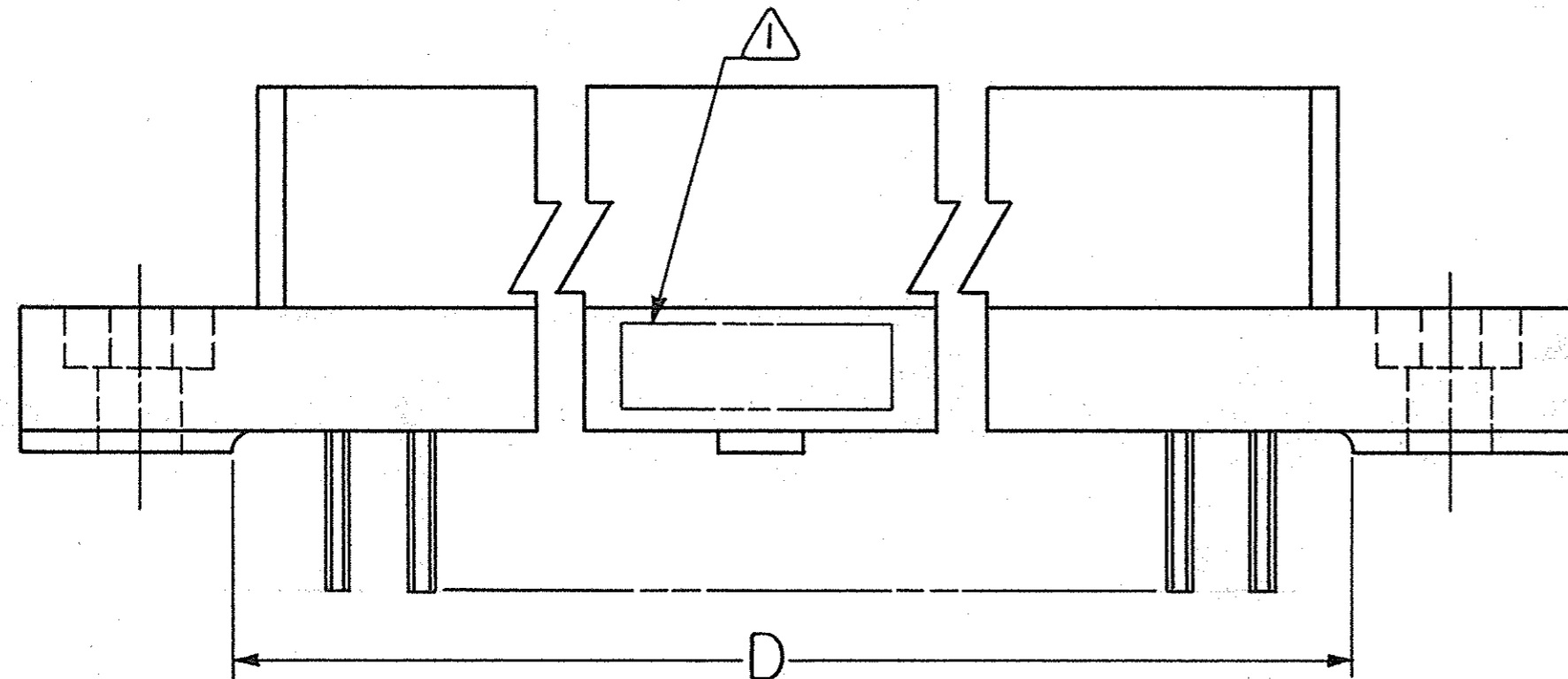


© COPYRIGHT 19 BY AMP INCORPORATED, HARRISBURG, PA.
ALL INTERNATIONAL RIGHTS RESERVED. AMP INCORPORATED PRODUCTS
COVERED BY U. S. AND FOREIGN PATENTS AND/OR PATENTS PENDING.

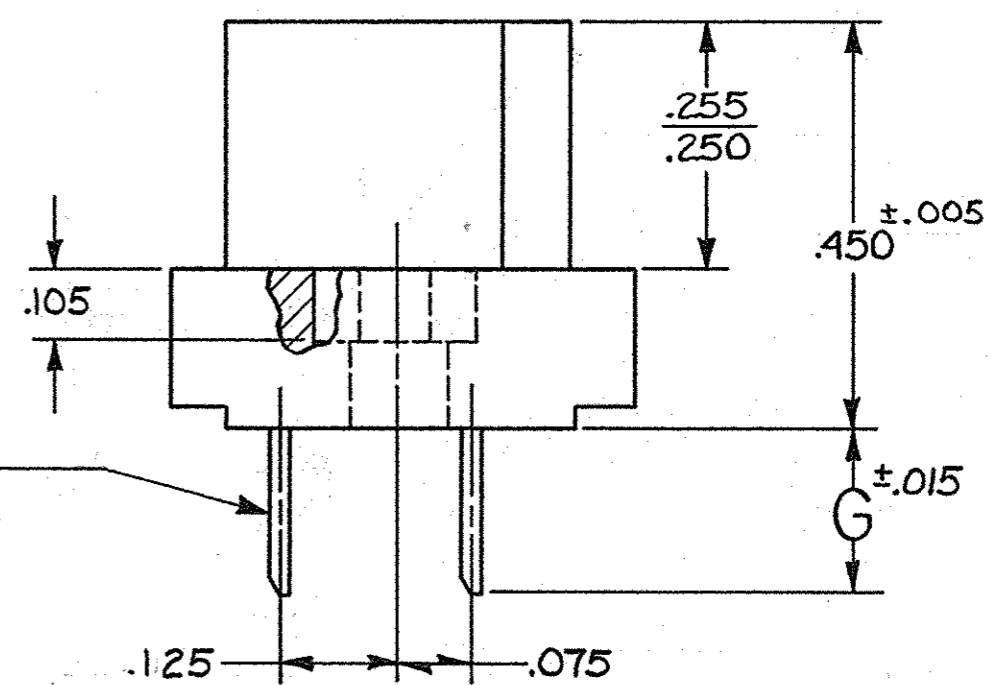
REVISIONS						
P	F	ZONE	LTR	DESCRIPTION	DATE	APPROVED
		01		REVISED 7617 75	10-81	WAP
		02		ADDED NOTE IO 7848 AMS	3-82	EAM
		03		REVISED ECN 7982 LPL	6-82	EAM
A		A		REVISED 8171 M.S.	10-82	EAM
		B		REV. PER ECN AB-0535	db 11-85	EAM
		B1		ADDED NOTE PER ECN AB-1241	db 11-85	EAM
		B2		REV DIM: AB-1594	db 5-86	EAM
		B3		ECN AB-2066 WJ	12-86	EAM
		C		REV PER DF-017	TS 11/88	DM
		D		REV PER ECN DF-6823	WDK 7/29/93	DM
		E		REV 0600-5641-96	TI 9-97	DM
		F		REV 0600-6467-97	TI 10-98	DM
		G		REV PER 0630-0238-00	CT 12-00	DM
		H		REV PER ECO-05-013283	11-05	PY



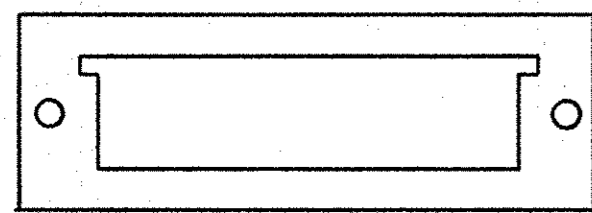
TYPE I AS SHOWN
SEE DETAIL BELOW
FOR OTHER TYPES



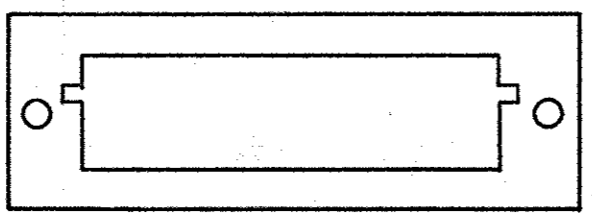
.019 MAX x .014 MAX
CHANNEL FIT FOR
.022 MIN DIA. HOLE



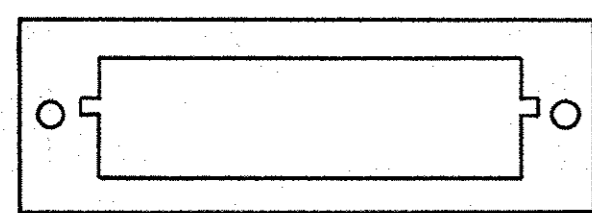
FLOW SOLDER POST
CONTACT
(-1, -3, -5, -7)
2 ROW



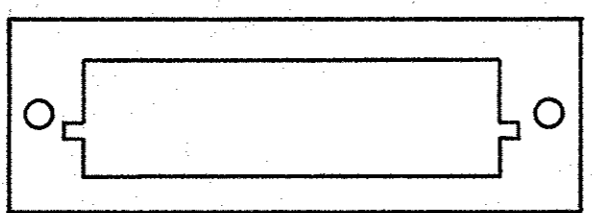
TYPE I



TYPE II



TYPE III



TYPE IV

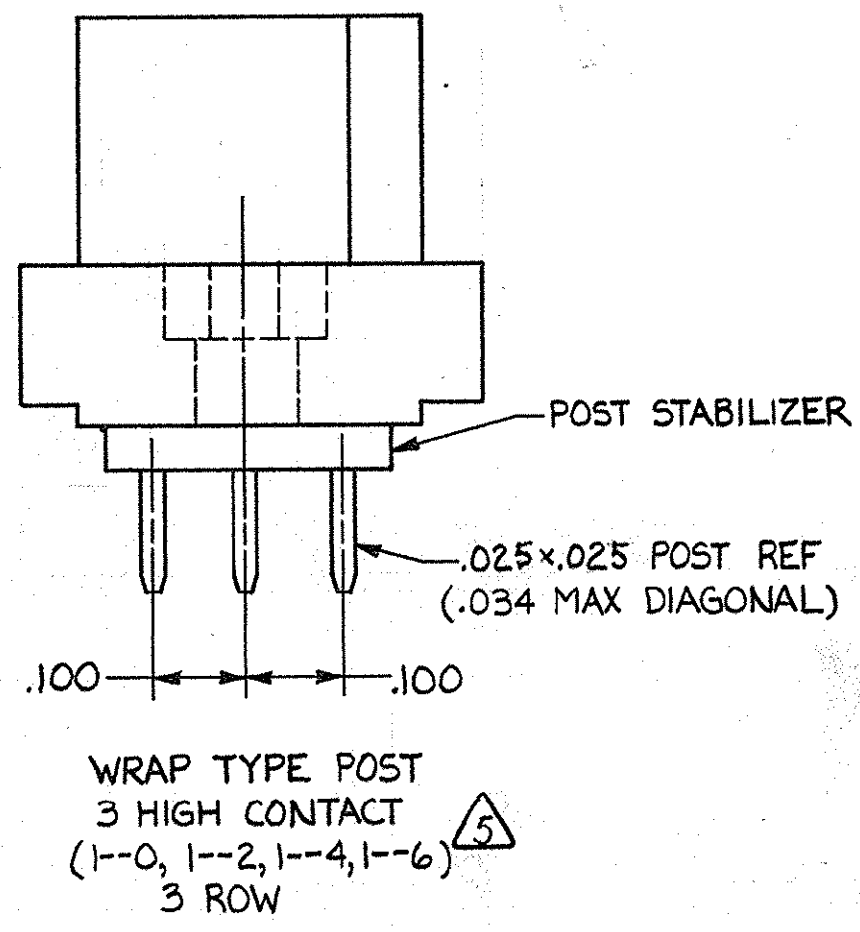
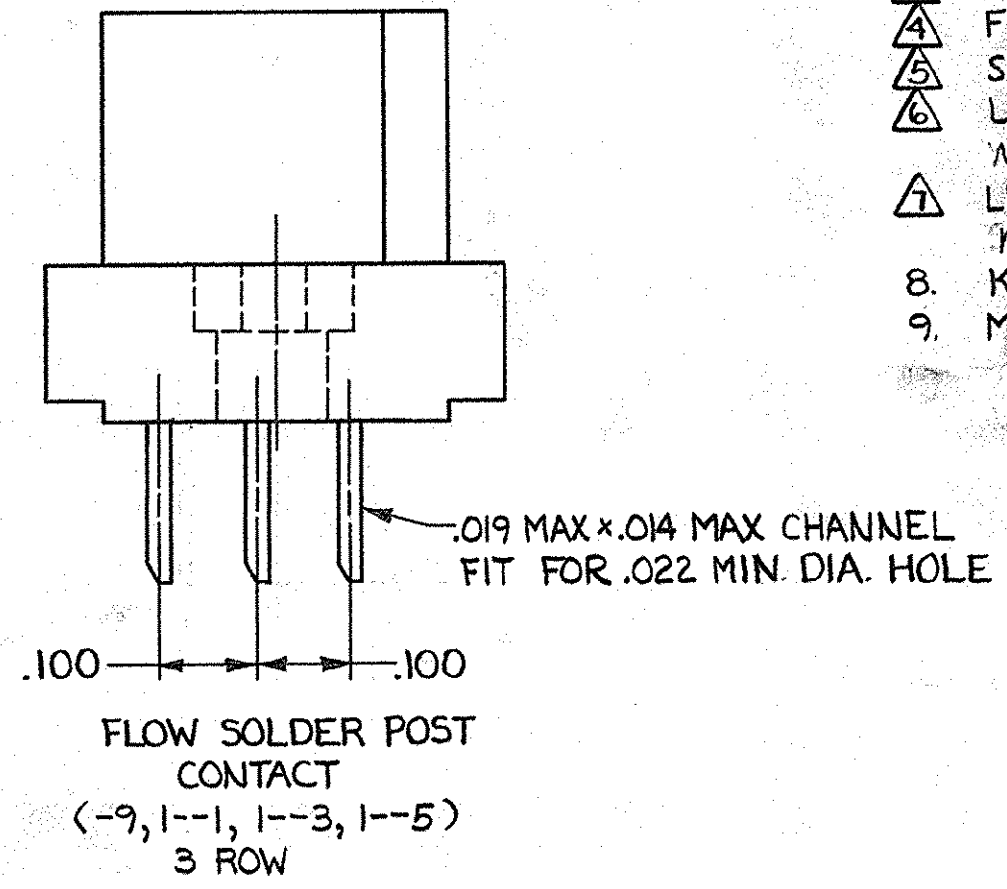
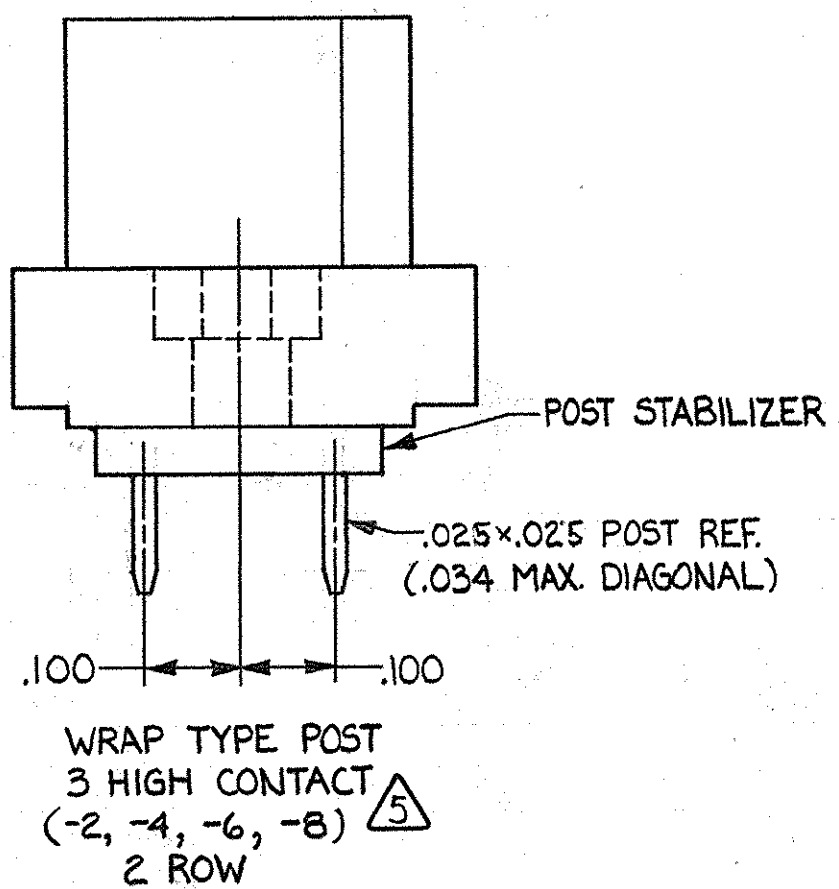
UNLESS OTHERWISE SPECIFIED DIMENSIONS ARE IN INCHES. TOLERANCES ON: DECIMALS ±.010 ANGLES ±		CONTRACT NO 7-2-80		PART NO	
MATERIAL 2 3		DR Debra Kelly		AMP INCORPORATED Harrisburg, Pa.	
FINISH 4		CHK W. Pritchard Jr 8/15/80		NAME RECEPTACLE ASSEMBLY .100 WITH MOUNTING EARS BOX CONTACT	
		APPD W. Pritchard Jr 8/15/80		SIZE CODE IDENT NO DRAWING NO C 00779 531716	
		APPD E. Parsons 8.15.80		SCALE 5:1 SHEET 1 of 3	
		DSGN APPD			
		OTHER APPD			

531716

© COPYRIGHT 19 BY AMP INCORPORATED, HARRISBURG, PA. ALL INTERNATIONAL RIGHTS RESERVED. AMP INCORPORATED PRODUCTS COVERED BY U. S. AND FOREIGN PATENTS AND/OR PATENTS PENDING.

REVISIONS			
P	F	ZONE	TR
		H	SEE SHEET 1
DESCRIPTION			DATE
APPROVED			

- ① CUSTOMER PART NO., (94756), AMP, (00779), DATE CODE, PART NO. MARKED THIS AREA.
- ② HOUSING MATERIAL-POLYPHENYLENE SULFIDE, G5T-40F, PER MIL-M-24519.
- ③ CONTACT MATERIAL-BERYLLIUM COPPER OR COPPER-NICKEL-SILICONE
- ④ FINISH-.000050 MIN GOLD OVER .000030 MIN NICKEL
- ⑤ STABILIZERS HAVE NOT BEEN FASTENED TO THE CONNECTOR HOUSING FOR EASY REMOVAL AT LINES INDICATING EVERY FIVE CAVITIES, BEGINNING AT POSITION 1, CUSTOMERS DISCRETION. MARKED THIS SURFACE
- ⑥ LETTERS INDICATING OUTSIDE ROWS AND NUMBERS INDICATING END CAVITIES MARKED THIS SURFACE, .062 HIGH.
- 8. KEYS (2) AND KEY MOUNTING HARDWARE (2) PACKAGED WITH CONNECTOR
- 9. MIL-C-55302 GROUP A & B TESTING REQUIRED

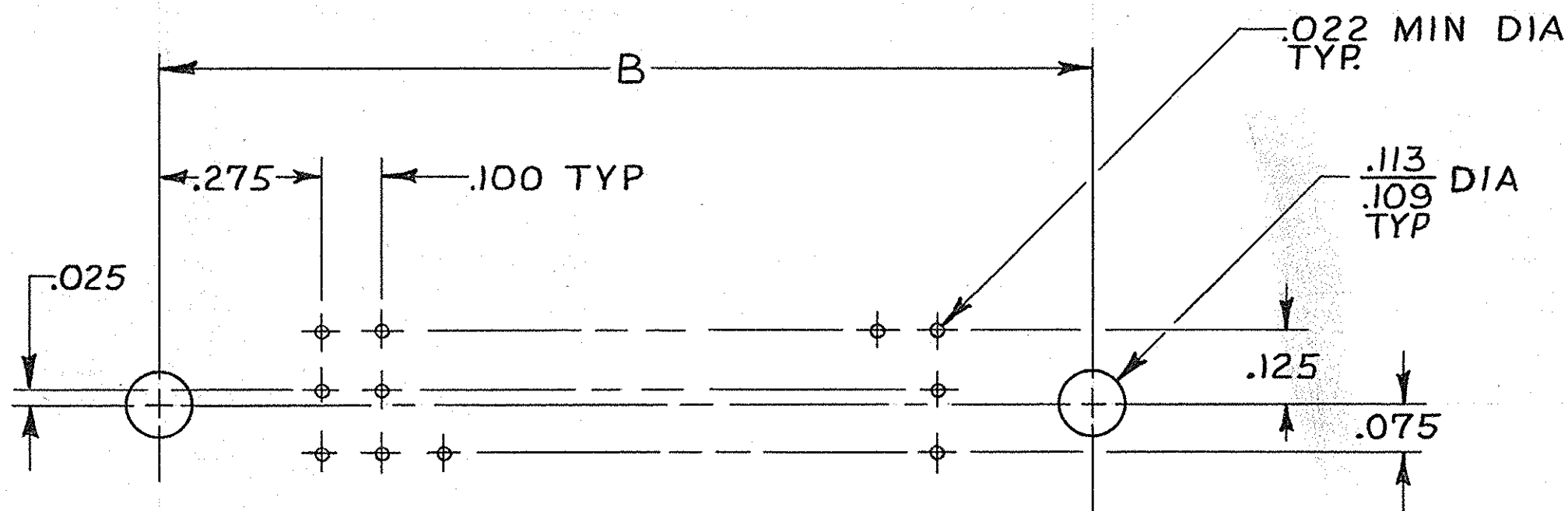


OBS	414-2869-016	240	IV	.675	7.900	79	8.125	8.024	8.450	8.750	240	1-531716-6
OBS	-015		IV	.195								1-5
OBSOLETE	-014		III	.675								1-4
	-013		III	.195								1-3
	-012		II	.675								1-2
	-011		II	.195								1-1
	-010		I	.675								1-0
	-009	240	I	.195								-9
OBSOLETE	-008	160	IV	.675								-8
	-007		IV	.195								-7
	-006		III	.675								-6
	-005		III	.195								-5
	-004		II	.675								-4
	-003		II	.195								-3
OBS	414-2869-001	160	I	.675	7.900	79	8.125	8.024	8.450	8.750	240	531716-1
	CUSTOMER PART NUMBER	NO. OF CONTACTS	TYPE	G	F	E	D	C	B	A	NO. OF POSITIONS	PART NO

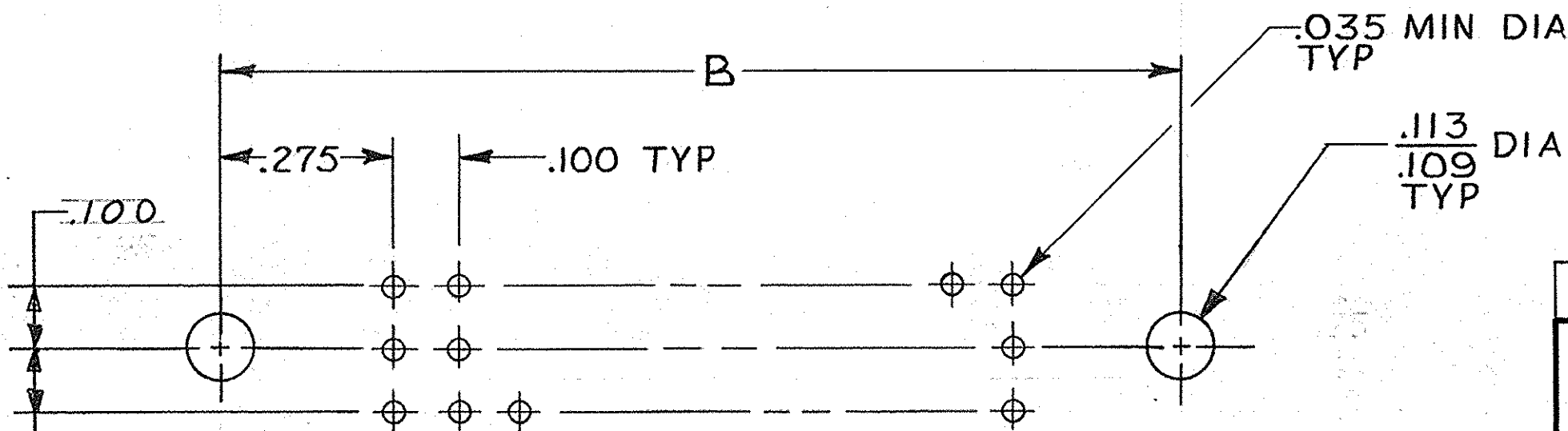
UNLESS OTHERWISE SPECIFIED DIMENSIONS ARE IN INCHES. TOLERANCES ON: DECIMALS ±.010 ANGLES	CONTRACT NO		AMP AMP INCORPORATED Harrisburg, Pa.
	MATERIAL	DR Debra Kelly 7-2-80	
	FINISH	CHK W.B.ritchard Jr 8/15/80	
		APPD W.B.ritchard Jr 8/15/80	
OTHER APPD E. Parsons 8-15-80		NAME RECEPTACLE ASSEMBLY, .100" WITH MOUNTING EARS, BOX CONTACT	
DSGN APPD		SIZE CODE IDENT NO	DRAWING NO
OTHER APPD		C 00779	531716
		SCALE 5:1	SHEET 2 of 3

THIS DRAWING IS UNPUBLISHED. RELEASED FOR PUBLICATION, 19
© COPYRIGHT 19 BY AMP INCORPORATED, HARRISBURG, PA. ALL INTERNATIONAL RIGHTS RESERVED. AMP PRODUCTS MAY BE COVERED BY U.S. AND FOREIGN PATENTS AND/OR PATENTS PENDING.

REVISIONS				DATE	APPROVED
P	F	ZONE	LTR	DESCRIPTION	
✓			H	SEE SHEET 1	



PC BOARD LAYOUT (FLOW SOLDER TYPE)



PC BOARD LAYOUT (WIRE WRAP TYPE)

UNLESS OTHERWISE SPECIFIED DIMENSIONS ARE IN INCHES. TOLERANCES ON: DECIMALS ±.010 ANGLES ±		CONTRACT NO DR <i>W. Steiner</i> 6-22-82	AMP AMP INCORPORATED Harrisburg, Pa. 17105	
MATERIAL	CHK <i>E.A.M.</i>	APPD <i>E.D. McLaughlin</i> 10-7-82	NAME RECEPTACLE ASSEMBLY, .100 ϕ , W/MOUNTING EARS, BOX CONTACT	
FINISH	APPD <i>E.T. Parsons</i> 10-7-82	DSGN APPD	SIZE C	FSCM NO 00779
	OTHER APPD		DRAWING NO 531716	
			SCALE 4:1	SHEET 3 of 3

531716