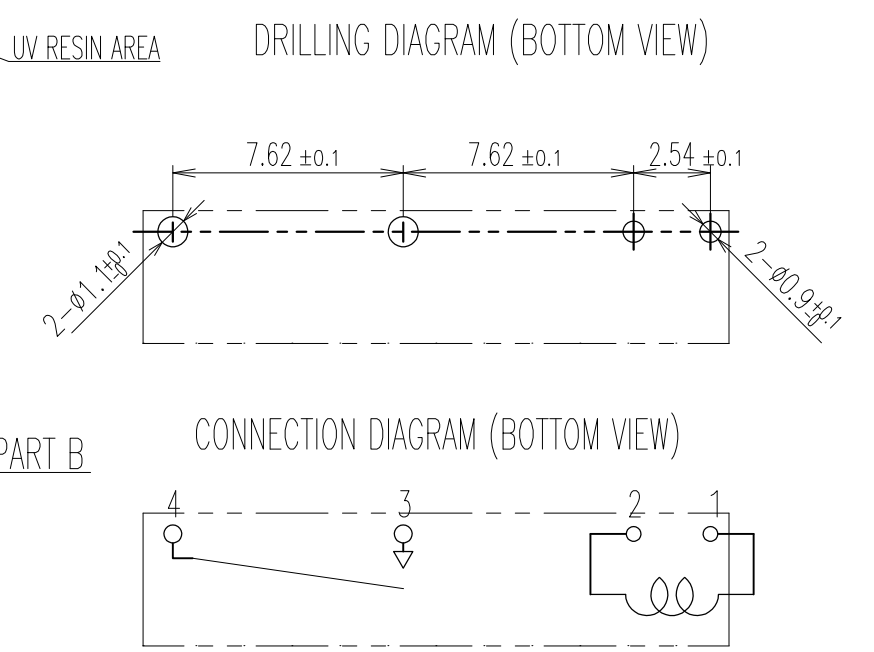
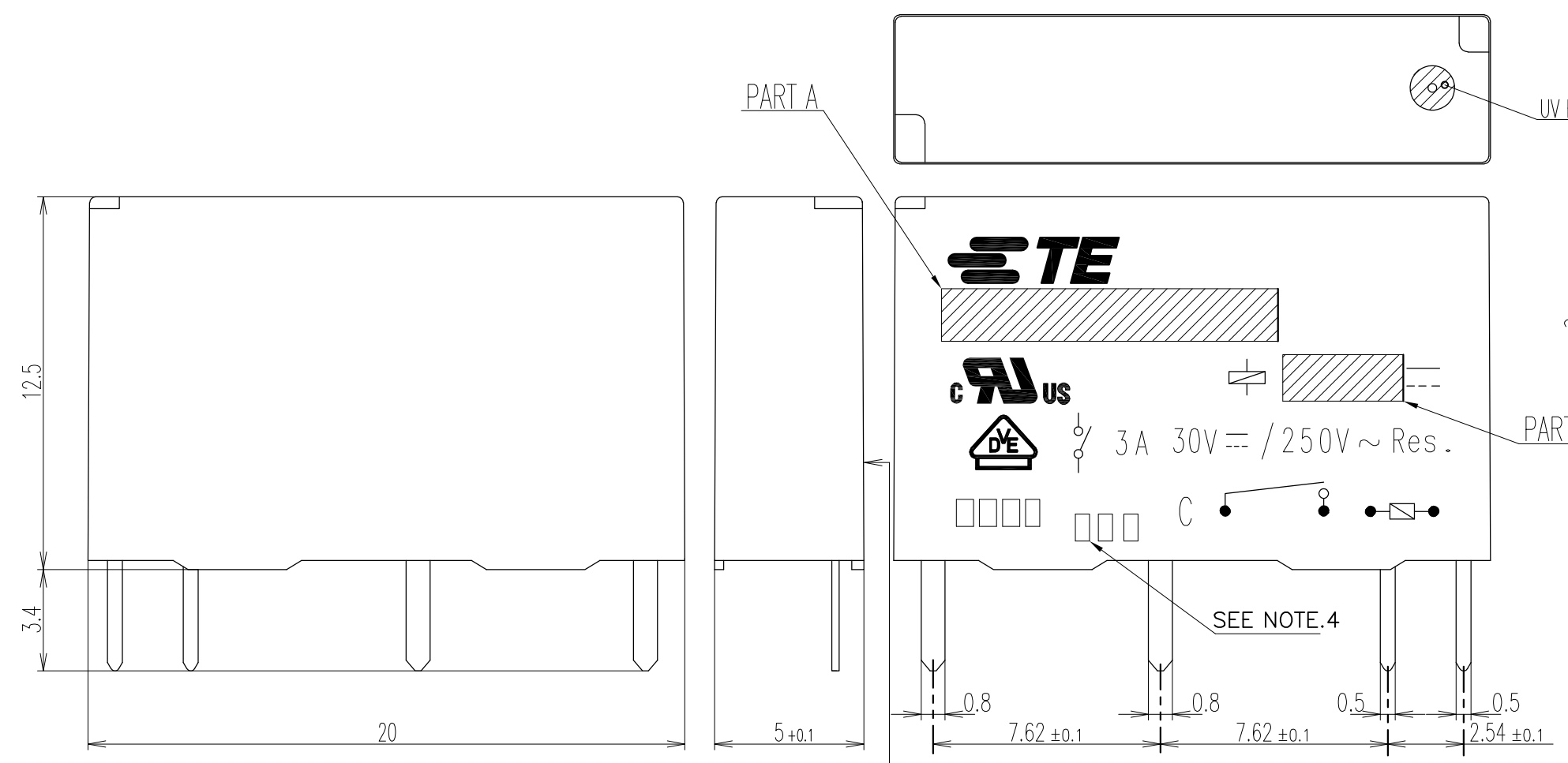
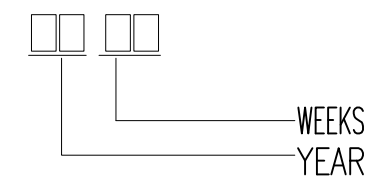


THIS DRAWING IS UNPUBLISHED. RELEASED FOR PUBLICATION
 © COPYRIGHT - By TE CONNECTIVITY ALL RIGHTS RESERVED.

REVISIONS					
P	LTR	DESCRIPTION	DATE	DWN	APVD
E		REVISE ONLY	ECO-16-018552	13-APR-17	HL.C XN.Z



NOTE:
 1. TERMINAL DIMENSION IS AFTER SOLDER DIP
 2. LOT NO. SYSTEM AS FOLLOWING;
 3. MARKING FROM INK CHANGE TO LASER
 4. ADD LOT NO. SYSTEM AS FOLLOWING;



I, DIGITS FOR DAY OF THE WEEK
 1...MONDAY IN THIS WEEK;
 2...TUESDAY IN THIS WEEK;

 7...SUNDAY IN THIS WEEK
 II, DIGITS FOR SHIFT OF THE DAY
 1...DAY SHIFT IN THIS DAY;
 2...NIGHT SHIFT IN THIS DAY;
 III, ONE CHARACTER DISTINGUISH THE LINE
 IDENTITY, SUCH AS: A,B.....Z

(Marking Side)

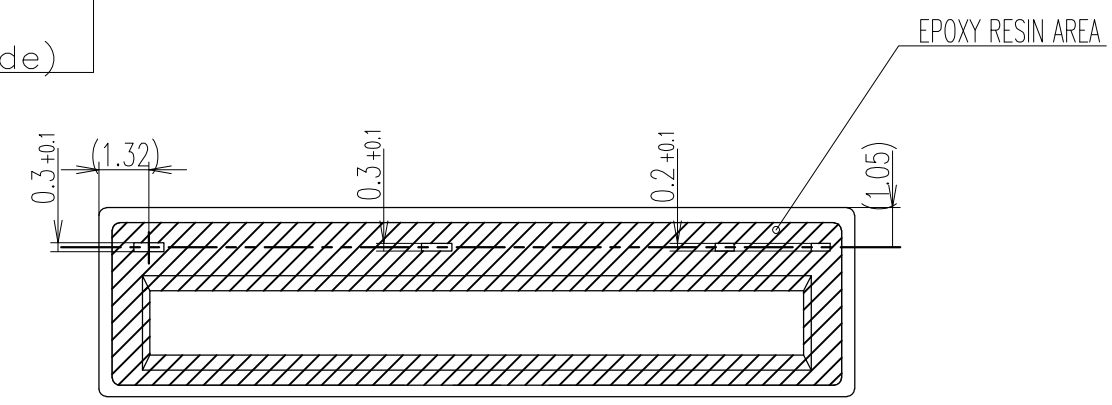


Diagram dimension	Tolerance
0.99mm max	±0.1mm
1 - 2.99mm	±0.2mm
3mm min	±0.3mm

THIS DRAWING IS A CONTROLLED DOCUMENT.		DWN FENGSHENG HU		STE TE Connectivity	
DIMENSIONS: mm		CHK BANGHUA YU			
TOLERANCES UNLESS OTHERWISE SPECIFIED:		APVD SUNNY ZHANG		NAME	
0 PLC ± -		PRODUCT SPEC		PCN-D3MHF CUSTOMER DRAWING	
1 PLC ± -		APPLICATION SPEC		SIZE CAGE CODE DRAWING NO RESTRICTED TO	
2 PLC ± -		WEIGHT 0		A3 00779 C-1649771	
3 PLC ± -		RESTRICTED CUSTOMER		SCALE 5:1 SHEET 1 OF 2 REV E	
4 PLC ± -					
ANGLES ± -					
FINISH					

THIS DRAWING IS UNPUBLISHED. RELEASED FOR PUBLICATION
 © COPYRIGHT - By TE CONNECTIVITY ALL RIGHTS RESERVED.

REVISIONS					
P	LTR	DESCRIPTION	DATE	DWN	APVD
-	-	SEE SHEET 1	-	-	-


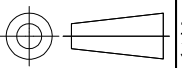
15	UV RESIN	AR
14	CASE (NATURAL)	1
13	EPOXY	AR
12	MAGNETIC WIRE	AR
11	CARD (NATURAL)	1
10	ARMATURE	1
9	STATIONARY CONTACT	1
8	STATIONARY TERMINAL	1
7	MOVABLE CONTACT	2
6	MOVABLE TERMINAL	1
5	BASE (NATURAL)	1
4	CORE	1
3	COIL TERMINAL B	1
2	COIL TERMINAL A	1
1	BOBBIN (BLACK ONLY)	1
ITEM	DESCRIPTION	QTY

PARTS LIST

MOLD COLOR

NATURAL: REINFORCED INSURATION MODEL
 (IEC1131-2 Conformed)
 BLACK: BASIC INSURATION MODEL
 (IEC1131-2 Conformed)

24V	PCN-124D3MHF	PCN-124D3MHF	1649771-9	107-79039 (TUBE)	STANDARD INSURATION WASHABLE TYPE	a
23.5V	PCN-123D3MHF	PCN-123D3MHF	1649771-8	107-79039 (TUBE)		
18V	PCN-118D3MHF	PCN-118D3MHF	1649771-7	107-79039 (TUBE)		
12V	PCN-112D3MHF	PCN-112D3MHF	1649771-6	107-79039 (TUBE)		
9V	PCN-109D3MHF	PCN-109D3MHF	1649771-5	107-79039 (TUBE)		
6V	PCN-106D3MHF	PCN-106D3MHF	1649771-4	107-79039 (TUBE)		
5V	PCN-105D3MHF	PCN-105D3MHF	1649771-3	107-79039 (TUBE)		
4.5V	PCN-104D3MHF	PCN-104D3MHF	1649771-2	107-79039 (TUBE)		
3V	PCN-103D3MHF	PCN-103D3MHF	1649771-1	107-79039 (TUBE)		
PART B	PART A	EC TYPE NO	TE PART NO	PACKING SPECIFICATION		

THIS DRAWING IS A CONTROLLED DOCUMENT.		DWN FENGSHENG HU		 TE Connectivity			
DIMENSIONS: mm		CHK BANGHUA YU					
		TOLERANCES UNLESS OTHERWISE SPECIFIED:		PRODUCT SPEC		PCN-D3MHF CUSTOMER DRAWING	
MATERIAL		FINISH		APPLICATION SPEC		RESTRICTED TO	
-		-		-		-	
RESTRICTED CUSTOMER				WEIGHT -		SIZE A3	
				CAGE CODE 00779		DRAWING NO G-1649771	
				SCALE 5:1		SHEET 2 OF 2	
				REV E			