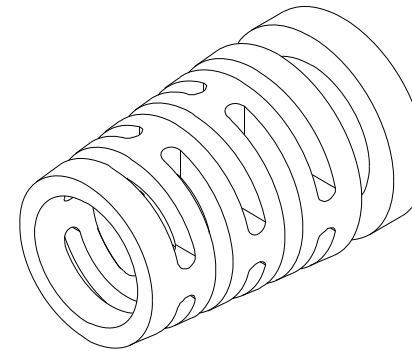
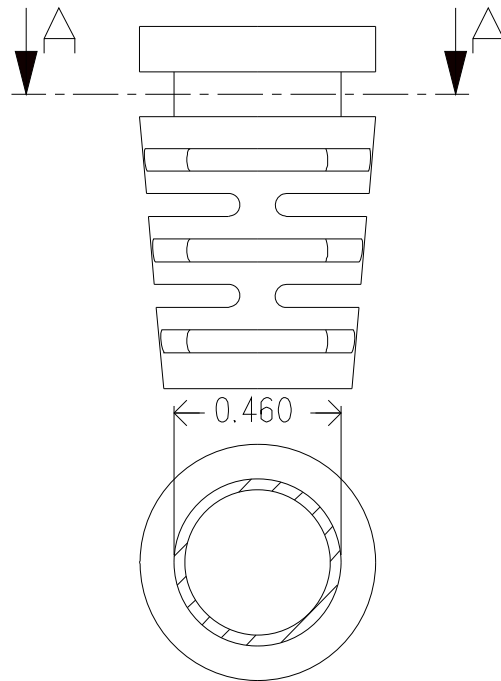
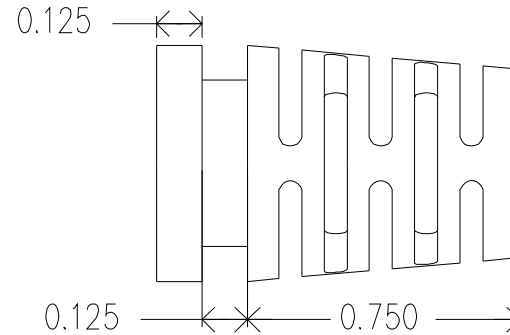
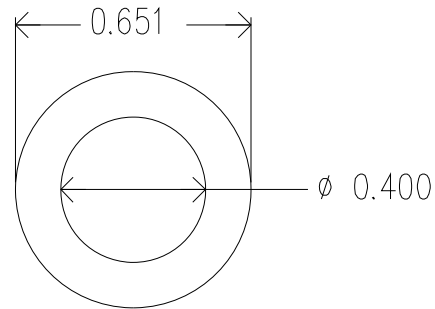


REVISIONS				
ZONE	REV.	DESCRIPTION	DATE	APPROVED



A-A

Dimensions are subject to change.
 PROPRIETARY AND CONFIDENTIAL
 THE INFORMATION CONTAINED IN THIS DRAWING IS THE SOLE PROPERTY OF ISC ENGINEERING. ANY REPRODUCTION IN PART OR AS A WHOLE WITHOUT THE WRITTEN PERMISSION OF ISC ENGINEERING IS PROHIBITED.

Mold Material: ISC P/N: 5000214, PVC, M1472, Black, RoHS

		DIMENSIONS ARE IN INCHES		NAME	DATE	ISC Engineering 4351 Schaefer Ave, Chino, CA 91710 Ph: 909-596-3315 Fax: 909-596-3335 www.iscengineering.com www.overmoldtooling.com	
		TOLERANCES:		DRAWN	R FIERRO		08/08/03
		FRACTIONAL ±		CHECKED			
		ANGULAR: MACH ± BEND ±		ENG APPR.			
		TWO PLACE DECIMAL ±		MFG APPR.			
		THREE PLACE DECIMAL ±		Q.A.		1461080-.400-.125-.460-.651-0	
		MATERIAL --		COMMENTS:			
NEXT ASSY	USED ON	FINISH --					
APPLICATION		DO NOT SCALE DRAWING		SIZE	DWG. NO.	REV.	
				A	1467112		
				SCALE: 2:1	WEIGHT:	SHEET 1 OF 1	

