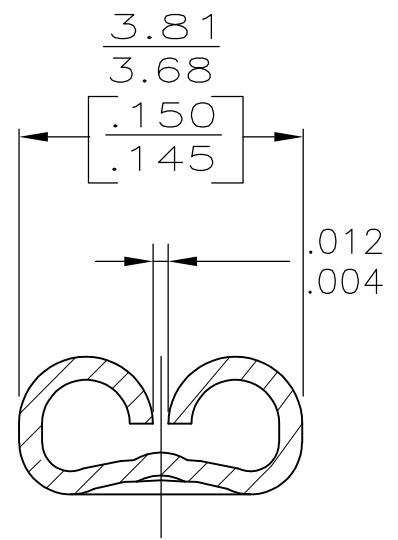
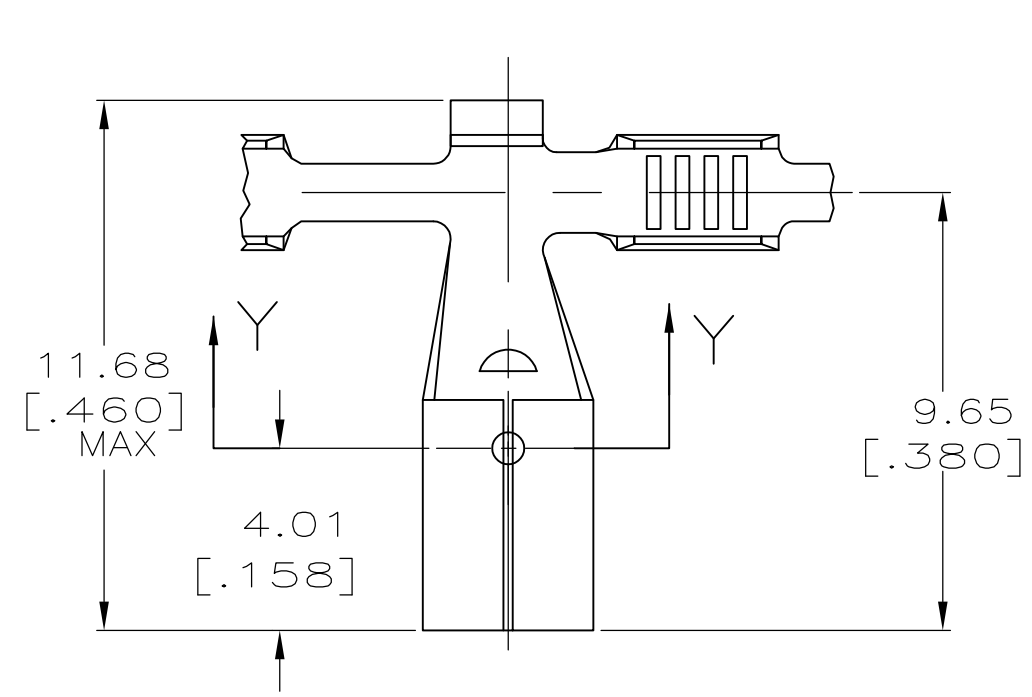
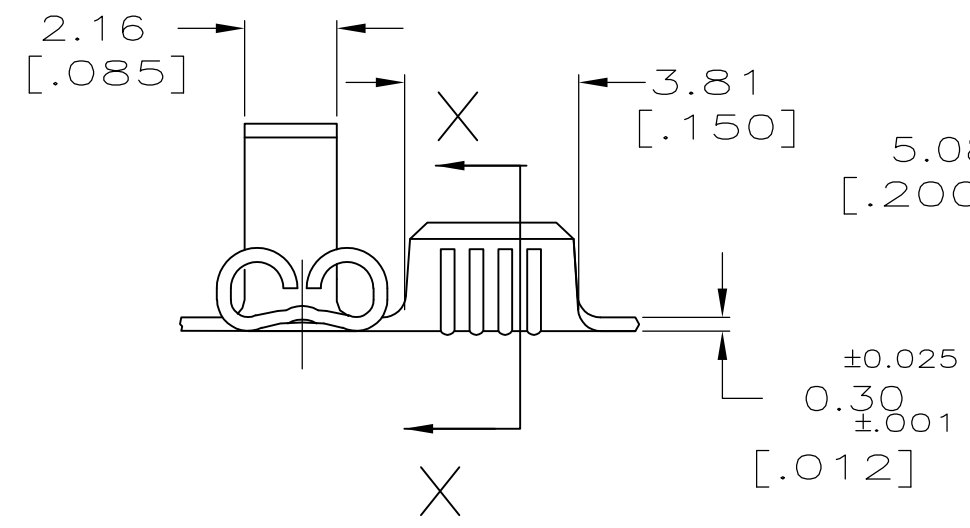


THIS DRAWING IS UNPUBLISHED. RELEASED FOR PUBLICATION
 © COPYRIGHT - By - ALL RIGHTS RESERVED.

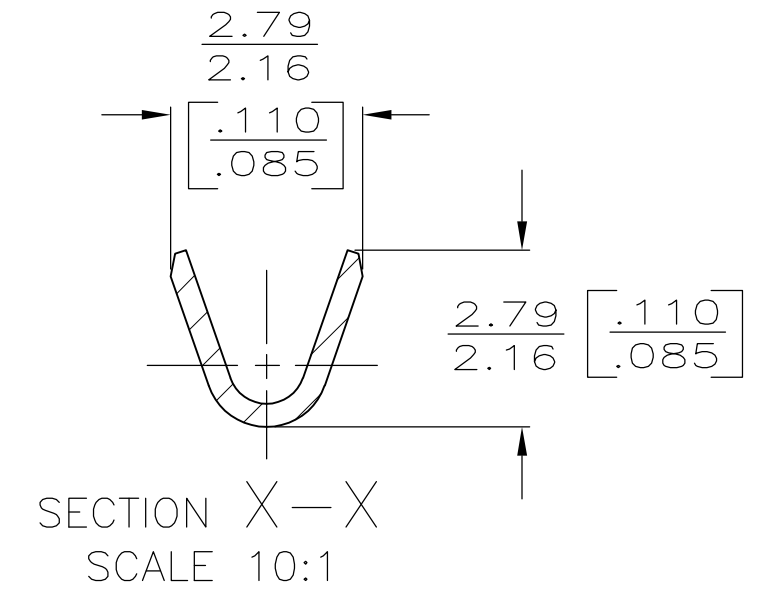
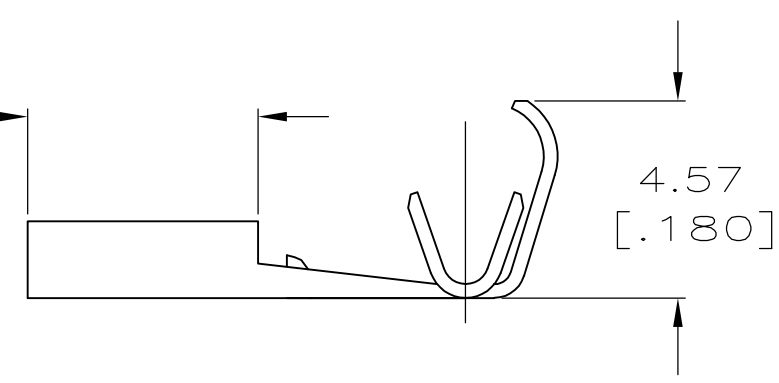
LOC	DIST	REVISIONS			
P	LTR	DESCRIPTION	DATE	DWN	APVD
AF	50				
	D	REVISED PER ECR-12-013518	26NOV2012	KH	PD



- 1 CONTINUOUS STRIP ON REELS
- 2 MATING TAB THK IS 0.813±0.025 [.032±.001].
- 3 WIRE SIZE IS [22-18] AWG.
- 4 INSULATION RANGE IS 1.65-2.54 [.065-.100] DIA


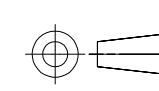


SECTION Y-Y
SCALE 10:1



SECTION X-X
SCALE 10:1

1217878-1
PART NUMBER

THIS DRAWING IS A CONTROLLED DOCUMENT.		DWN MICHAEL S. FEHER 24SEP2002	 TE Connectivity				
DIMENSIONS: mm [INCHES]		CHK PETE DESANTIS 24SEP2002					
		APVD PETE DESANTIS 24SEP2002	NAME RECEPTACLE, FASTON, FLAG, 2.79[.110] SERIES				
TOLERANCES UNLESS OTHERWISE SPECIFIED: 0 PLC ± - 1 PLC ± - 2 PLC ± 0.25[.010] 3 PLC ± - 4 PLC ± - ANGLES ± -		PRODUCT SPEC -	APPLICATION SPEC -				
MATERIAL BRASS		FINISH TIN	WEIGHT -	SIZE A3	CAGE CODE 00779	DRAWING NO C-1217878	RESTRICTED TO -
CUSTOMER DRAWING			SCALE 6:1	SHEET 1 OF 1	REV D		