

THE INFORMATION CONTAINED HEREIN IS CONSIDERED "PROPRIETARY" TO BEL FUSE INC. AND SHALL NOT BE COPIED, REPRODUCED OR DISCLOSED WITHOUT THE WRITTEN APPROVAL OF BEL FUSE INC.

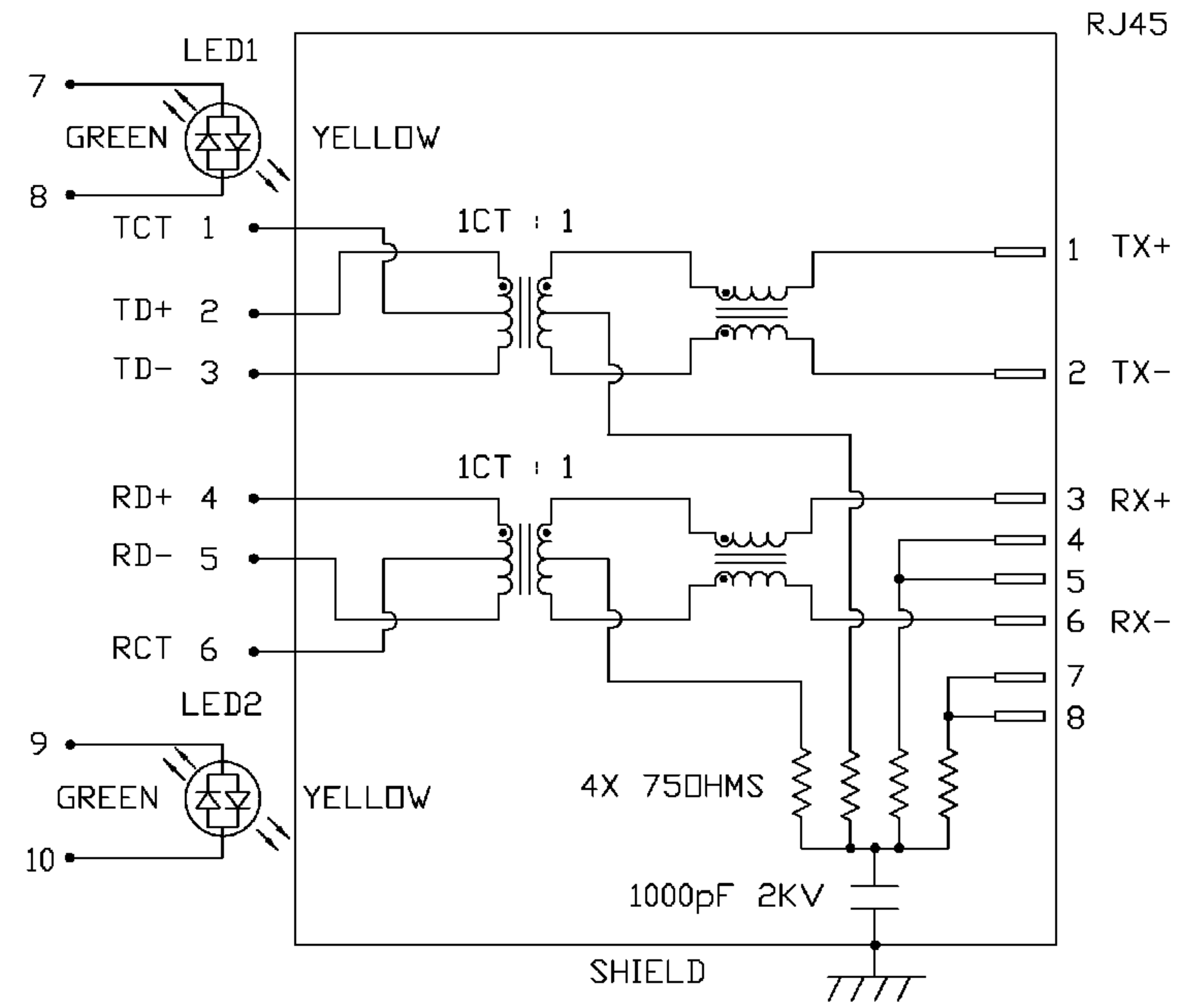


LED1 POLARITY			LED2 POLARITY		
PIN 7	PIN 8	COLOR	PIN 9	PIN 10	COLOR
-	+	GREEN	-	+	GREEN
+	-	YELLOW	+	-	YELLOW

**ELECTRICAL CHARACTERISTICS @ 25°C**

<p> <b>URNS RATIO</b>            TX            RX  <b>CL @ 100kHz/100mVRMS</b>            8mA DC BIAS  <b>INS. LOSS</b>            1MHz TO 100MHz  <b>RET. LOSS (MIN)</b>            1MHz-30MHz            30MHz-60MHz            60MHz-80MHz  <b>CROSS TALK (TX - RX)</b>            500kHz-1MHz            10 MHz            30 MHz            50 MHz            100 MHz  <b>CM TO CM REJ</b>            100kHz-1MHz            10 MHz            30 MHz            60 MHz            100 MHz  <b>CM TO DM REJ</b>            100kHz-1MHz            10 MHz            30 MHz            60 MHz            100 MHz  <b>HIPDT (Isolation Voltage):</b>            LED 1 &amp; LED 2            VF (FORWARD VOLTAGE)            λD (DOMINANT WAVELENGTH)         </p>	<p>           1CT : 1            1CT : 1            350µH MIN.            -1.0 dB MAX            -18 dB            -18+20LOG(F/30MHz) dB            -12 dB            -70 dB MIN            -50 dB MIN            -45 dB MIN            -40 dB MIN            -35 dB MIN            -70 dB MIN            -47 dB MIN            -42 dB MIN            -37 dB MIN            -30 dB MIN            -70 dB MIN            -60 dB MIN            -50 dB MIN            -45 dB MIN            -40 dB MIN            1500 Vrms or 2250VDC         </p>	<p>           IF=20mA GREEN 2.2V TYP.            IF=20mA YELLOW 2.1V TYP.            IF=20mA GREEN 565nm TYP.            IF=20mA YELLOW 590nm TYP.         </p>
---	---	---

**SCHEMATIC**



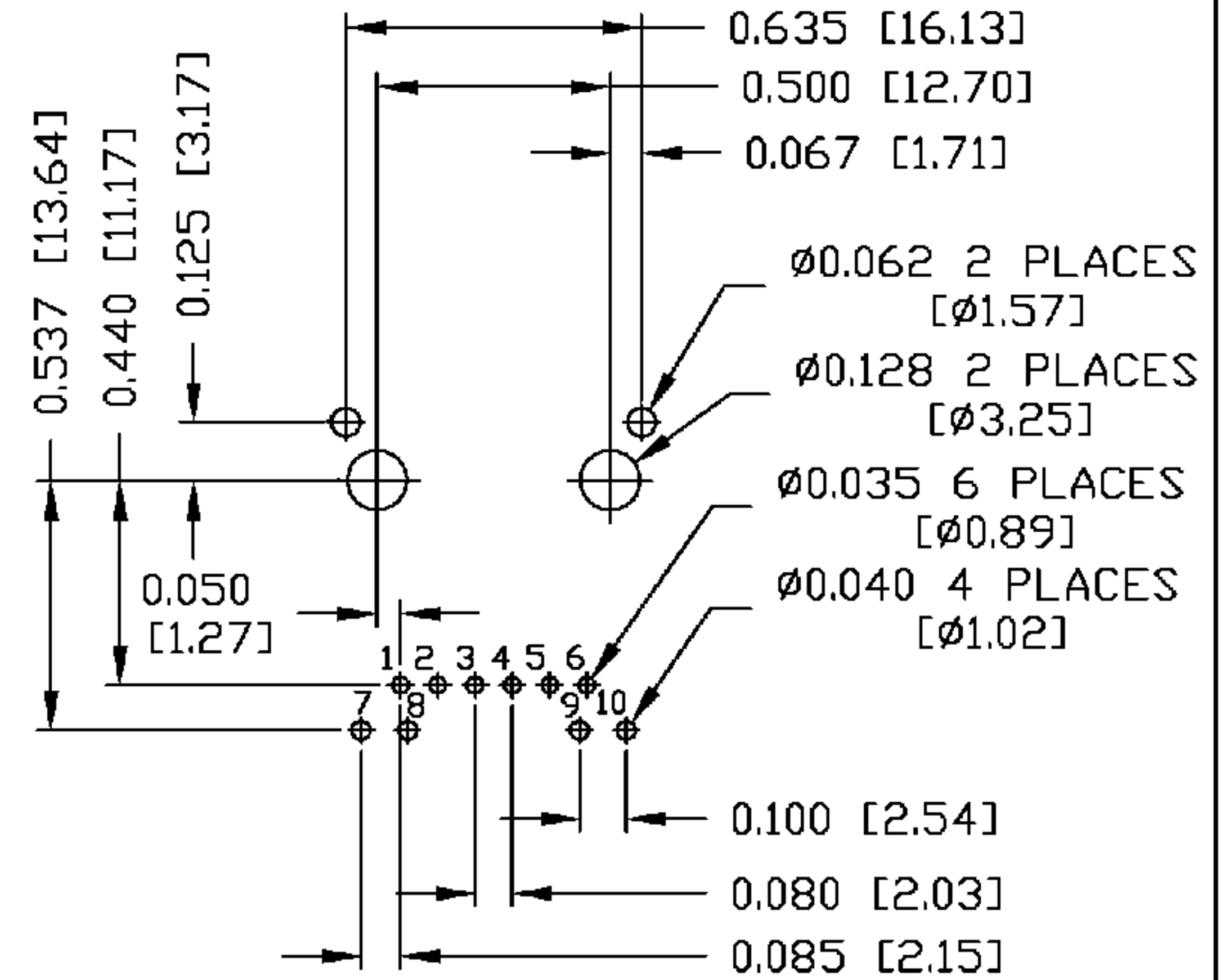
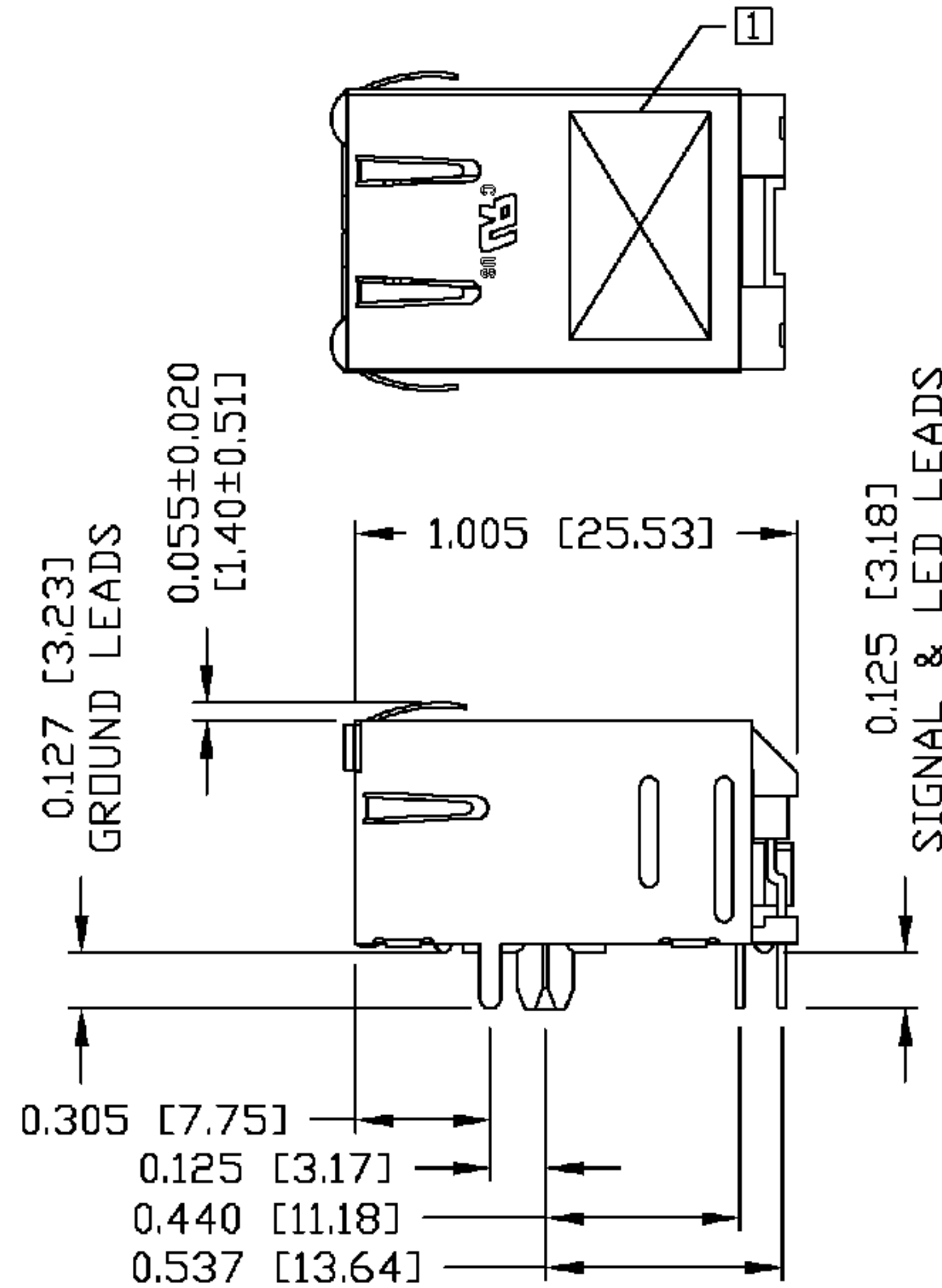
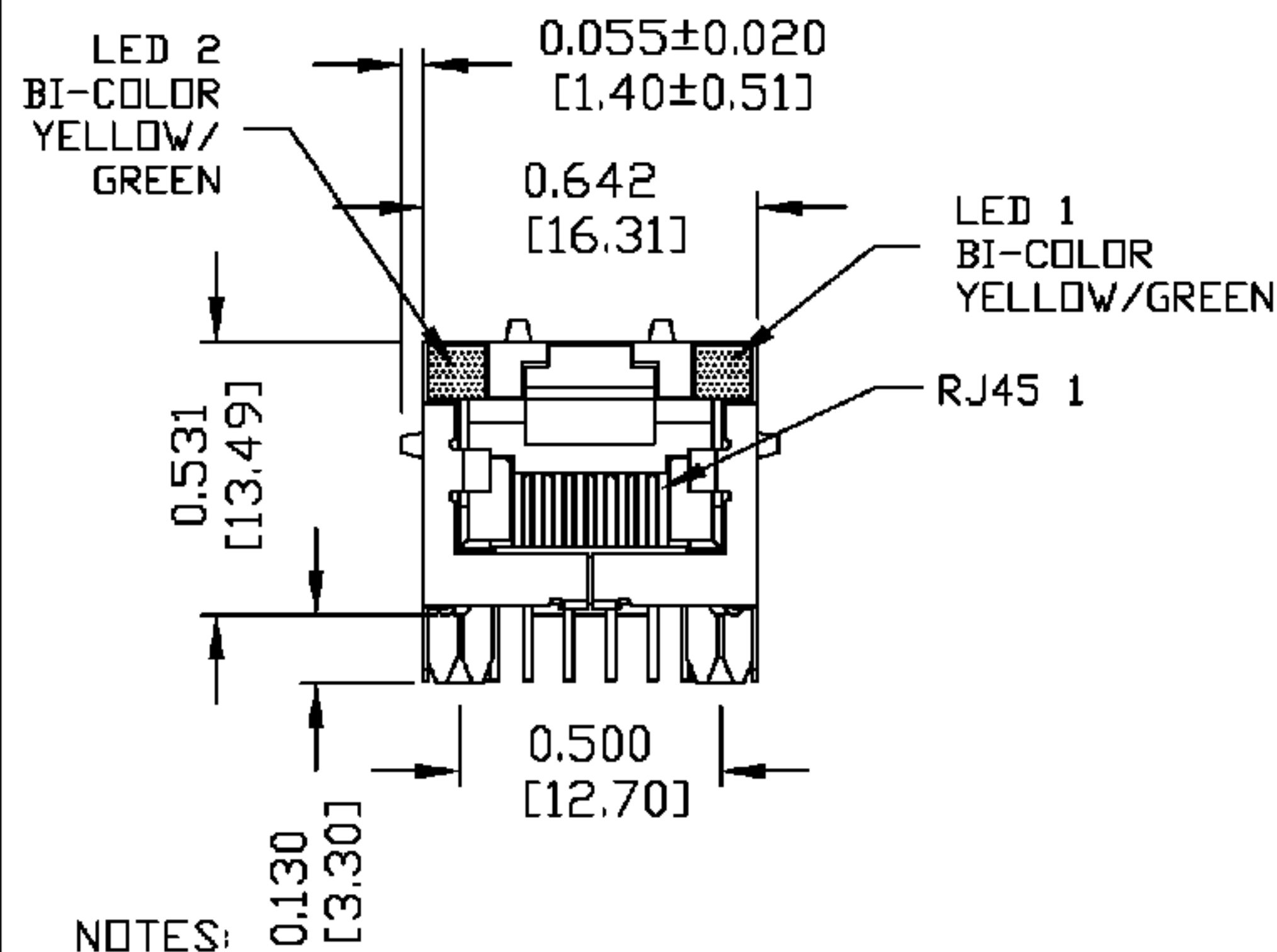
<p> <b>ORIGINATED BY</b>            CHUNG  <b>DATE</b>            03-17-06  <b>DRAWN BY</b>            DE  <b>DATE</b>            03-17-06         </p>	<p> <b>TITLE</b>            MagJack®            (4 Cores, MDIX, CM Termination)            08B0-1C1T-06-F         </p>	<p> <b>PART NO. / DRAWING NO.</b>            08B01C1T06-F  <b>FILE NAME</b>            08B01C1T06-FA.DWG         </p>	<p> <b>STANDARD DIM. TOL. IN INCH</b>            .X            .XX            .XXX         </p>	<p> <b>[ ] METRIC DIM. AS REFERENCE</b>            UNIT : INCH [mm]            SCALE : N/A            REV. : A            SIZE : A4            PAGE : 2         </p>	
---	--	---	---	--	--

THE INFORMATION CONTAINED HEREIN IS CONSIDERED "PROPRIETARY" TO BEL FUSE INC. AND SHALL NOT BE COPIED, REPRODUCED OR DISCLOSED WITHOUT THE WRITTEN APPROVAL OF BEL FUSE INC.



MECHANICAL SPECIFICATION

RECOMMENDED PCB FOOTPRINT  
COMPONENT SIDE VIEW



- PLASTIC HOUSING: THERMOPLASTIC PBT  
FLAMMABILITY RATING UL 94V-0
- CONTACTS PLATING: 15 MICRO-INCH HARD GOLD PLATING
- PINS: TIN-COATED COPPER WIRE, DIA 0.018 INCH.
- METAL SHIELD: PRE-PLATED NICKEL ON COPPER ALLOY.  
(ALL GROUND LEADS ARE SOLDER DIPPED)
- 1 MARK PART WITH MFG LOGO, MFG NAME, PART NUMBER, AND DATE CODE.
- c us UL RECOGNIZED - FILE #E196366 AND E169987.
2. RoHS COMPLIANCE, PER EU DIRECTIVE 2002/95/EC.

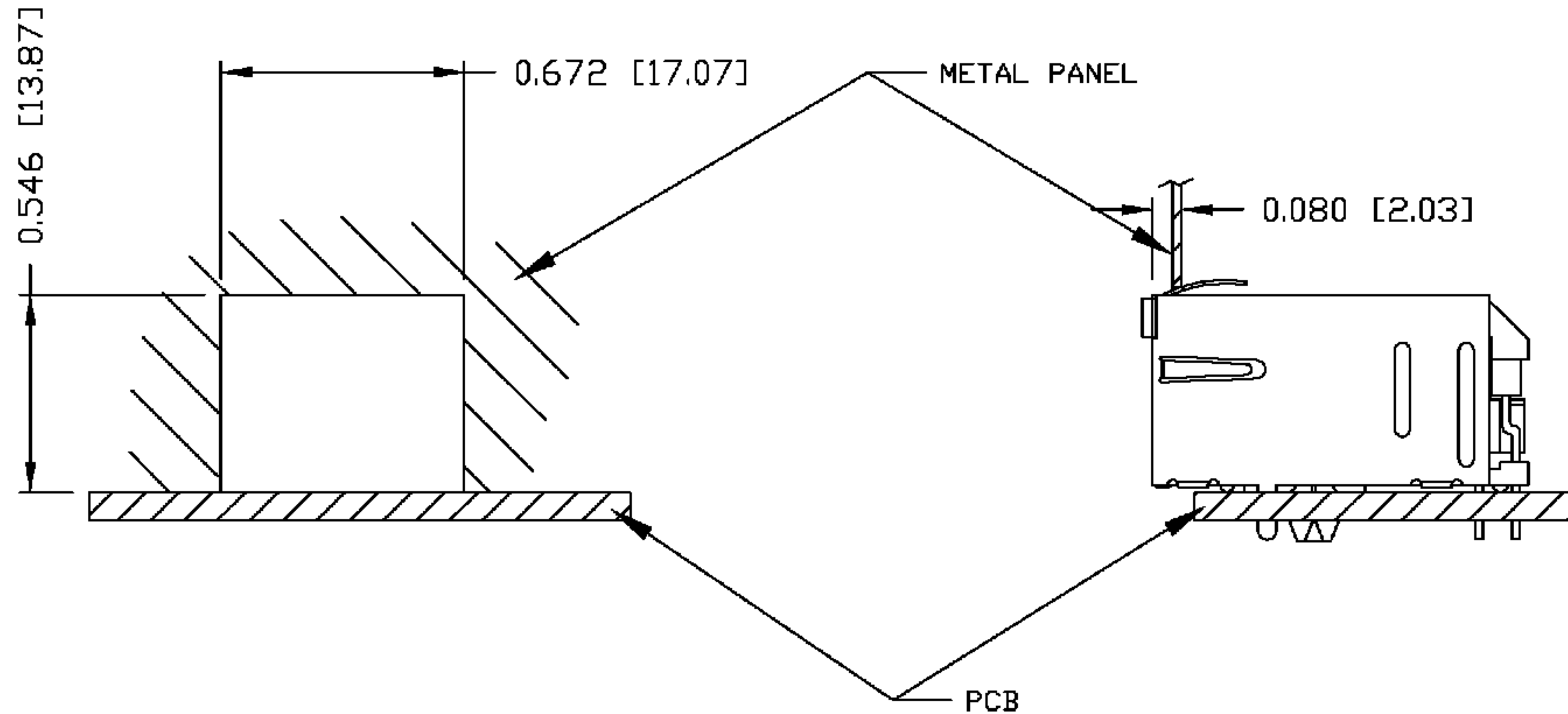
ORIGINATED BY QIN\BILL	DATE 03-17-06	TITLE MagJack® (4 Cores, MDIX, CM Termination)	PART NO. / DRAWING NO. 08B01C1T06-F	STANDARD DIM. TOL. IN INCH	[ ] METRIC DIM. AS REFERENCE	<p>COMPONENTS FOR A CONNECTED PLANET</p>
DRAWN BY TING	DATE 03-17-06	FILE NAME 08B0-1C1T-06-F	08B01C1T06-FA.DWG	.X	UNIT : INCH [mm]	
				.XX	SCALE : N/A	
				.XXX ±0.010	SIZE : A4 PAGE : 3	

THE INFORMATION CONTAINED HEREIN IS CONSIDERED "PROPRIETARY" TO BEL FUSE INC. AND SHALL NOT BE COPIED, REPRODUCED OR DISCLOSED WITHOUT THE WRITTEN APPROVAL OF BEL FUSE INC.

RoHS  
2002/95/EC



SUGGESTED PANEL OPENING



NOTE:

THE DISTANCE OF PANEL INSIDE SURFACE RELATIVE TO FRONT SURFACE OF PART IS ONLY A SUGGESTION. IN CASE THIS DISTANCE IS DIFFERENT, THE REQUIRED PANEL OPENING DIMENSIONS CHANGE ACCORDINGLY.

PACKING INFORMATION

PACKING TRAY : 0200-9999-D4(TOP)

0200-9999-D5(BOTTOM)

PACKING QUANTITY : 60 PCS FINISHED GOODS PER TRAY

11 TRAYS (660 PCS FINISHED GOODS) PER CARTON BOX

NOTE : CARDBOARDS ARE PLACED BETWEEN LAYERS OF PACKING TRAY INSIDE CARTON BOX  
(INCLUDE THE UPPERMOST AND LOWERMOST TRAY)

ORIGINATED BY QIN\BILL	DATE 03-17-06	TITLE MagJack® (4 Cores, MDIX, CM Termination)	PART NO. / DRAWING NO. 08B01C1T06-F		STANDARD DIM. TOL. IN INCH		[ ] METRIC DIM. AS REFERENCE		 COMPONENTS FOR A CONNECTED PLANET
			FILE NAME 08B01C1T06-FA.DWG		.X		UNIT : INCH [mm]	REV. : A	
DRAWN BY TING	DATE 03-17-06			.XX		SCALE : N/A	SIZE : A4		
				.XXX	±0.004		PAGE : 4		