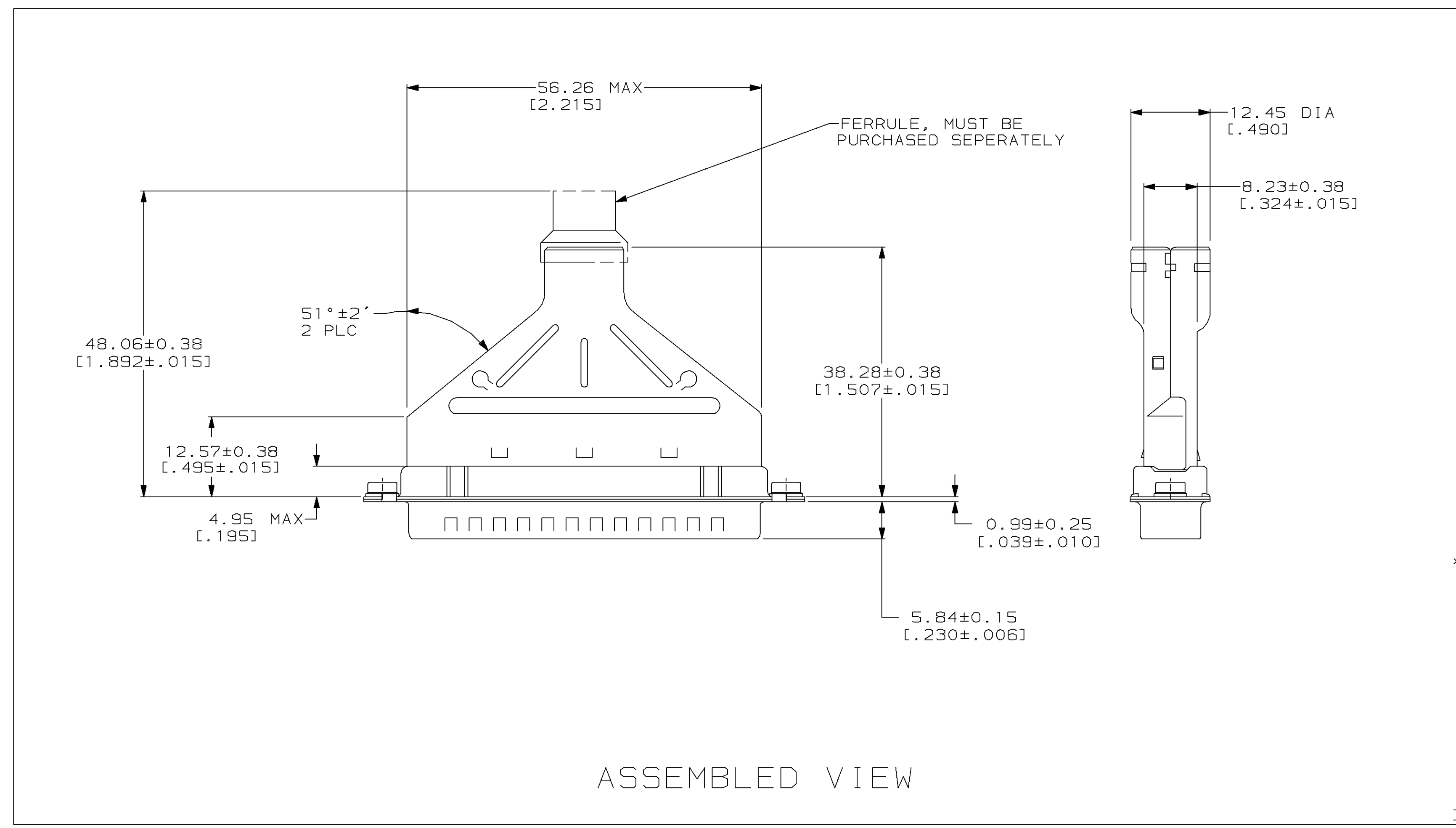
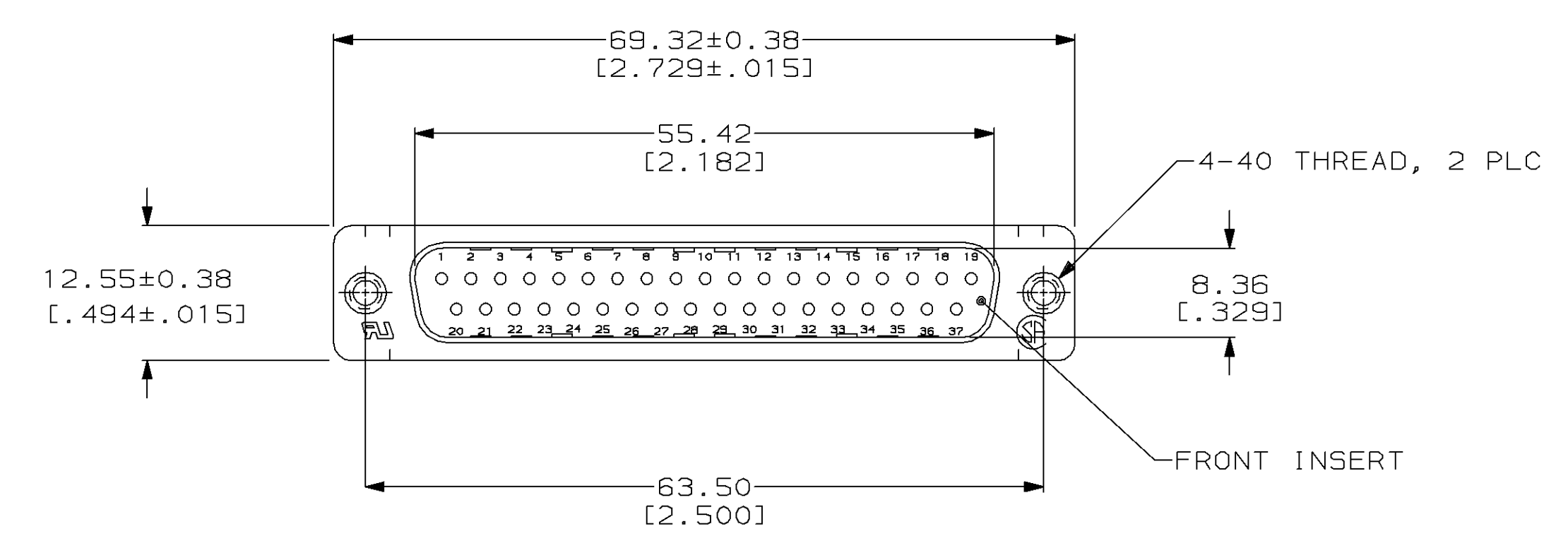
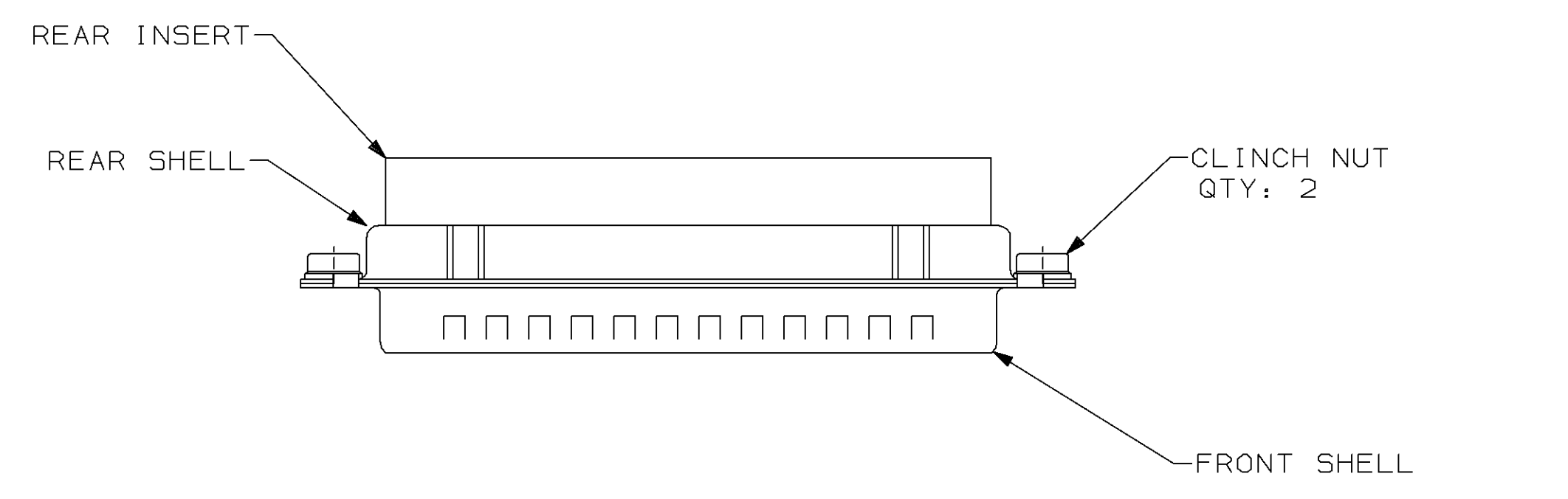
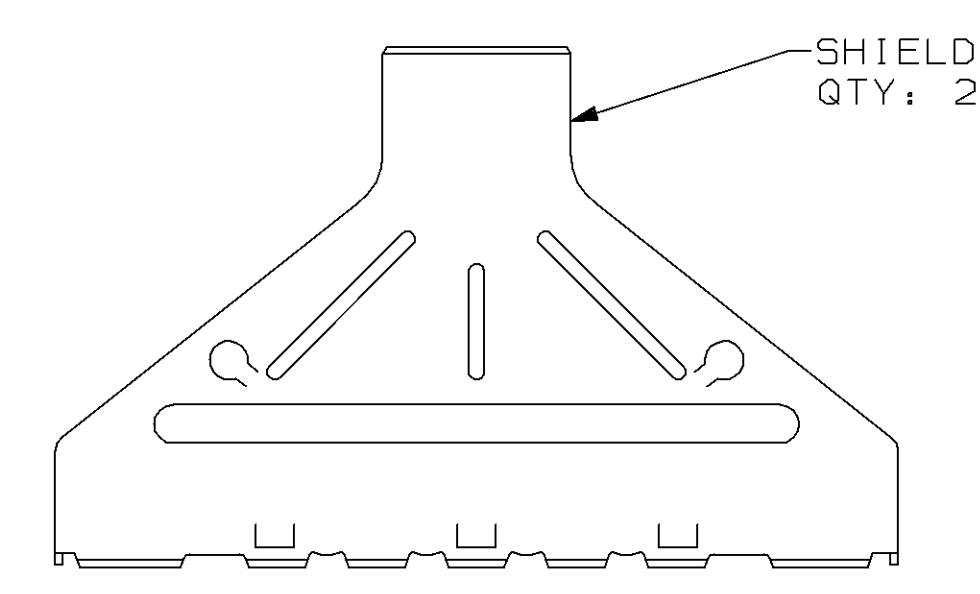


LOC		01ST		2		1		REVISIONS			
BD	48	P	F	ZONE	LTR	DESCRIPTION	DATE	APPD			
						RLSE NPR 4847, WAS 93-5788-2-1	6-28-93	-			



- 1 CARBON STEEL.
- 2 5.08µm [.000200] MIN TIN OVER 2.54µm [.000100] MIN COPPER.
- 3 NYLON, UL 94V-0 RATED, GLASS FILLED, BLACK.
- 4 ZINC PLATED, YELLOW CHROMATE.

THIS DRAWING IS A CONTROLLED DOCUMENT FOR AMP INCORPORATED. IT IS SUBJECT TO CHANGE AND THE CONTROLLING ENGINEERING ORGANIZATION SHOULD BE CONTACTED FOR THE LATEST REVISION.

DO NOT SCALE PRINT. UNLESS SPECIFIED DIMENSIONS IN mm [INCHES] TOLERANCES ON : 2 PLC DEC ± 0.13 (.005) 3 PLC DEC ± - ANGLES ± -		DR 6-28-93 J McCLINTON	AMP AMP Incorporated Harrisburg, PA 17105-3608	
MATERIAL INSERTS: 3 SHELLS, SHIELDS & CLINCH NUTS: 1	APPD 6-29-93 S. BRINSER	CHK 6-28-93 R. STONE		
FINISH SHELLS & SHIELDS: 3 CLINCH NUTS: 4	APPD 6-29-93 S. BRINSER	APPD 6-29-93 S. BRINSER	PRODUCT SPEC 108-40030	SIZE CAGE CODE DRAWING NO D 00779 C= 786929 SCALE 4:1 SHEET 1 OF 1
	APPLICATION SPEC 114-40007	WEIGHT -	786929-1 PART NO	

CUSTOMER DRAWING