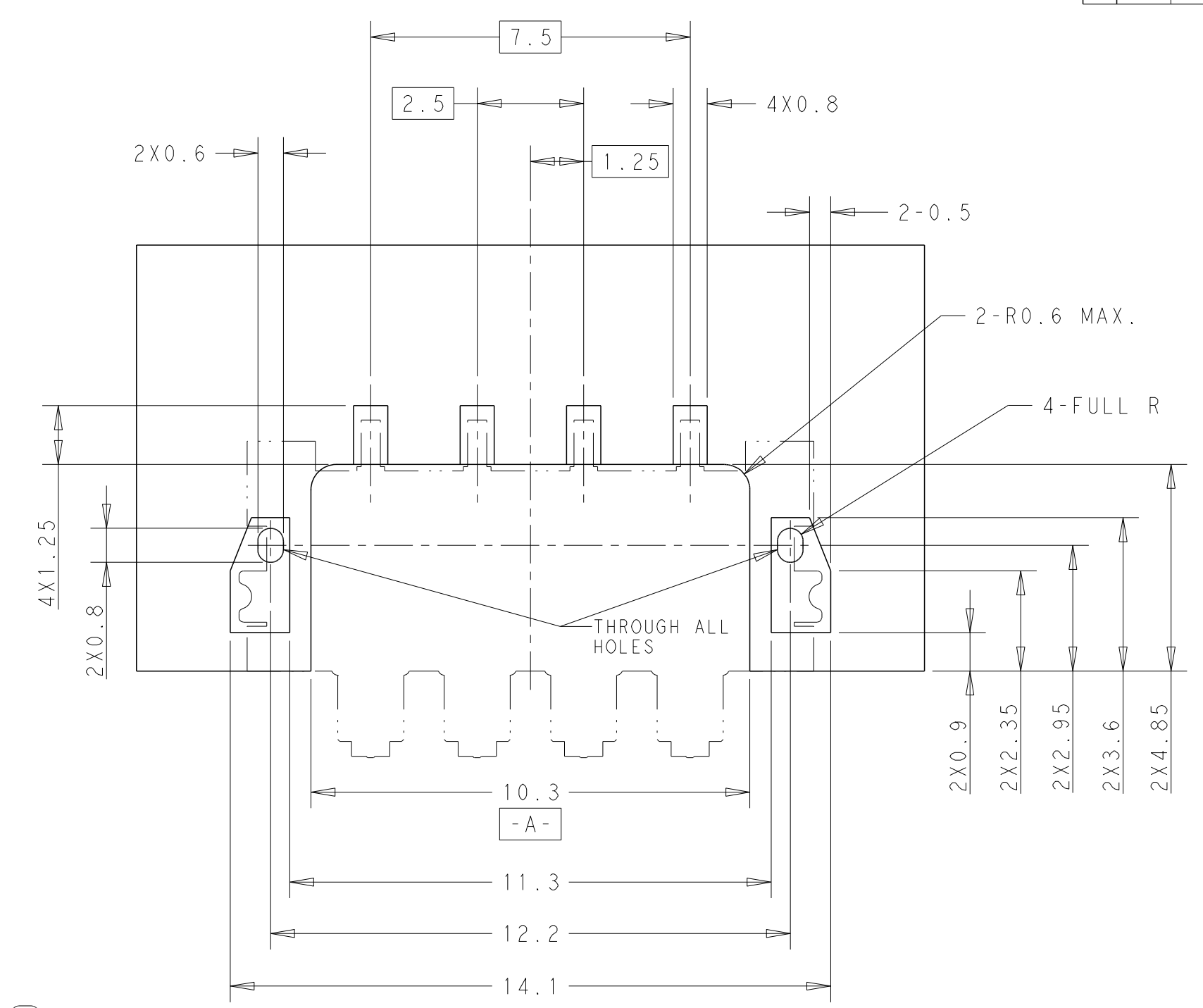
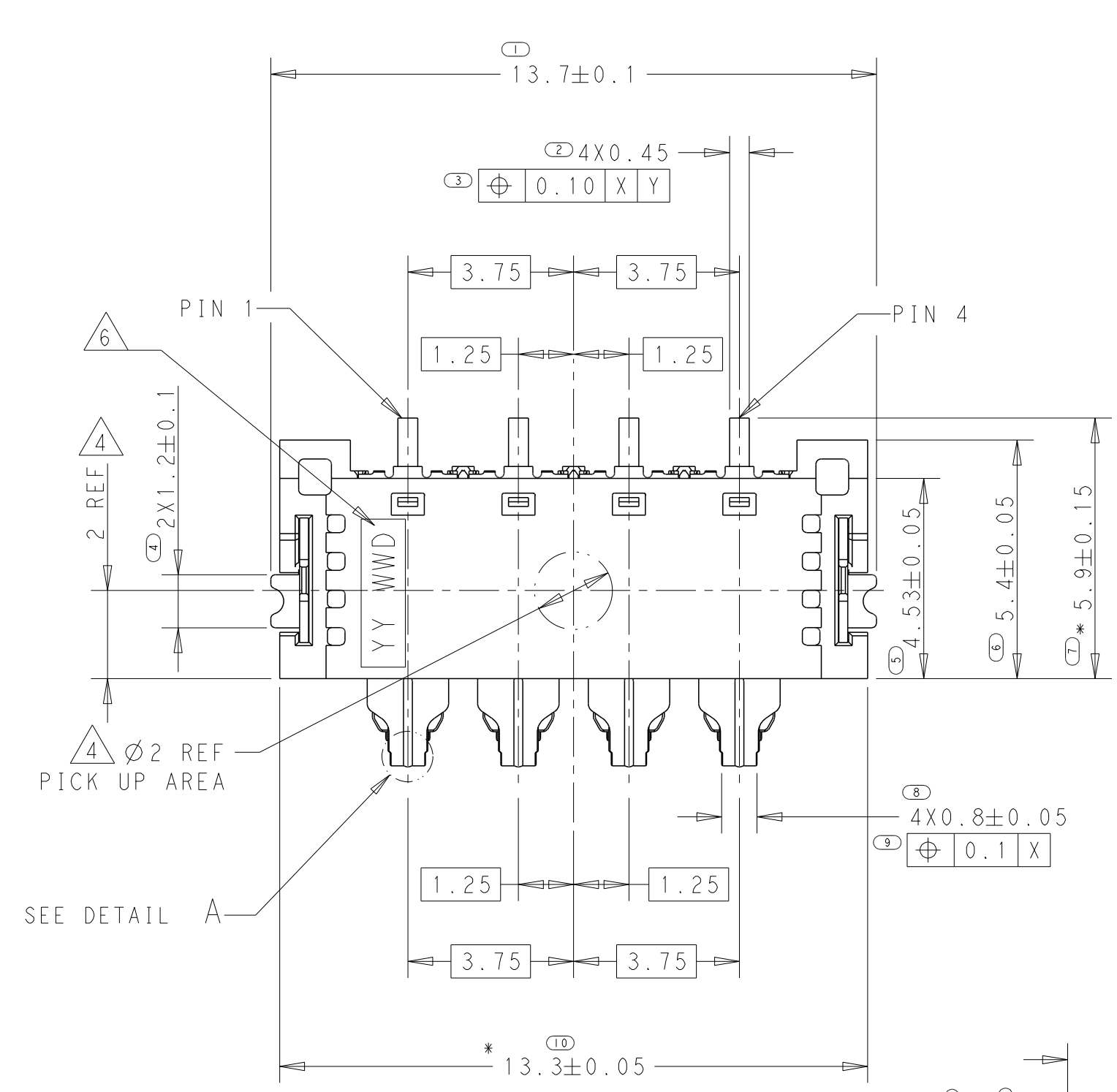
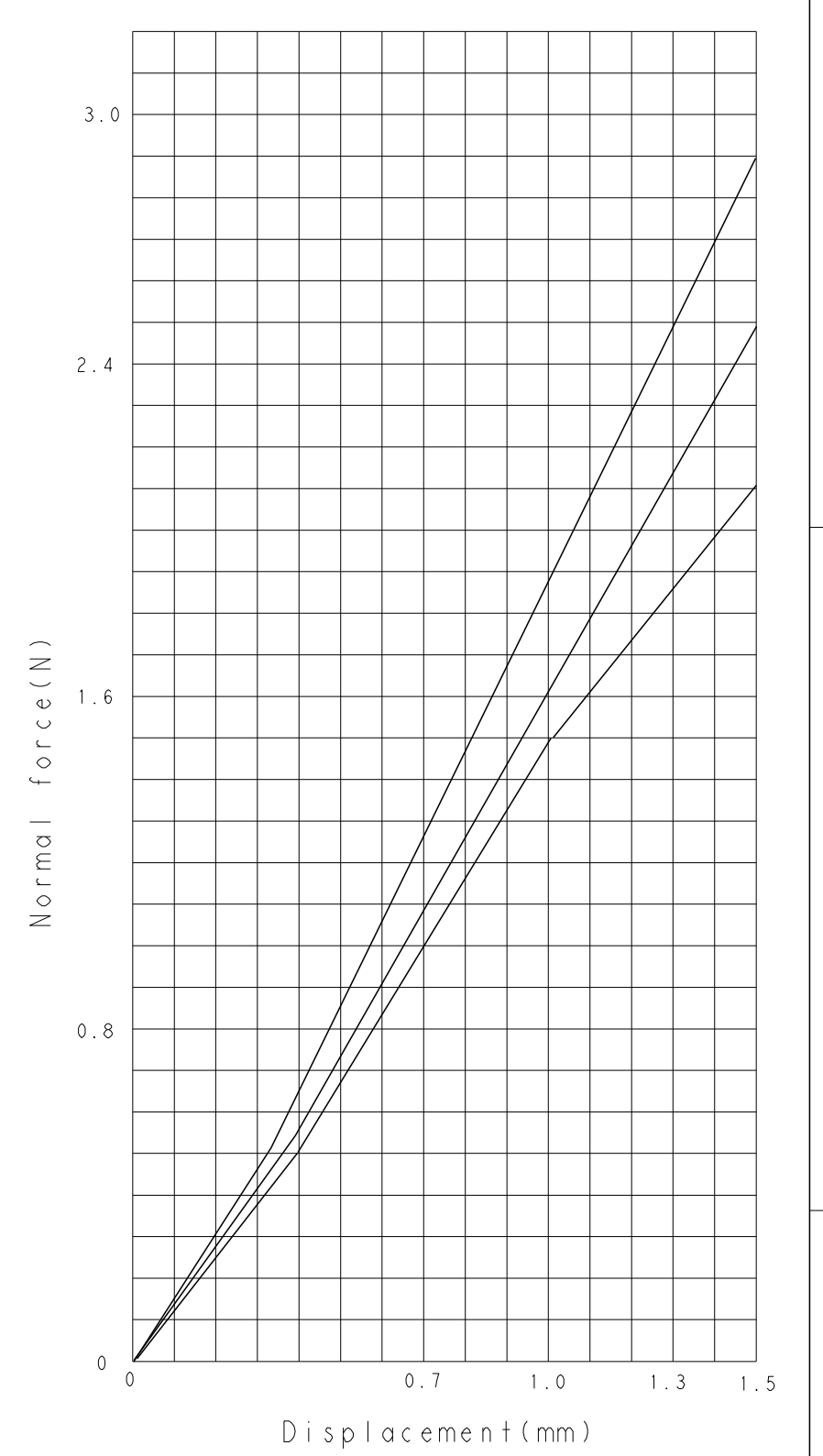
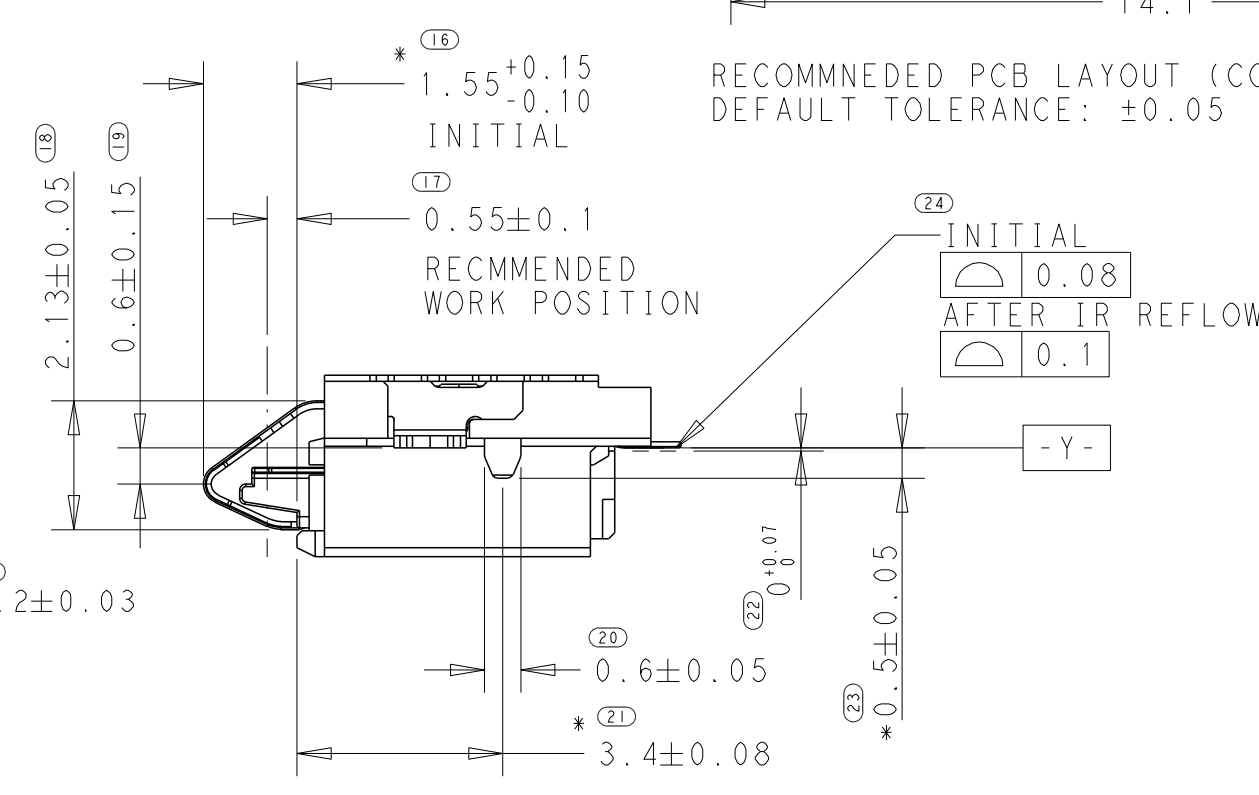
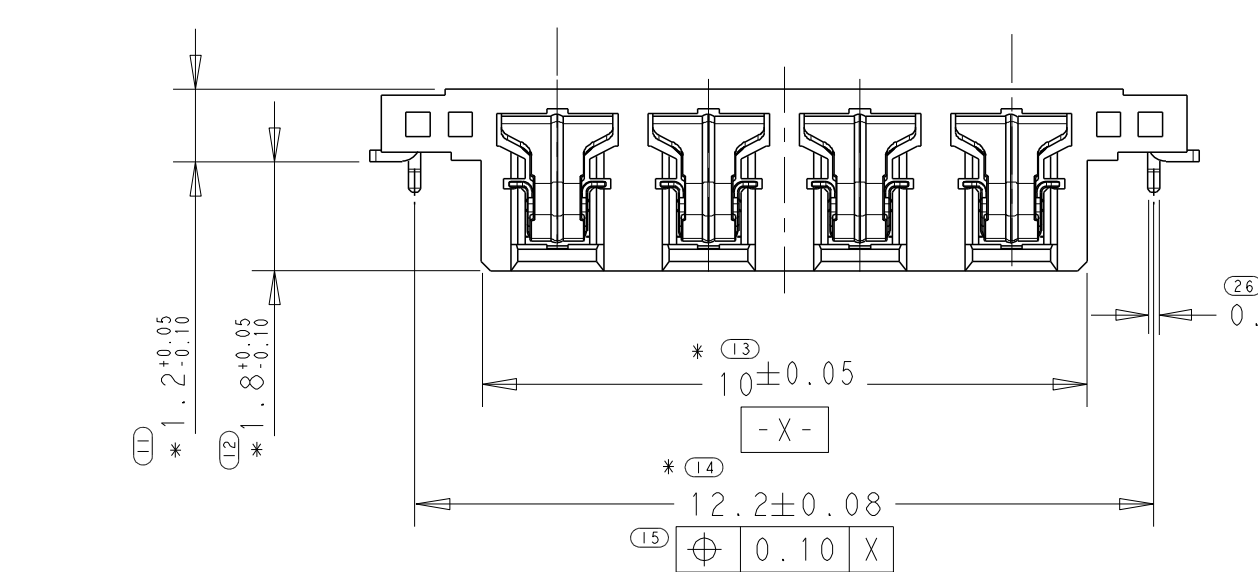


REVISIONS				
P	LTR	DESCRIPTION	DATE	DWN APVD
	A2	REVISED	21SEP2015	J. J. W. H.

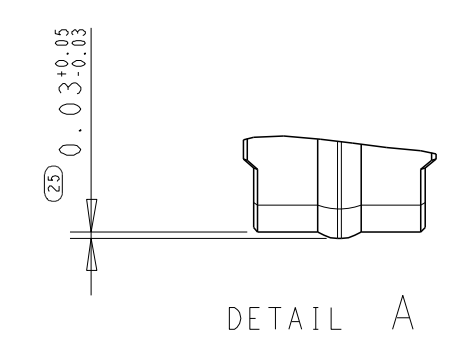


RECOMMENDED PCB LAYOUT (COMPONENTS SIDE VIEW)  
 DEFAULT TOLERANCE: ±0.05

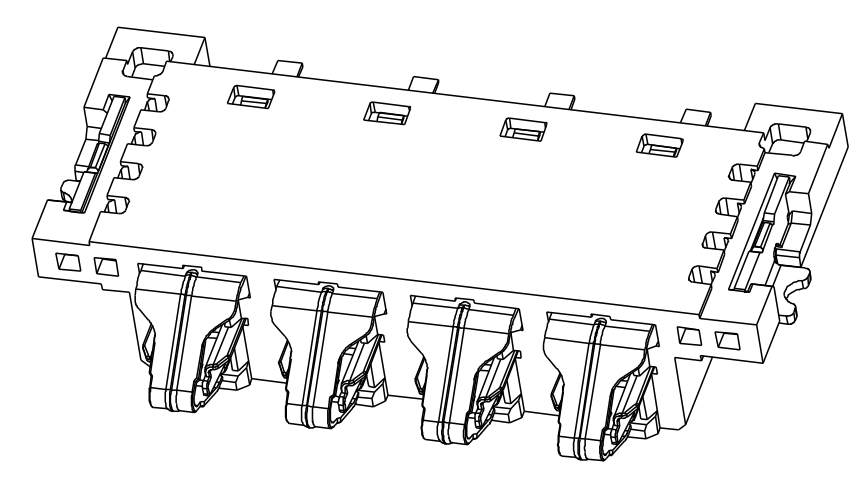


NORMAL FORCE CURVE FOR REFERENCE

- 1 MATERIAL  
 CONTACT: NICKEL COPPER.  
 HOUSING: LCP, UL94V-0, BLACK.  
 SOLDER PEG: BRASS OR STAINLESS STEEL.
- 2 FINISH  
 CONTACT: 1.25µm MIN. NICKEL UNDER PLATING  
 0.375µm MIN. GOLD PLATING AT CONTACT AREA.  
 0.025µm MIN. GOLD PLATING AT SOLDERING AREA  
 SOLDER PEG: 1.0µm MIN. NICKEL UNDER PLATING  
 1.5µm MIN. TIN PLATING
- 3 COPLANARITY 0.08 MAX.
- 4 PICK UP AREA
- 5 EMBOSS AND COVER TAPE: ESD PROTECTION MATERIAL
- 6 MARK WITH DATE CODE, YYWWD: YY-YEAR, WW-WEEK, D-DAY
- 7 STORAGE LIFE: AT LEAST 12 MONTHS
- 8 PART NO : 2289817-1

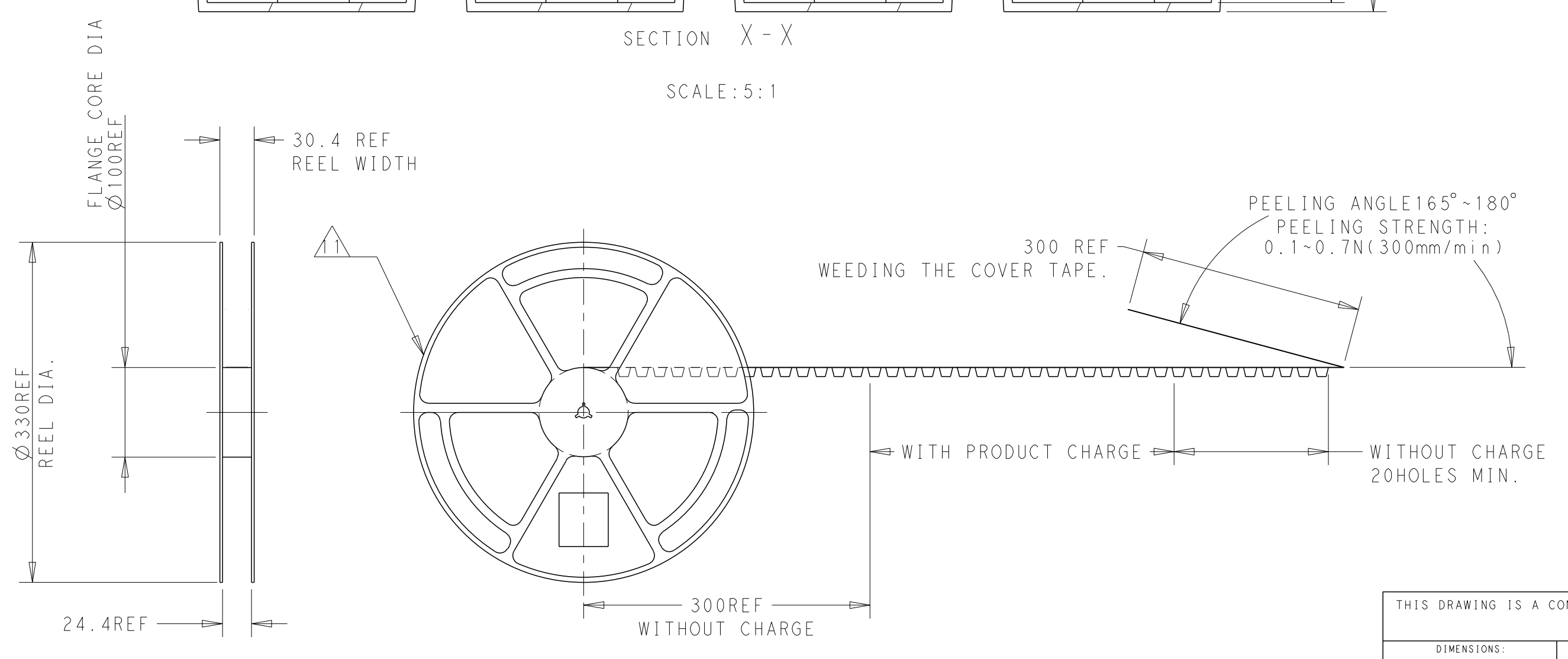
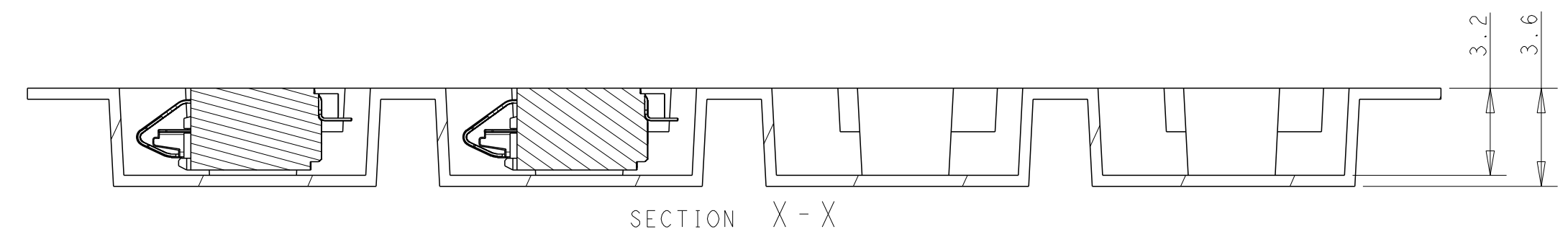
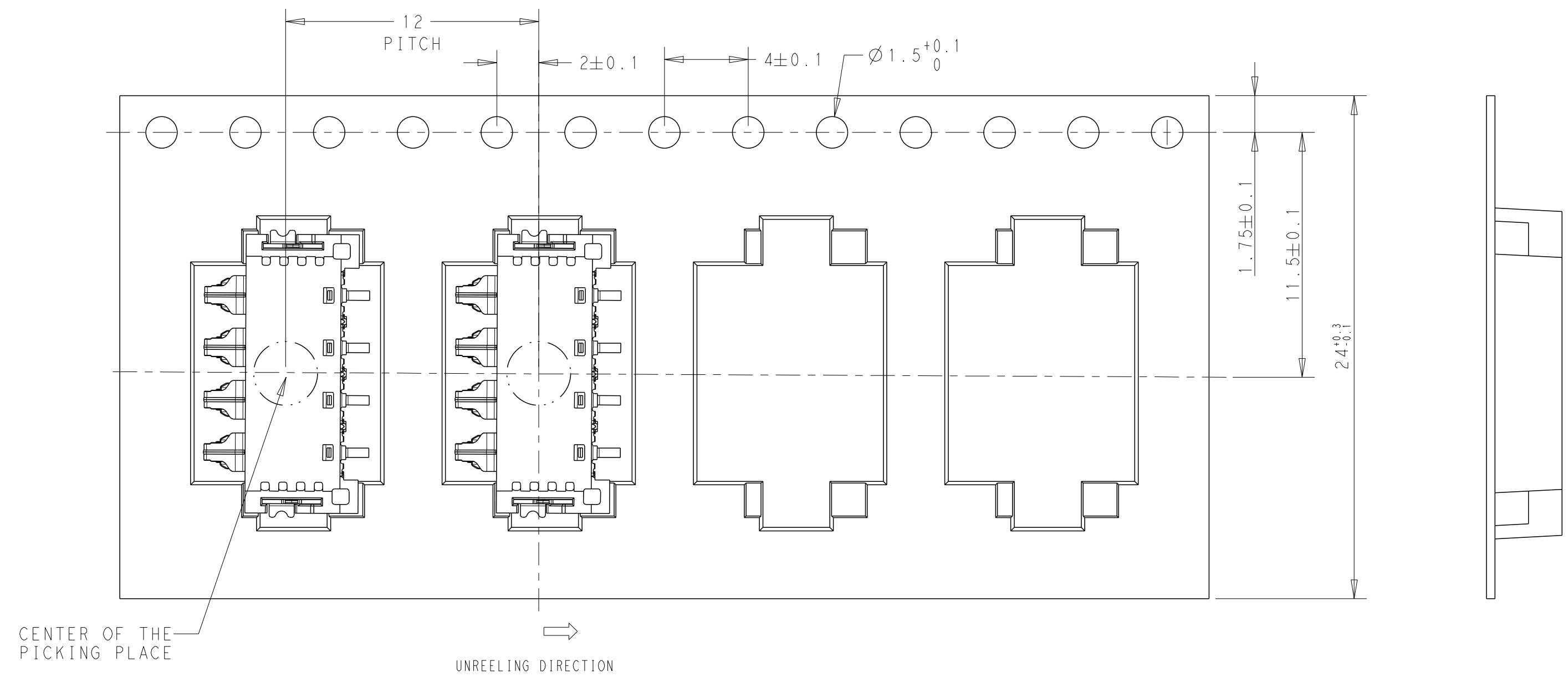


DETAIL A



THIS DRAWING IS A CONTROLLED DOCUMENT.		DWN T. YASUI 25FEB2015	TE Connectivity	
DIMENSIONS: mm		CHK A. KUBO 25FEB2015		
TOLERANCES UNLESS OTHERWISE SPECIFIED:		APVD T. MATSUDAIRA 25FEB2015	NAME LOW PROFILE BATTERY	
0 PLC ± 1 PLC ±0.35 2 PLC ±0.25 3 PLC ±0.05 4 PLC ±0.02		PRODUCT SPEC	SIZE A2	
MATERIAL 1		APPLICATION SPEC	CAGE CODE	DRAWING NO
FINISH 2		WEIGHT	RESTRICTED TO	
		CUSTOMER DRAWING	SCALE NTS	SHEET 1 OF 2
			REV A2	

REVISIONS				
P	LTR	DESCRIPTION	DATE	APVD



1500	2289817-1
QTY/REEL	P/N

THIS DRAWING IS A CONTROLLED DOCUMENT.		DWN HILL HE 10FEB2015	TE Connectivity NAME LOW PROFILE BATTERY			
DIMENSIONS: mm		CHK WENKE HE 10FEB2015				
		APVD WENKE HE 10FEB2015				
TOLERANCES UNLESS OTHERWISE SPECIFIED:		PRODUCT SPEC	SIZE A2	CAGE CODE -	DRAWING NO C=2289817	RESTRICTED TO -
MATERIAL TBD		APPLICATION SPEC	WEIGHT -	SCALE 10:1	SHEET 2 OF 2	REV A2
0 PLC ± 1 PLC ±0.35 2 PLC ±0.25 3 PLC ±0.05 4 PLC ±0.02 ANGLES ± FINISH -		CUSTOMER DRAWING				