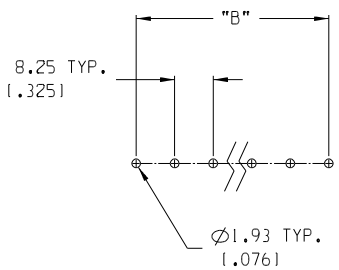
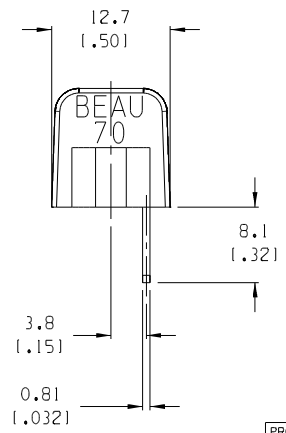
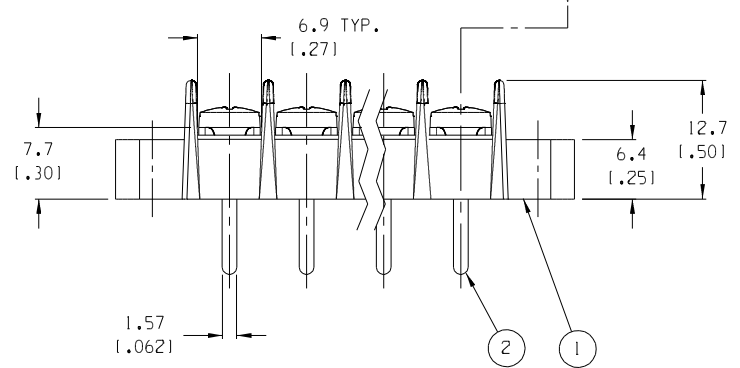


4 CIRCUIT SHOWN



PTH PATTERN SCALE 1:1



- NOTES:
1. MATERIAL: SEE TABLE
 2. FINISHES: SEE TABLE
 3. PRODUCT SPECIFICATION: NOT REQUIRED
 4. PACKAGING: NOT REQUIRED
 5. MATES WITH: NONE
 6. "XX" REFERS TO THE NUMBER OF CIRCUITS

| ITEM | QTY. | DESCRIPTION | MATERIAL | FINISH |
|------|------|---|----------|--------------------|
| 5 | "XX" | SCREW, #6-32X.250, PAN HD, PH-SL, W/50 WASHER (-50 OPT) | STEEL | ZN, CLEAR CHROMATE |
| 4 | "XX" | SCREW, #6-32X.250, PAN HD, PH-SL (-49 OPT) | BRASS | NICKEL PLATE |
| 3 | "XX" | SCREW, #6-32X.250, PAN HD, PH-SL | STEEL | ZN, CLEAR CHROMATE |
| 2 | "XX" | TERMINAL, WW | BRASS | TIN PLATE |
| 1 | 1 | INSULATOR, SR, MOLDED MTG. | PBT | BLACK |

| | | | | | | | | | |
|--|--|---|----------------------------------|--|------------------------|---------------------------------------|--------------------------|---|-----------|
| EC NO. : DRAWN : CH'K : APPR : A | QUALITY SYMBOLS MAJOR : CRITICAL : SPC : S : | GENERAL TOLERANCES: (UNLESS SPECIFIED) mm INCH 4 PLACES ±.0015 3 PLACES ±.038 ±.005 2 PLACES ±.13 ±.01 1 PLACE ±.3 ANGULAR: ±2° DRAFT WHERE APPLICABLE MUST REMAIN WITHIN DIMENSIONS | SCALE 2:1 | DESIGN UNITS <input type="checkbox"/> mm <input checked="" type="checkbox"/> INCH | THIRD ANGLE PROJECTION | TITLE: 8.26mm (.325") SR BTS ASSY, WW | | | |
| | | | DRAWN BY & DATE C. YORK 06-28-05 | CHECKED BY & DATE | APPROVED BY & DATE | MATERIAL NO. SEE SHT. 2 | DRAWING NO. SD-38701-001 | SHEET NO. 1 OF 2 | |
| | | | CAD FILENAME 707XX | THIS DRAWING CONTAINS INFORMATION THAT IS PROPRIETARY TO MOLEX INCORPORATED AND SHOULD NOT BE USED WITHOUT WRITTEN PERMISSION. | | MOLEX INCORPORATED | | SIZE B | |
| | | | | | | | | PROJECT NO. - | I - |
| | | | | | | | | DIMENSIONS: <input checked="" type="checkbox"/> mm <input type="checkbox"/> INCH <input type="checkbox"/> mm ONLY | SHT - REV |

| NUMBER OF CIRCUITS "XX" | DIM "A" | | DIM "B" | | DIM "C" | | DIM "D" | | MATERIAL NO. (STD) | MATERIAL NO. (-49 OPT) | MATERIAL NO. (-50 OPT) |
|-------------------------|---------|---------|---------|---------|---------|----------|---------|--------|--------------------|------------------------|------------------------|
| 02 | 32.6 | 11.291 | 8.26 | 1.3251 | 24.77 | 1.9751 | 18.5 | 1.731 | 387012102 | 387012702 | 387013302 |
| 03 | 40.9 | 11.611 | 16.51 | 1.6501 | 33.02 | 11.3001 | 26.8 | 11.061 | 387012103 | 387012703 | 387013303 |
| 04 | 49.1 | 11.941 | 24.77 | 1.9751 | 41.28 | 11.6251 | 35.1 | 11.381 | 387012104 | 387012704 | 387013304 |
| 05 | 57.4 | 12.261 | 33.02 | 11.3001 | 49.53 | 11.9501 | 43.3 | 11.711 | 387012105 | 387012705 | 387013305 |
| 06 | 65.7 | 12.591 | 41.28 | 11.6251 | 57.79 | 12.2751 | 51.6 | 12.031 | 387012106 | 387012706 | 387013306 |
| 07 | 73.9 | 12.911 | 49.53 | 11.9501 | 66.04 | 12.6001 | 59.8 | 12.361 | 387012107 | 387012707 | 387013307 |
| 08 | 82.2 | 13.241 | 57.79 | 12.2751 | 74.30 | 12.9251 | 68.1 | 12.681 | 387012108 | 387012708 | 387013308 |
| 09 | 90.4 | 13.561 | 66.04 | 12.6001 | 82.55 | 13.2501 | 76.3 | 13.011 | 387012109 | 387012709 | 387013309 |
| 10 | 98.7 | 13.891 | 74.30 | 12.9251 | 90.81 | 13.5751 | 84.6 | 13.331 | 387012110 | 387012710 | 387013310 |
| 11 | 106.9 | 14.211 | 82.55 | 13.2501 | 99.06 | 13.9001 | 92.8 | 13.661 | 387012111 | 387012711 | 387013311 |
| 12 | 115.2 | 14.541 | 90.81 | 13.5751 | 107.32 | 14.2251 | 101.1 | 13.981 | 387012112 | 387012712 | 387013312 |
| 13 | 123.4 | 14.861 | 99.06 | 13.9001 | 115.57 | 14.5501 | 109.3 | 14.311 | 387012113 | 387012713 | 387013313 |
| 14 | 131.7 | 15.191 | 107.32 | 14.2251 | 123.83 | 14.8751 | 117.6 | 14.631 | 387012114 | 387012714 | 387013314 |
| 15 | 140.0 | 15.511 | 115.57 | 14.5501 | 132.08 | 15.2001 | 125.9 | 14.961 | 387012115 | 387012715 | 387013315 |
| 16 | 148.2 | 15.841 | 123.83 | 14.8751 | 140.34 | 15.5251 | 134.1 | 15.281 | 387012116 | 387012716 | 387013316 |
| 17 | 156.5 | 16.161 | 132.08 | 15.2001 | 148.59 | 15.8501 | 142.4 | 15.611 | 387012117 | 387012717 | 387013317 |
| 18 | 164.7 | 16.491 | 140.34 | 15.5251 | 156.85 | 16.1751 | 150.6 | 15.931 | 387012118 | 387012718 | 387013318 |
| 19 | 173.0 | 16.811 | 148.59 | 15.8501 | 165.10 | 16.5001 | 158.9 | 16.261 | 387012119 | 387012719 | 387013319 |
| 20 | 181.2 | 17.141 | 156.85 | 16.1751 | 173.36 | 16.8251 | 167.1 | 16.581 | 387012120 | 387012720 | 387013320 |
| 21 | 189.5 | 17.461 | 165.10 | 16.5001 | 181.61 | 17.1501 | 175.4 | 16.911 | 387012121 | 387012721 | 387013321 |
| 22 | 197.7 | 17.791 | 173.36 | 16.8251 | 189.87 | 17.4751 | 183.6 | 17.231 | 387012122 | 387012722 | 387013322 |
| 23 | 206.0 | 18.111 | 181.61 | 17.1501 | 198.12 | 17.8001 | 191.9 | 17.561 | 387012123 | 387012723 | 387013323 |
| 24 | 214.2 | 18.441 | 189.87 | 17.4751 | 206.38 | 18.1251 | 200.2 | 17.881 | 387012124 | 387012724 | 387013324 |
| 25 | 222.5 | 18.761 | 198.12 | 17.8001 | 214.63 | 18.4501 | 208.4 | 18.211 | 387012125 | 387012725 | 387013325 |
| 26 | 230.8 | 19.091 | 206.38 | 18.1251 | 222.89 | 18.7751 | 216.7 | 18.531 | 387012126 | 387012726 | 387013326 |
| 27 | 239.0 | 19.411 | 214.63 | 18.4501 | 231.14 | 19.1001 | 224.9 | 18.861 | 387012127 | 387012727 | 387013327 |
| 28 | 247.3 | 19.741 | 222.89 | 18.7751 | 239.40 | 19.4251 | 233.2 | 19.181 | 387012128 | 387012728 | 387013328 |
| 29 | 255.5 | 110.061 | 231.14 | 19.1001 | 247.65 | 19.7501 | 241.4 | 19.511 | 387012129 | 387012729 | 387013329 |
| 30 | 263.8 | 110.391 | 239.40 | 19.4251 | 255.91 | 110.0751 | 249.7 | 19.831 | 387012130 | 387012730 | 387013330 |

| | | |
|---|--|--------------------|
| PROJECT NO. - | - | - |
| DIMENSIONS: | SHT | REV |
| <input checked="" type="checkbox"/> mm <input type="checkbox"/> INCH | <input type="checkbox"/> mm <input type="checkbox"/> ONLY | REVISE ON CAD ONLY |

| EC NO. - SEE SHEET 1 DRAWN: CH'KT APPR: | QUALITY SYMBOLS MAJOR: CRITICAL: SPC: S: | GENERAL TOLERANCES: (UNLESS SPECIFIED) <table border="1"> <tr> <th></th> <th>mm</th> <th>INCH</th> </tr> <tr> <td>4 PLACES</td> <td></td> <td>±.0015</td> </tr> <tr> <td>3 PLACES</td> <td>±.038</td> <td>±.005</td> </tr> <tr> <td>2 PLACES</td> <td>±.13</td> <td>±.01</td> </tr> <tr> <td>1 PLACE</td> <td>±.3</td> <td></td> </tr> </table> | | mm | INCH | 4 PLACES | | ±.0015 | 3 PLACES | ±.038 | ±.005 | 2 PLACES | ±.13 | ±.01 | 1 PLACE | ±.3 | | SCALE: -- DESIGN UNITS: <input type="checkbox"/> mm <input checked="" type="checkbox"/> INCH THIRD ANGLE PROJECTION: | DRAWN BY & DATE: C. YORK 6-28-05 CHECKED BY & DATE: APPROVED BY & DATE: | TITLE: 8.26mm (.325") SR BTS ASSY, WW MOLEX INCORPORATED |
|---|--|--|--|-------------------------|---------------------------|----------|--|--------|----------|-------|-------|----------|------|------|---------|-----|--|--|--|--|
| | | mm | INCH | | | | | | | | | | | | | | | | | |
| | 4 PLACES | | ±.0015 | | | | | | | | | | | | | | | | | |
| | 3 PLACES | ±.038 | ±.005 | | | | | | | | | | | | | | | | | |
| 2 PLACES | ±.13 | ±.01 | | | | | | | | | | | | | | | | | | |
| 1 PLACE | ±.3 | | | | | | | | | | | | | | | | | | | |
| REV | DESCRIPTION | ANGULAR: ±2° | CAD FILENAME: 707XX | MATERIAL NO.: SEE CHART | DRAWING NO.: SD-38701-001 | | | | | | | | | | | | | | | |
| | | DRAFT WHERE APPLICABLE MUST REMAIN WITHIN DIMENSIONS | THIS DRAWING CONTAINS INFORMATION THAT IS PROPRIETARY TO MOLEX INCORPORATED AND SHOULD NOT BE USED WITHOUT WRITTEN PERMISSION. | | SHEET NO. 2 OF 2 | | | | | | | | | | | | | | | |
| | | | | | SIZE B | | | | | | | | | | | | | | | |

