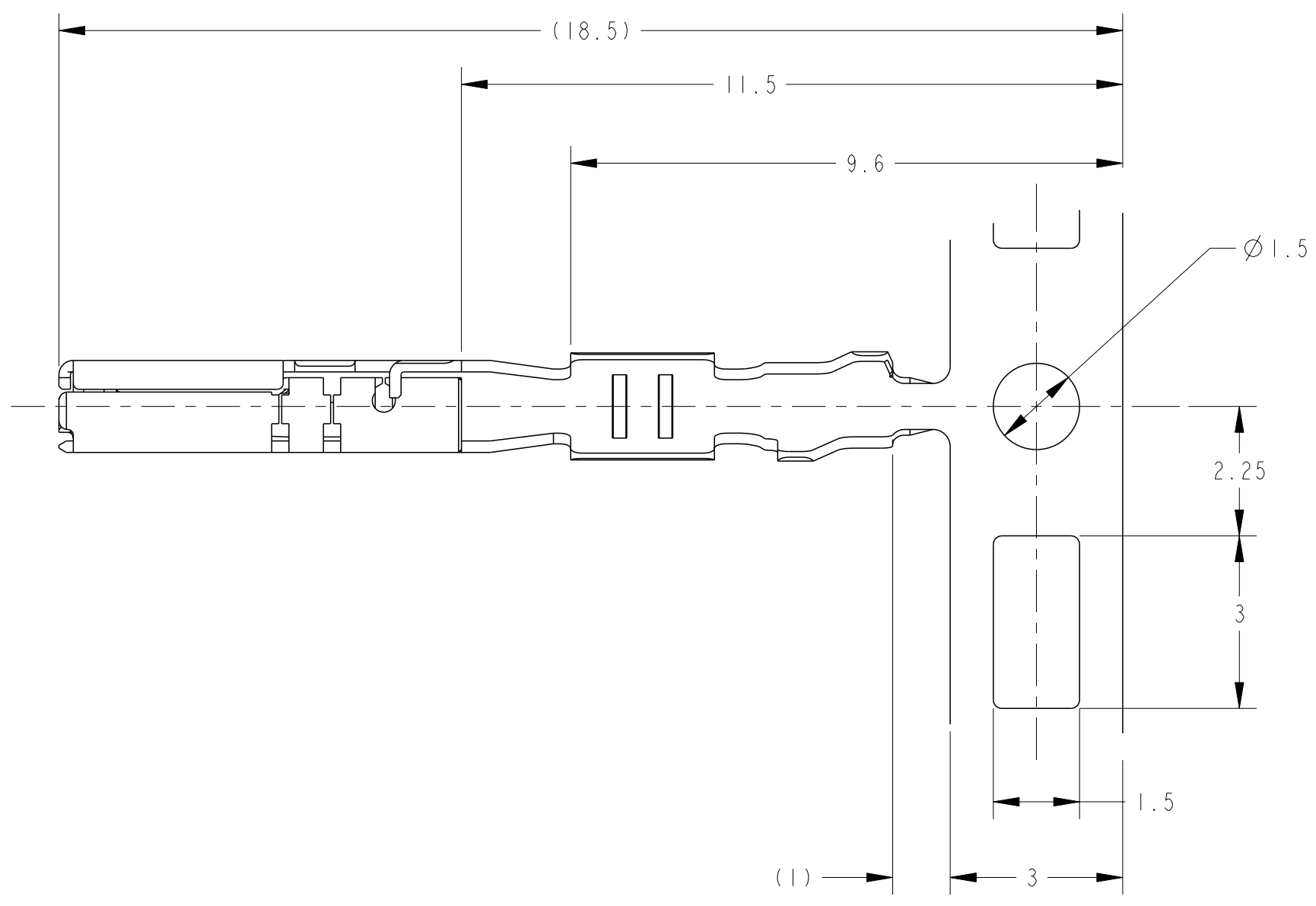
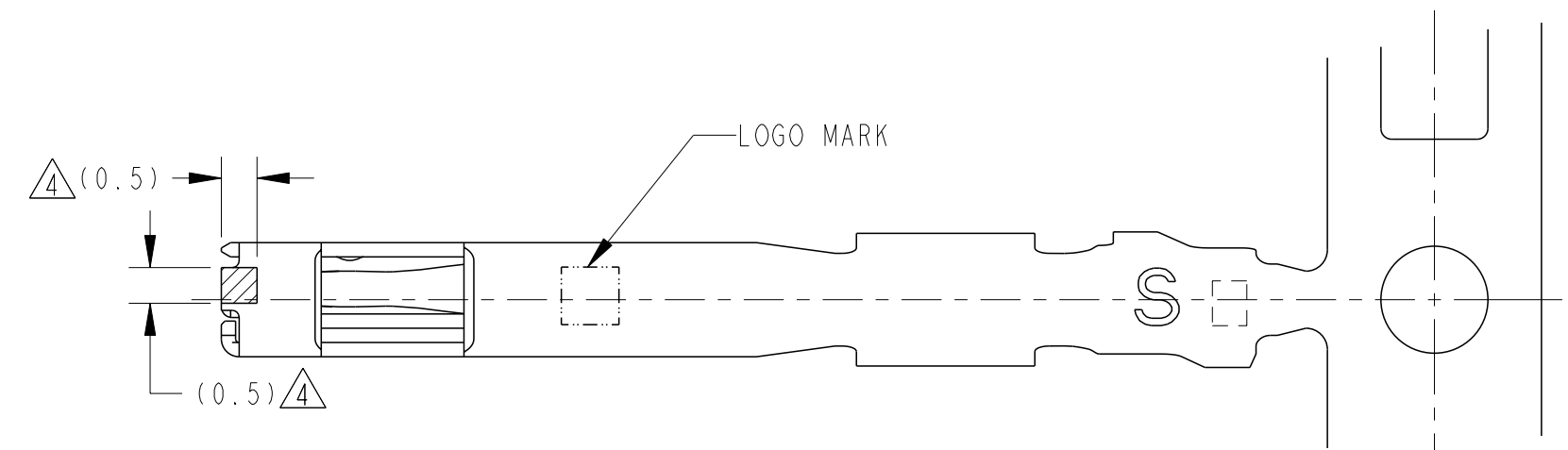
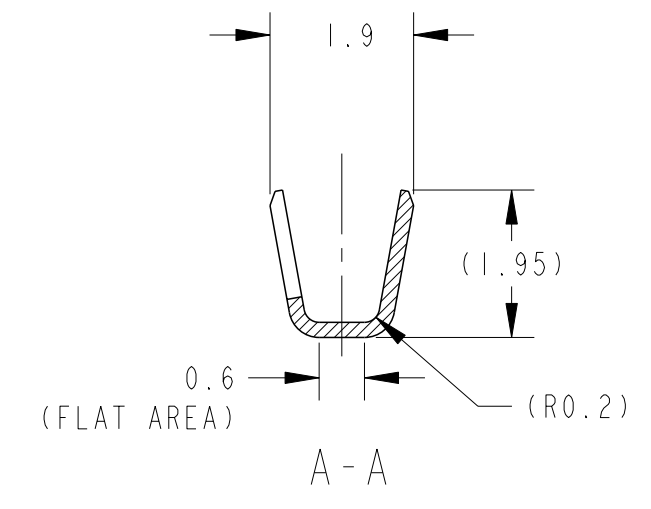
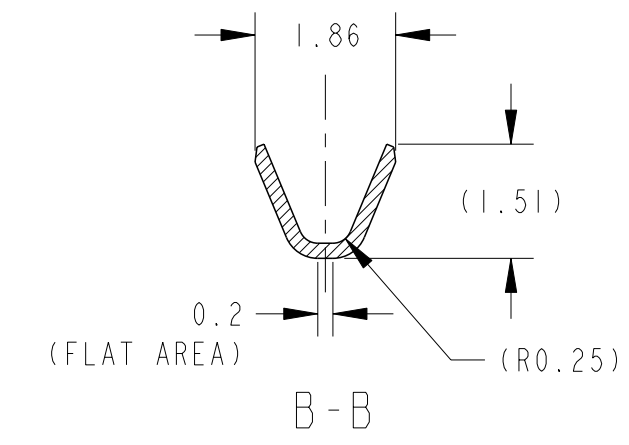
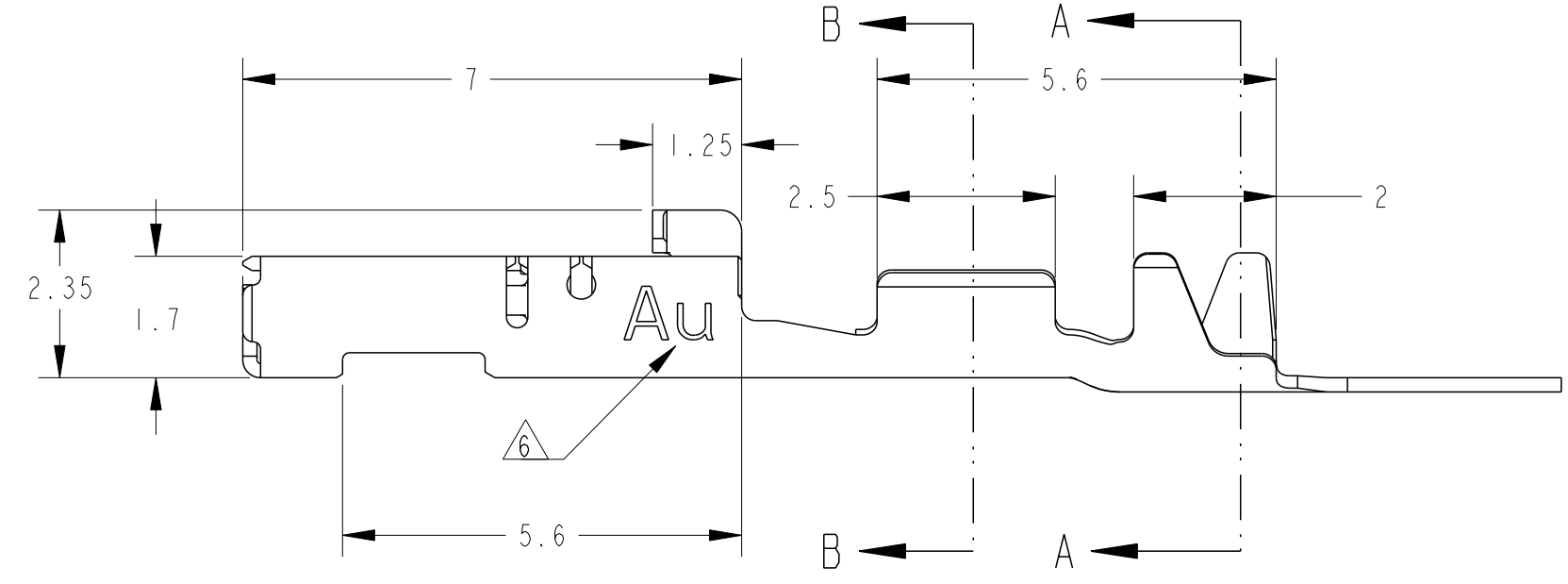
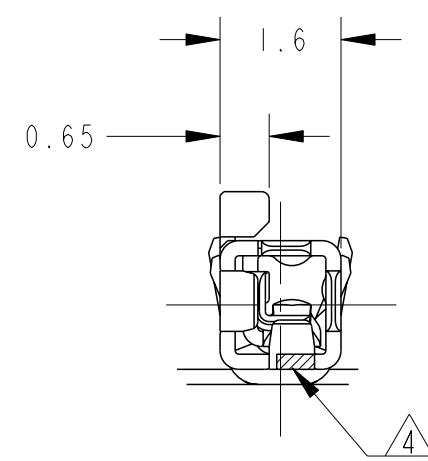


THIS DRAWING IS UNPUBLISHED. RELEASED FOR PUBLICATION 2015
 © COPYRIGHT 2015 ALL RIGHTS RESERVED.

LOC		DIST		REVISIONS			
P	LTR	DESCRIPTION	DATE	DWN	APVD		
	O	RELEASED	FJA0-0576-04	24AUG04	YM	HY	
	A	REIVSED	ECR-10-005857	26APR10	SF	KB	
	B	REIVSED	ECR-15-013494	18SEP15	KK	RK	



1. 適用電線:
CAVS/CAVUS/CHFUS 0.22mm²
2. 圧着作業については、以下の規格を参照すること
取付適用規格; 114-5329
3. アプリケータ送りピッチ; 8mm
- △ 寸法は識別用金めっき範囲を表す
△ 接触部: 金めっき、バレル部: すずめっき
△ 識別用刻印
1. APPLICABLE WIRE RANGE ;
CAVS/CAVUS/CHFUS 0.22mm²
2. MUST BE REFERRED TO THE FOLLOWING DOCUMENTS FOR CRIMPING OPERATION
APPLICATION SPEC ; 114-5329
3. APPLICATOR FEED; 8mm
- △. GOLD PLATED AREA FOR DISCRIMINATION
△. CONTACT POINT; GOLD PLATING
BARREL; TIN PLATING
△. MARKING FOR IDENTIFICATION.



△4△5△6 SELECTIVE GOLD, TIN	1674936-2
PRE-TIN	1674936-1
FINISH	PART NO.

THIS DRAWING IS A CONTROLLED DOCUMENT.		DWN	Y. MITO	24AUG04
DIMENSIONS: 単位: ㎜		CHK	H. YAMAGAMI	24AUG04
TOLERANCES UNLESS OTHERWISE SPECIFIED:		APVD	S. ISOHATA	24AUG04
一般公差 ±0.3		PRODUCT SPEC		
0-PLC ±0.5		APPLICATION SPEC		
1-PLC ±0.13		取付適用規格		
2-PLC ±0.013		114-5329		
3-PLC ±0.001		WEIGHT		
4-PLC ±0.001		0.14 g		
ANGLES ±3°00'		CUSTOMER DRAWING		
FINISH 仕上		SCALE 10:1		
SEE TABLE		SHEET 1 OF 1		
		REV B		

STE TE Connectivity

NAME 0.64111 SERIES CONNECTOR RECEPTACLE CONTACT (S)

SIZE	CAGE CODE	DRAWING NO	RESTRICTED TO
A2	00779	C-1674936	