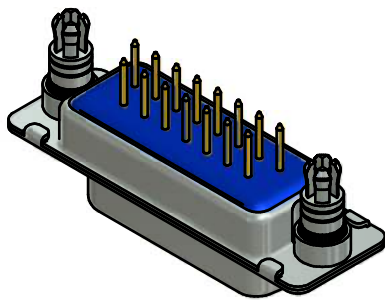
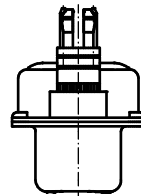
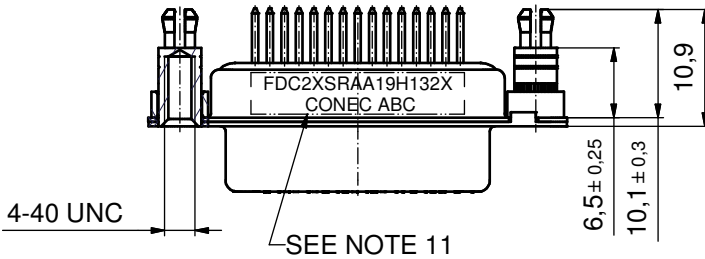
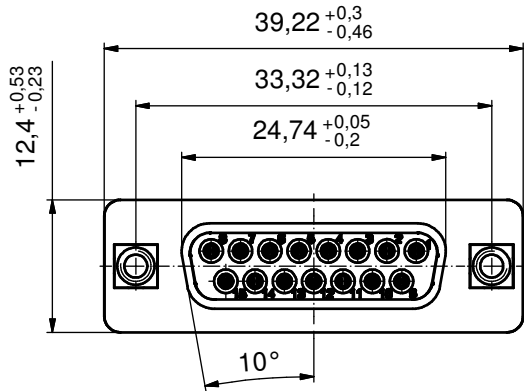
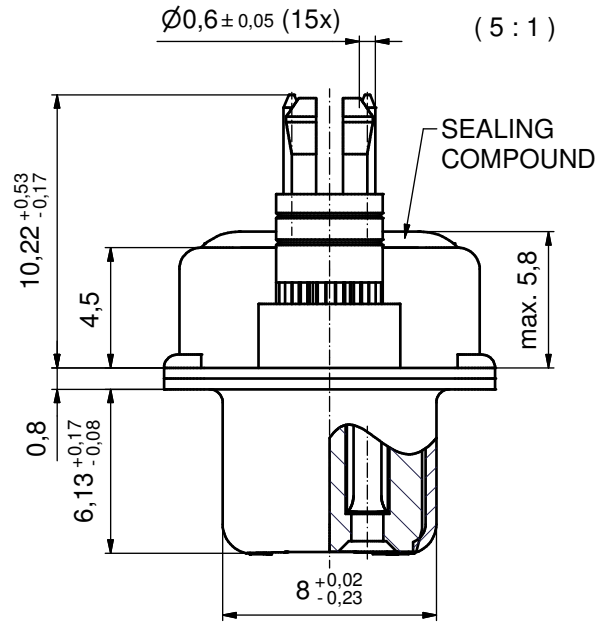
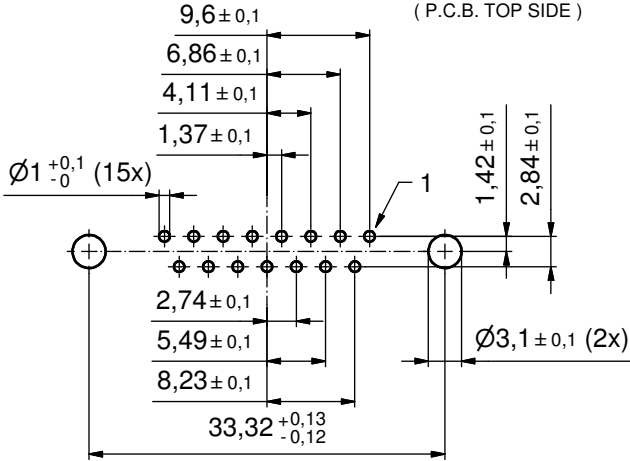


**P.C.B. HOLE DRILLINGS**  
( P.C.B. TOP SIDE )



Directive 2002/95/EC  
"RoHS"  
Compliant

**NOTES:**

1. RoHS COMPLIANT
2. FOR WAVESOLDERING (SOLDER BATH TEMPERATURE 260 °C FOR 5 SEC. AND SOLDER PREHEAT 100 °C FOR 30 SEC.)
3. METALHELLS: STEEL; min. 315µm TIN over 40-80µm NICKEL
4. INSULATOR: HIGH TEMPERATURE PLASTIC UL 94 V-0; BLACK
5. CONTACTS: COPPER ALLOY  
PLATING: GOLD FLASH over NICKEL
6. THREADED SPACER CLIPS: COPPER ALLOY; min. 200µm TIN over 80µm NICKEL  
PCB-HOLE: ø3,1±0,1; PCB-THICKNESS 2,3mm
7. COLLARS: COPPER ALLOY; min. 200µm TIN over 80µm NICKEL
8. SEALING COMPOUND: PUR; BLUE
9. CAPACITANCE: 1300pF ± 20%
10. DIELECTRIC WITHSTANDING VOLTAGE: 707 VDC
11. CONNECTOR IS PART MARKED: FDC2XSRAA19H132X CONEC ABC

APPROVAL # FREIGABE # DEBLOCAGE # AUTORIZACION # APPROVAL	
CUSTOMER APPROVAL DATE:	
NAME:	TITLE:
COMPANY NAME:	
APPROVAL # FREIGABE # DEBLOCAGE # AUTORIZACION # APPROVAL	

THIS DRAWING MAY NOT BE COPIED OR REPRODUCED IN ANY WAY, AND MAY NOT BE PASSED ON TO A THIRD PARTY WITHOUT WRITTEN PERMISSION. OWNERSHIP AND COPYRIGHT OF CONEC GmbH

DO NOT ALTER CAD DRAWING BY HAND		tolerance		scale:	2:1 (5:1)
		date	dim. in mm	material:	SEE NOTES
		name		title:	
		drawn		D-SUB C-FILTER FEMALE	
		appd.		15pos. SOLDER PIN STRAIGHT	
		norm		with threaded spacer clip	
		d-old		dwg no:	Inventor
a	Origin			24K1A1282	
rev.	description	date	name	DIN-A3	sh: 1
				part no:	FDC2XSRAA19H132X