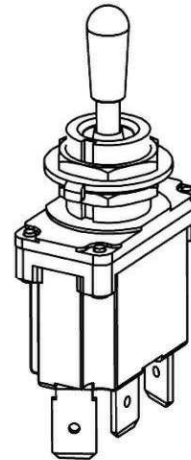
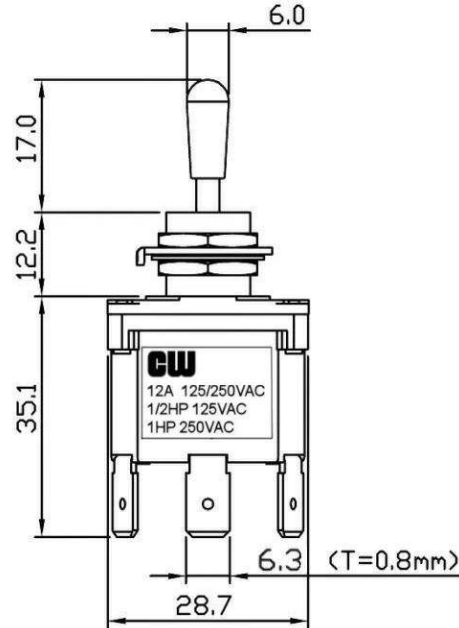
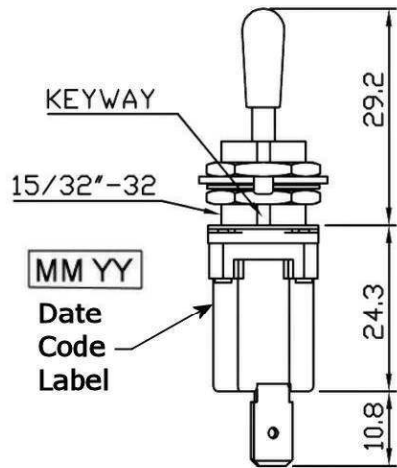
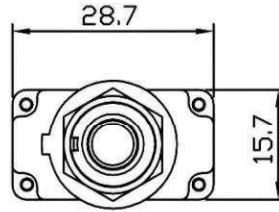
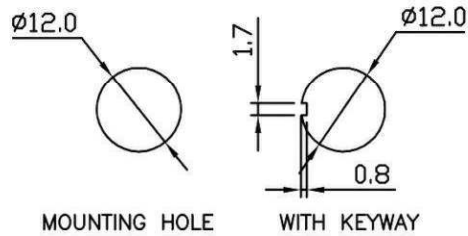


**SPECIFICATION:**

**Contact resistance: 20m ohm max. (initial)**  
**Insulation resistance: 100M ohm min. (at 500V DC)**  
**Dielectric strength: 1,500V AC 50/60 Hz for 1 minute**  
**Service life: Mechanically: 100,000 operations min.**  
**Electrically: 30,000 operations min.**  
**Rating: 12A 125V AC / 250V AC**  
**1/2 HP 125VAC / 1HP 250VAC / 5A 125VAC "L"**  
**Function: ON - OFF - ON SPDT**  
**Actuator: Brass with Dull Nickle Plated**  
**Waterproof rating: IP68**



RoHS Compliant

**CW INDUSTRIES**  
 Southampton, Pa. 18966  
 Tel 215.355.7080/www.cwind.com

Date Drawn: 3-23-12

Rev. 0

Unit: mm

Checked By: *G. Gold*

Title:  
**TOGGLE SWITCH**

CW P/N:  
**GTB1B11**