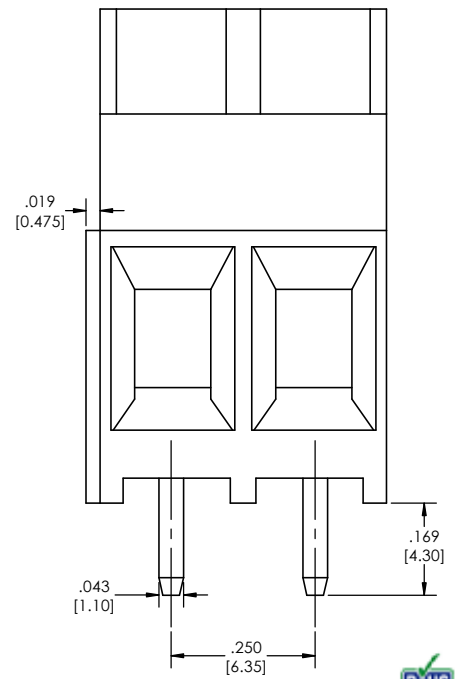
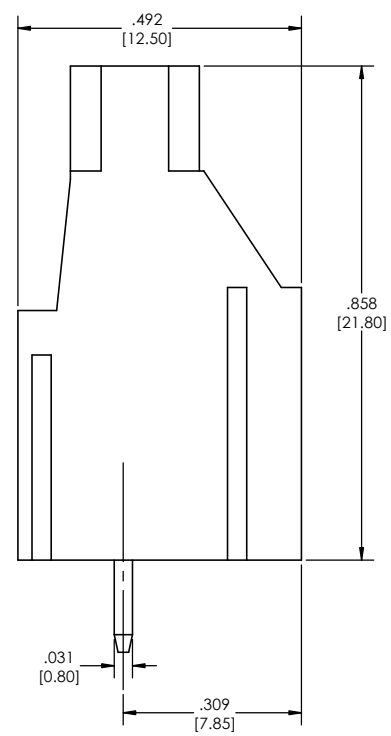
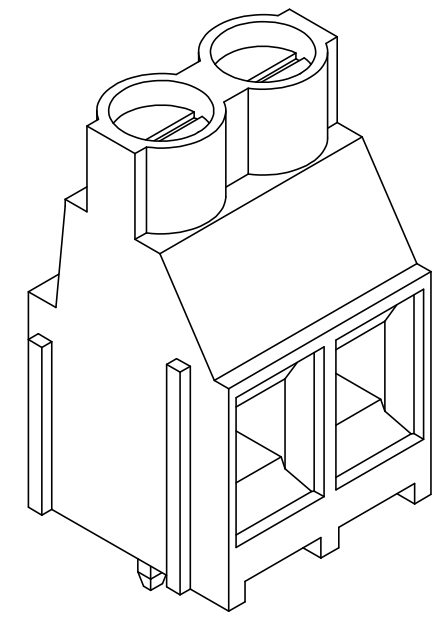
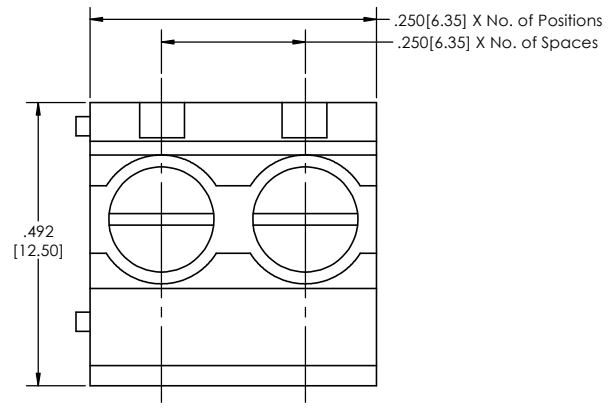
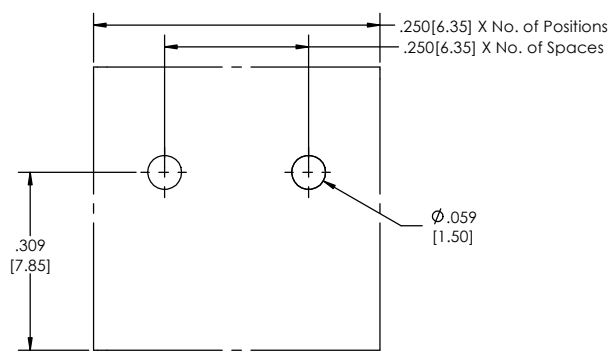


Recommended P.C. Board Layout
SCALE 6:1



TBR - 06 - **250** - **XX** - **XX** - **LF**
(A) (B) (C) (D)

- A. Pitch
- 250= .250(6.35) cl
- B. No. of Positions
- 02-24
- C. Color
- GR= Green (Standard)
- BK= Black
- BL= Blue
- WH= White
- GY= Grey
- OR= Orange
- YW= Yellow
- RD= Red
- BR= Brown
- D. Lead Free
- Specifications:
Current Rating: 20 Ampere
Voltage Rating: AC 250V
Wire Range: 10-24 AWG
Insulation Resistance: DC 500V 500M ohms
Dielectric Withstanding Voltage: AC 2500V/1 minute
Operation Temperature: -33°C to +105°C
Max Torque: 3.47 lb-in (4.0kgf. cm)
Strip Length: .236- .354 (6-9mm)
- Materials:
1. Body: PA66 (Nylon), UL94 V-0
2. Screw: M3.0, C1018 Steel, Zinc Plated
3. Terminal: H62, HV110-130, Tin Plated
4. Contact: H65, HV110-135, Nickel Plated

Tails may be clipped to achieve specific dimensions.
Products cut to specific sizes are uncancelable/ nonreturnable.
Parts are subject to change without notice.



PROPRIETARY AND CONFIDENTIAL
THE INFORMATION CONTAINED IN THIS DRAWING IS THE SOLE PROPERTY OF Major League Electronics. ANY REPRODUCTION IN PART OR AS A WHOLE WITHOUT THE WRITTEN PERMISSION OF Major League Electronics IS PROHIBITED.

UNLESS OTHERWISE SPECIFIED:		NAME		DATE			TITLE: TBR-06-250 Series	
DIMENSIONS ARE IN INCHES		DRAWN: EOW		04/21/14			2533 Centennial Blvd. Jeffersonville, IN 47130 Phone: 812-670-4174 Fax: 812-670-4175 E-Mail: mle@mlelectronics.com	
TOLERANCES: ONE DECIMALS ±.100 TWO DECIMAL ±.010 THREE DECIMAL ±.005 FOUR DECIMAL ±.002		CHECKED: GWE		04/21/14			SIZE DWG. NO.	
NEXT ASSY USED ON		ENG APPR:		MFG APPR:			SCALE 6:1	
APPLICATION		DO NOT SCALE DRAWING		FINISH		REV A		
						SHEET 1 OF 1		