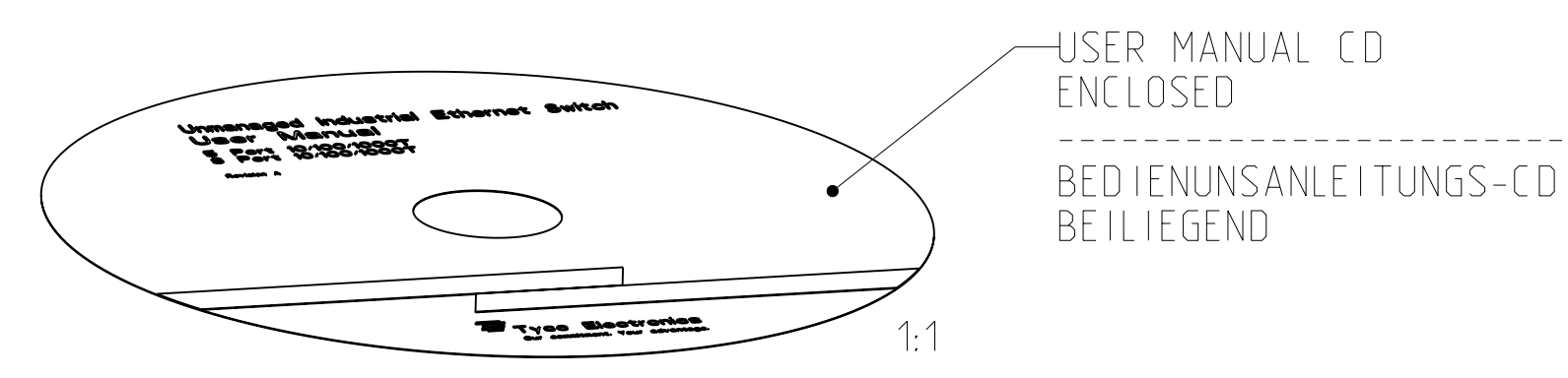
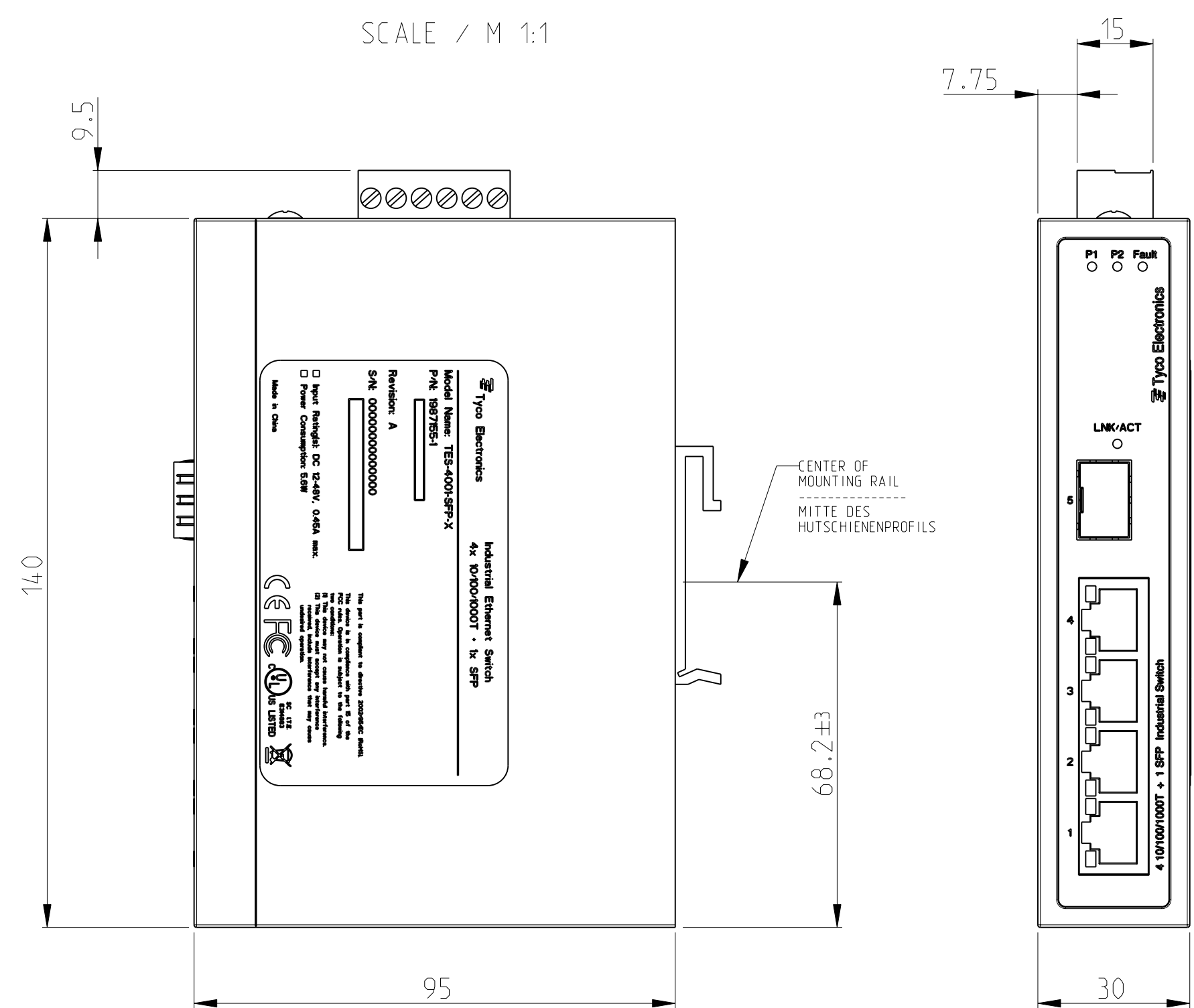


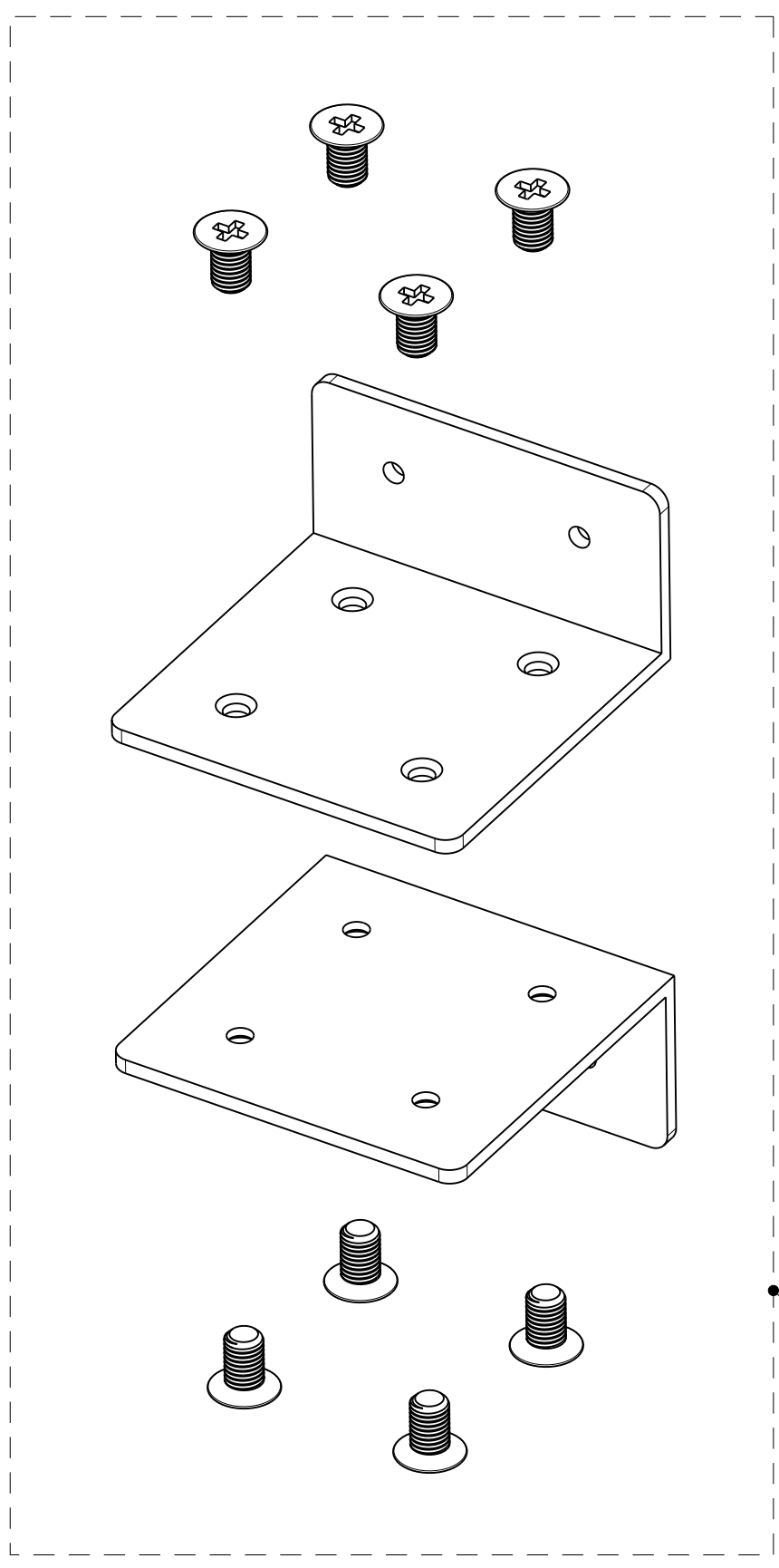
LOC	DIST	REV	DATE	BY	APPD
A1	-	P	12SEP2007	STO	R.K.
PROJECT NO. EG00007113		A1	NEW DRAWING PUBLISHED	12SEP2007	STO
		A2	REV. PER PCN E-07-027662	16NOV2007	STO
		A3	REV. PER PCN E-08-009570	23APR2008	STO

1987155-1 AS SHOWN

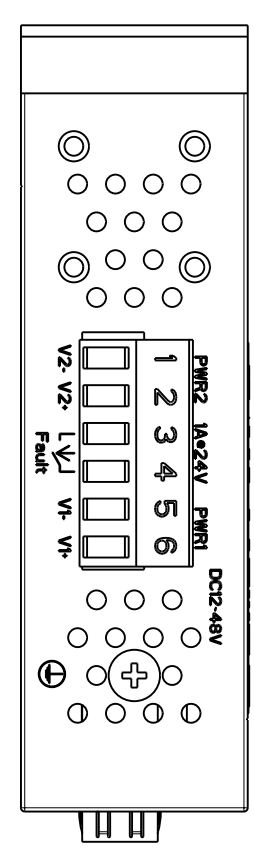
SCALE / M 1:1



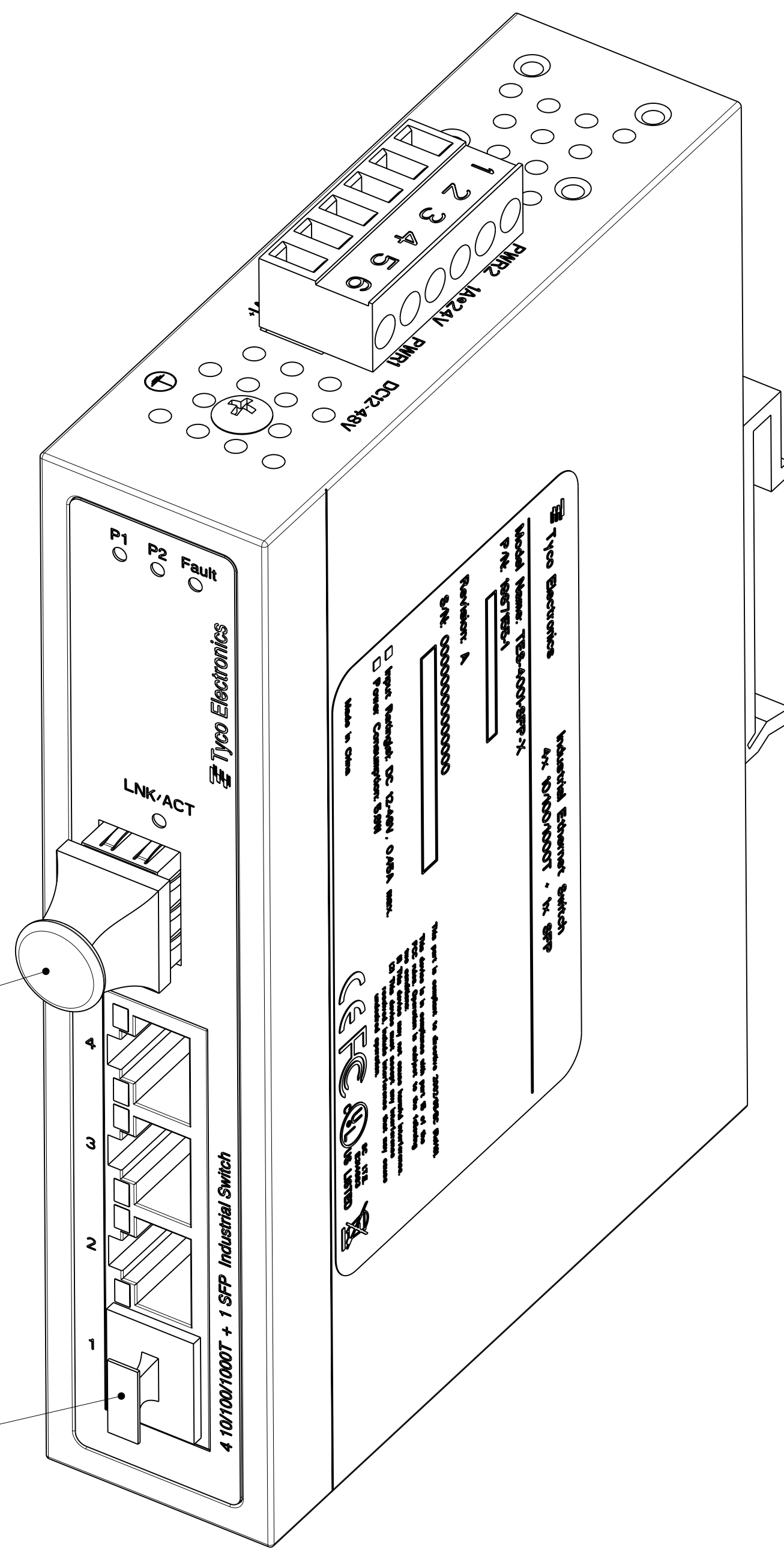
HARDWARE SPECIFICATION		• DEPENDS ON USED SFP TRANSCEIVER
1	ETHERNET STANDARD COMPLIANCE	IEEE 802.3 - 10BASE-T IEEE 802.3u - 100BASE-TX IEEE 802.3ab - 1000BASE-T IEEE 802.3z - 1000BASE-SX/LX IEEE 802.3x - FLOW CONTROL AND BACK PRESSURE
2	SWITCH ARCHITECTURE	STORE-AND-FORWARD SWITCHING ARCHITECTURE BACK-PLANE (SWITCHING FABRIC): 10Gbps PACKET THROUGHPUT ABILITY (FULL DUPLEX): 14.88Mpps @ 64bytes
3	TRANSFER RATE	10BASE-T PORT: 14.880pps 100BASE-TX/FX PORT: 14.880pps 1000BASE-T/SX/LX PORT: 1.488.000pps
4	MAC ADDRESS	8K MAC ADDRESS TABLE
5	ETHERNET PORTS	- 4x 10/100/1000T RJ-45 WITH AUTO MDI/MDI-X SUPPORT - MINI GBIC: 1x SFP SOCKET FOR GIGABIT TRANSCEIVER MODULE
6	LED	PER UNIT: POWER 1 (GREEN), POWER 2 (GREEN), FAULT (RED) PER PORT: LINK/ACTIVITY (GREEN), SPEED (GREEN) SFP: LINK/ACTIVITY (GREEN)
7	POWER SUPPLY	WIDE RANGE SUPPLY: 12 TO 48 V DC REVERSE POLARITY PROTECTED OVERLOAD CURRENT PROTECTED (RE-SETTABLE FUSE)
8	POWER CONSUMPTION	5.6 WATTS



W ALL MOUNTING KIT ENCLOSED
 W ANDMONTAGE-BAUSATZ BEILIEGEND

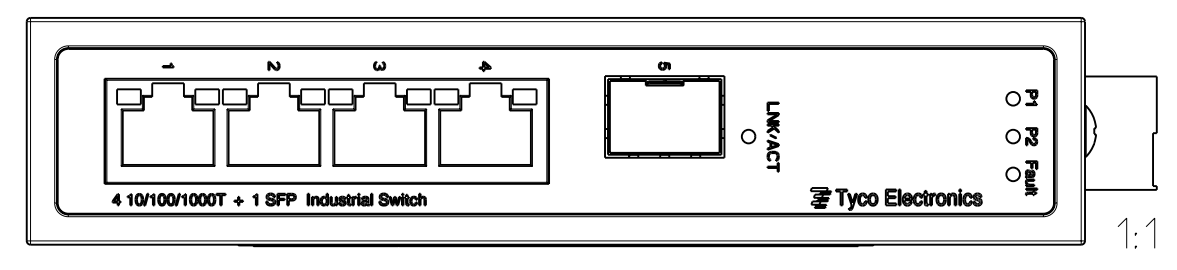


DUST COVER FOR SFP PORT
 1 x ENCLOSED
 STAUBSCHUTZKAPPE FÜR SFP EINGANG
 1 x BEILIEGEND

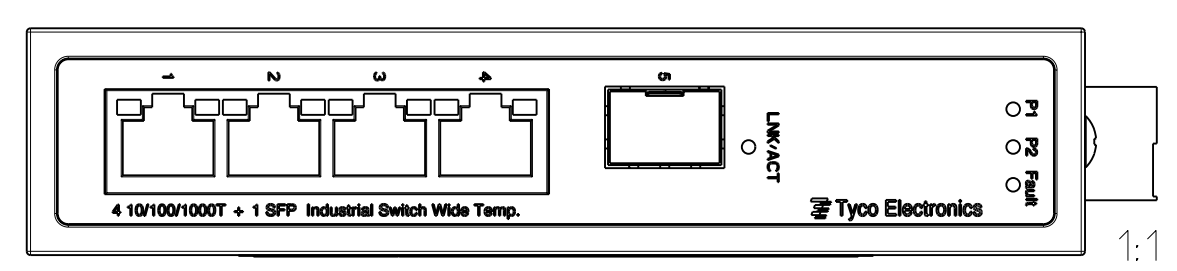


1987155-1 AS SHOWN

FRONT PANEL 1987155-1



FRONT PANEL 1987155-2



TYCO ELECTRONICS ORDER NO. BESTELL-NR.		
1987155-2	1987155-1	
1	2	4 10/100/1000T + 1 SFP SWITCH TES-4001-SFP-XE WIDE OPERATING TEMPERATURE RANGE -40 °C TO 75 °C
-	1	4 10/100/1000T + 1 SFP SWITCH TES-4001-SFP-X STANDARD OPERATING TEMPERATURE RANGE -10 °C TO 60 °C
QUANTITY STÜCK	ITEM NO. POS.	DESCRIPTION BENENNUNG

DIMENSIONS		TOLERANCES UNLESS OTHERWISE SPECIFIED		TYCO ELECTRONICS	
MASSENEIEN (mm)		0 PLC	±1	DWN	S. STOLZ 12SEP2007
		1 PLC	±1	CHK	B. BERGNER 12SEP2007
		2 PLC	±1	APPD	P. KRAEMER 12SEP2007
		3 PLC	±1	NAME	INDUSTRIAL ETHERNET SWITCH
		4 PLC	±1	PRODUCT SPEC	TES-4001-SFP-X(E)
		5 PLC	±1	PRODUCT SPEC	4x 10/100/1000T + 1x SFP
		6 PLC	±1	APPLICATION SPEC	
		7 PLC	±1	VERARBEITUNGSSPEZ.	
MATERIAL		ANGLE SLOTT	±0.2°	SIZE	CAGE CODE
		FINISH/BELEG/FARBE		00779	1987155
				WEIGHT	440 g
				CUSTOMER DRAWING	/KUNDENZEICHNUNG
				SCALE	2:1
				SHEET	1 OF 1
				REV	A3