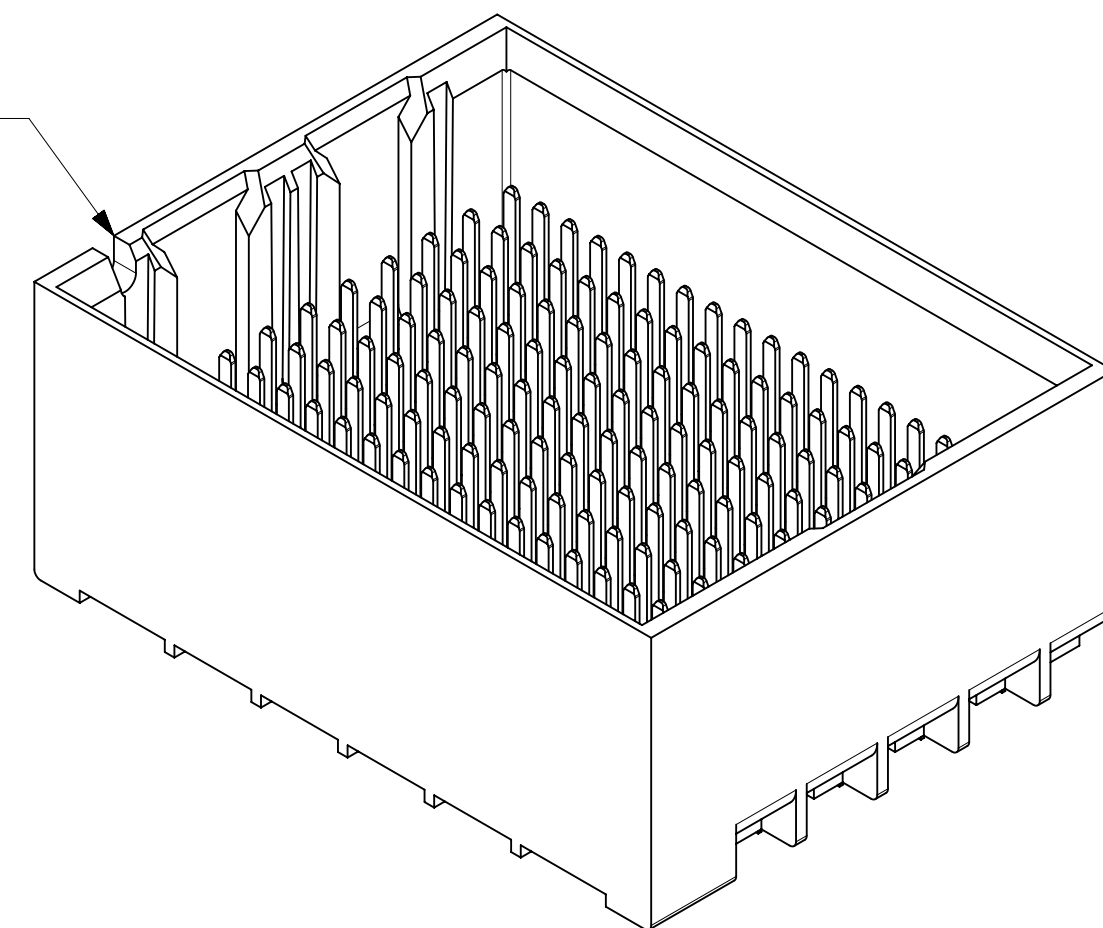


NOTCH DESIGNATES ROW A

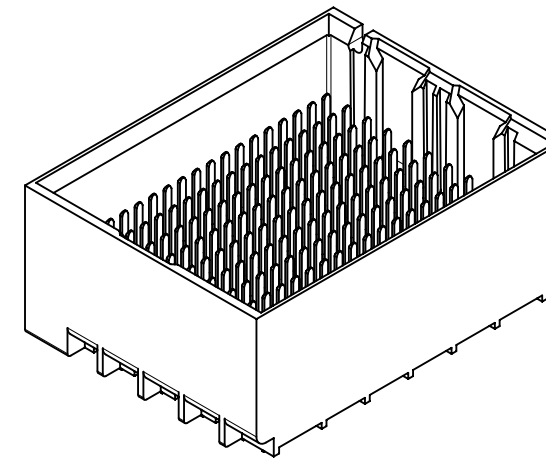


- NOTES:
- MATERIALS: HOUSING - LIQUID CRYSTAL POLYMER (LCP) GLASS-FILLED, UL94V-0  
TERMINALS - HIGH PERFORMANCE COPPER ALLOY
  - FINISH: 30μ MIN GOLD IN CONTACT AREA.  
SELECTIVE TIN ON PCB TAILS.  
NICKEL OVERALL.
  - REFER TO MOLEX PRODUCT SPECIFICATION PS-76060-999 FOR PERFORMANCE SPECIFICATIONS AND ADDITIONAL PCB INFORMATION.
  - THIS PART CONFORMS TO CLASS B REQUIREMENTS OF MOLEX COSMETIC SPEC PS-45499-002.
  - PARTS PACKAGED PER PK-70873-7703.
  - SEE SHEETS 2 & 3 FOR PART NUMBERS AND BOARD RELATIONSHIPS.
  - MATES WITH IMPACT DC SERIES NO. 76150.
  - REFER TO MOLEX PCB ROUTING GUIDE AS-76060-990 FOR ANTIPAD AND ROUTING RECOMMENDATIONS.
  - "THESE DIMENSIONS REPRESENT THE AREA NEEDED TO ACCOMMODATE CONNECTOR INSERTION AND REPAIR ON THE PC BOARD. THIS IS REFERRED TO AS THE "CONNECTOR KEEP OUT ZONE" AND DOES NOT REPRESENT THE ACTUAL PERIMETER OF THE CONNECTOR. WHEN LAYING OUT A PC BOARD FOR CONNECTORS STACK TOGETHER, USE A 1.9mm PROGRESSION."

THIS DRAWING CONTAINS INFORMATION THAT IS PROPRIETARY TO MOLEX ELECTRONIC TECHNOLOGIES, LLC AND SHOULD NOT BE USED WITHOUT WRITTEN PERMISSION											
MIGRATED TO NX EC NO: 167486 DRWN: NVELUSAMY CHKD: CD REV / APPR: GGA	GENERAL TOLERANCES (UNLESS SPECIFIED)		DIMENSION UNITS	SCALE							
	ANGULAR TOL ± 0.5 °		MM	4:1							
	4 PLACES ±	MSANDBERG	DATE	2007/12/26							
	3 PLACES ±	CHKD BY	DATE	JLAURX 2007/12/26							
2 PLACES ± 0.13	APPR BY	DATE	JLAURX 2010/02/22	PRODUCT CUSTOMER DRAWING			SERIES	MATERIAL NUMBER	CUSTOMER		
1 PLACE ± 0.25	DRAWING SIZE		THIRD ANGLE PROJECTION	76145	SEE TABLE	GENERAL MARKET	DOCUMENT NUMBER	DOC TYPE	DOC PART	SHEET NUMBER	
0 PLACES ±	C			SD-76145-001	PSD	001	1 OF 3				
DRAFT WHERE APPLICABLE MUST REMAIN WITHIN DIMENSIONS											

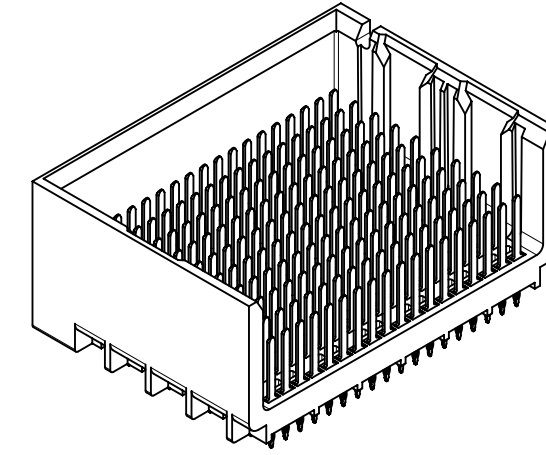
# PART NUMBER CHART

MATERIAL NUMBER	# OF COLUMNS	# OF DIFF PAIR	DIM 'A'	DIM 'B'	DUAL END WALL OPTION
76145-*12*	10	60	21.7	17.10	
76145-*72*	14	84	29.3	24.70	
76145-*62*	16	96	33.1	28.50	



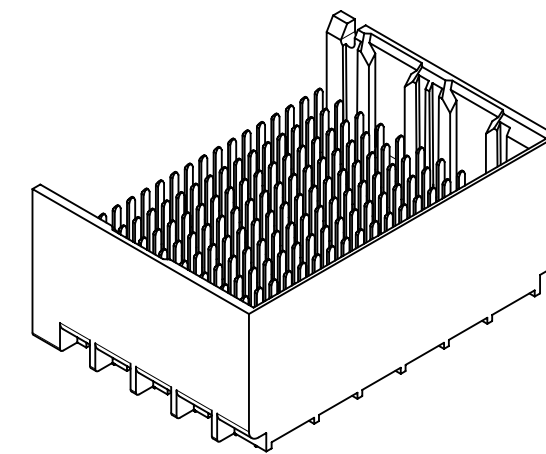
DUAL END  
WALL OPTION

MATERIAL NUMBER	# OF COLUMNS	# OF DIFF PAIR	DIM 'A'	DIM 'B'	LEFT END WALL OPTION
76145-*11*	10	60	20.3	17.10	
76145-*71*	14	84	27.9	24.70	
76145-*61*	16	96	31.7	28.50	



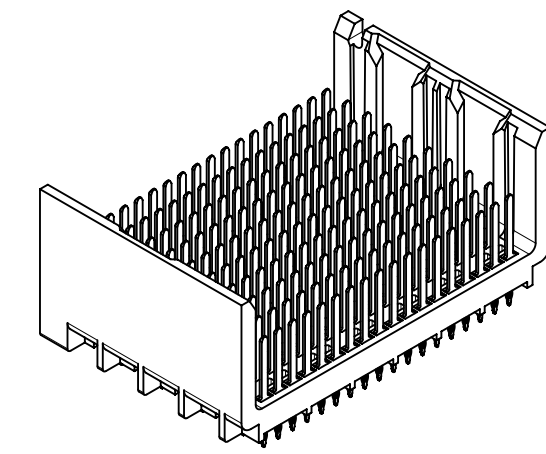
LEFT END  
WALL OPTION

MATERIAL NUMBER	# OF COLUMNS	# OF DIFF PAIR	DIM 'A'	DIM 'B'	RIGHT END WALL OPTION
76145-*13*	10	60	20.3	17.10	
76145-*73*	14	84	27.9	24.70	
76145-*63*	16	96	31.7	28.50	



RIGHT END  
WALL OPTION

MATERIAL NUMBER	# OF COLUMNS	# OF DIFF PAIR	DIM 'A'	DIM 'B'	OPEN WALL OPTION
76145-*10*	10	60	18.9	17.10	
76145-*70*	14	84	26.5	24.70	
76145-*60*	16	96	30.3	28.50	



OPEN  
WALL OPTION

## PART NUMBER LOGIC

76145 - \*\*\*\*\*

MODULE TYPE  
1 = UNGUIDED, TIN

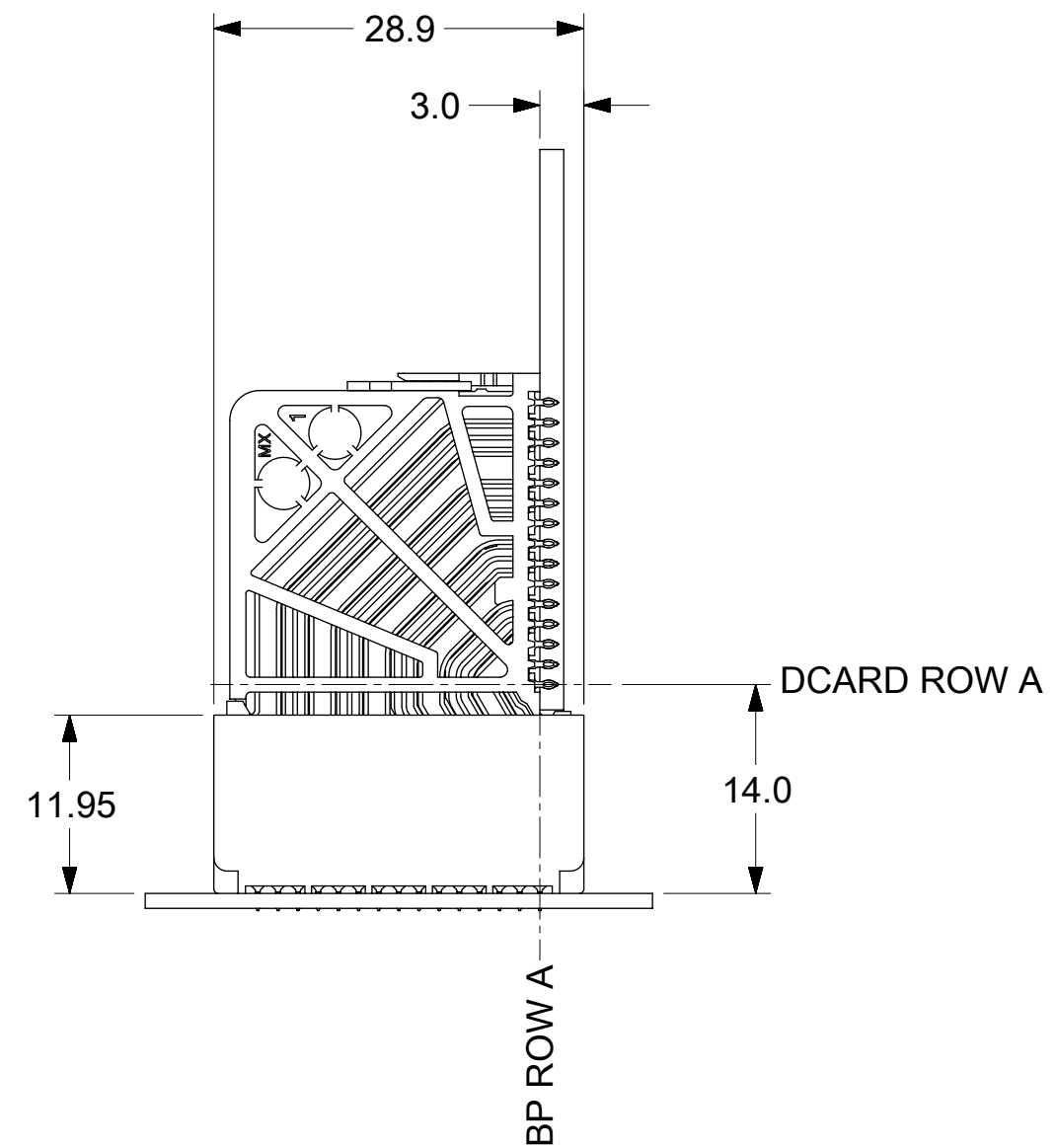
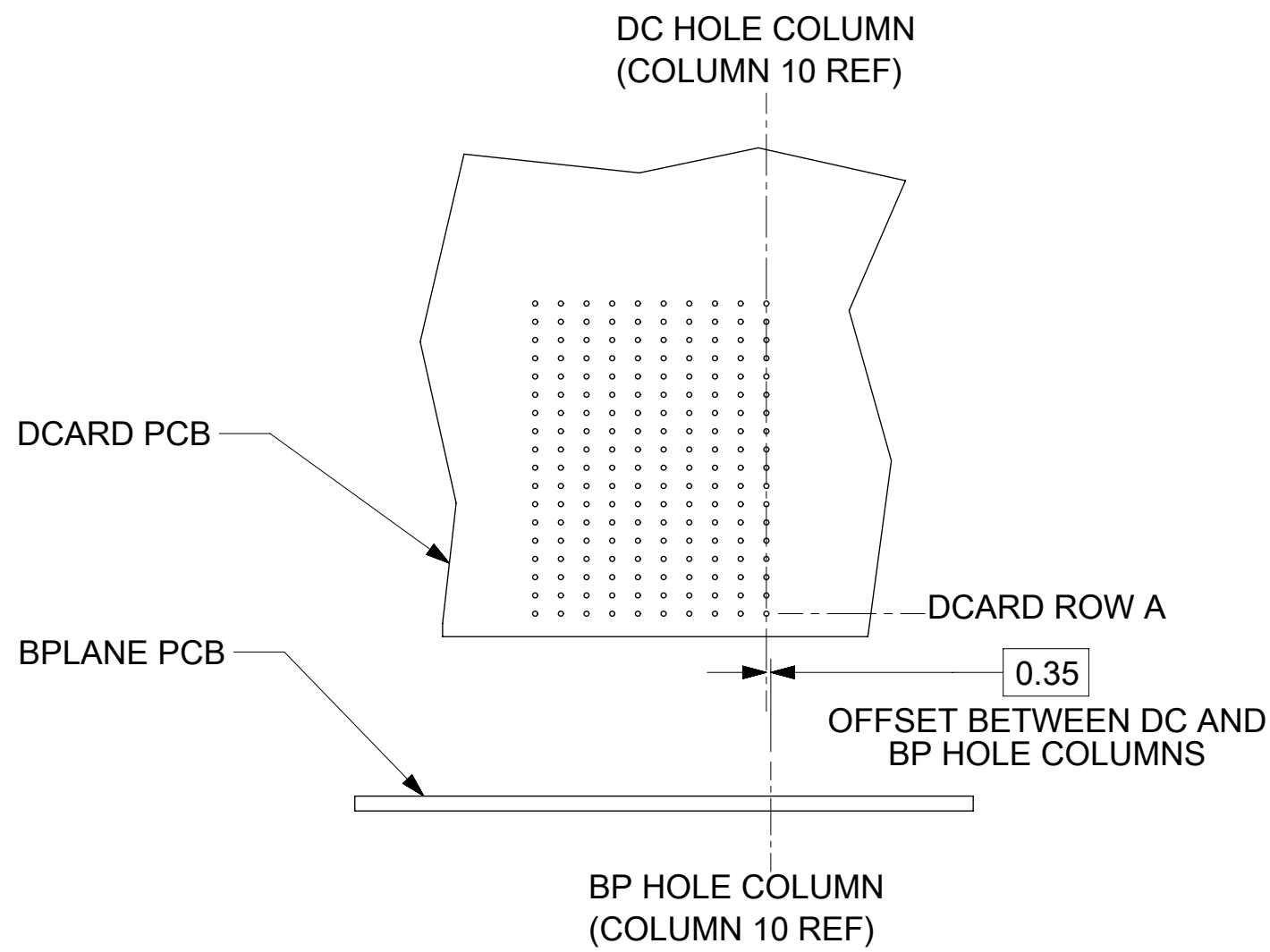
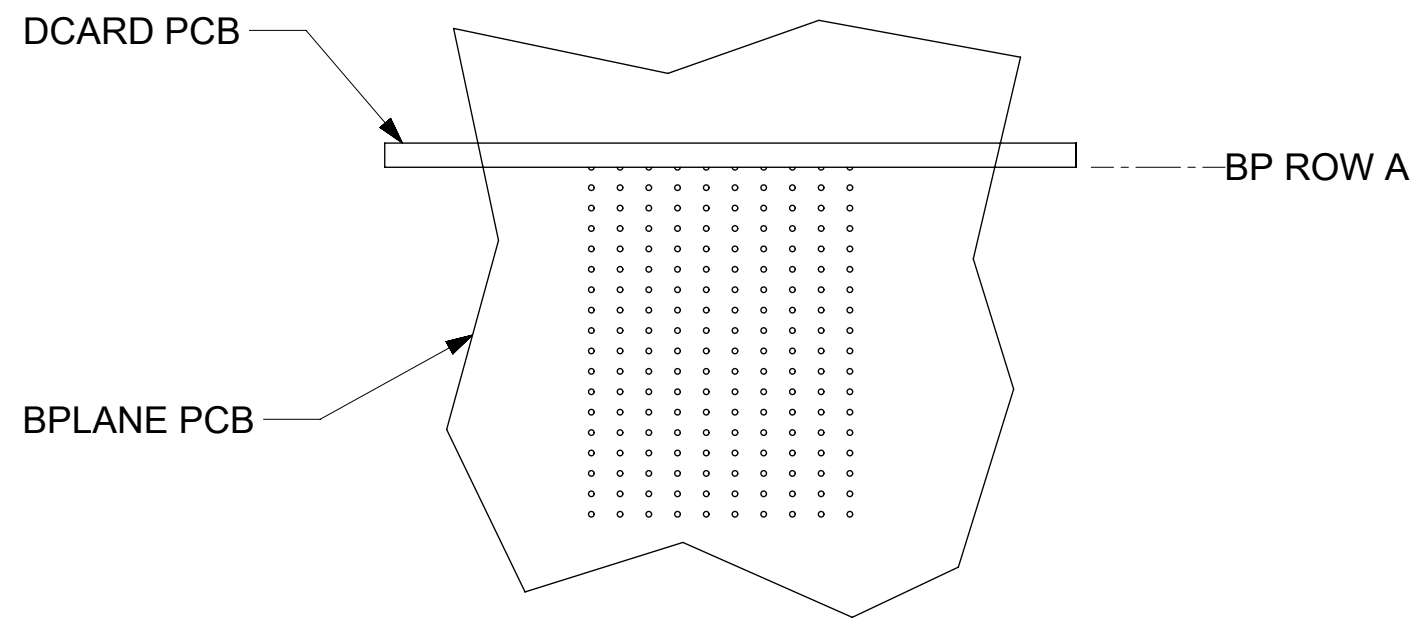
# OF COLUMNS  
1 = 10 COLUMN  
6 = 16 COLUMN  
7 = 14 COLUMN

PIN LENGTH (P)  
3 = 4.50 (SHORT COMPLIANT, 0.46±0.05 PTH)  
4 = 4.90 (SHORT COMPLIANT, 0.46±0.05 PTH)  
5 = 5.50 (SHORT COMPLIANT, 0.46±0.05 PTH)  
6 = 4.50 (MICRO COMPLIANT, 0.39±0.05 PTH)  
7 = 4.90 (MICRO COMPLIANT, 0.39±0.05 PTH)  
8 = 5.50 (MICRO COMPLIANT, 0.39±0.05 PTH)

END WALL OPTIONS  
0 = OPEN ENDS  
1 = LEFT END WALL  
2 = DUAL END WALL  
3 = RIGHT END WALL

THIS DRAWING CONTAINS INFORMATION THAT IS PROPRIETARY TO MOLEX ELECTRONIC TECHNOLOGIES, LLC AND SHOULD NOT BE USED WITHOUT WRITTEN PERMISSION											
MIGRATED TO NX EC NO: 167486 DRWN: NVELUSAMY CHKD: CD REV: APPR: GGA	2017/10/30	2017/10/31	2017/11/02	GENERAL TOLERANCES (UNLESS SPECIFIED)		DIMENSION UNITS	SCALE				
	ANGULAR TOL ± 0.5 °		MM	2:1							
	4 PLACES ±	3 PLACES ±	2 PLACES ± 0.13	1 PLACE ± 0.25	0 PLACES ±	DRWN BY	DATE	IMPACT 6 PAIR HEADER UNGUIDED ASSEMBLY SALES DRAWING			
	MSANDBERG		2007/12/26								
	JLAURX		2007/12/26		PRODUCT CUSTOMER DRAWING						
	JLAURX		2010/02/22		SERIES	MATERIAL NUMBER	CUSTOMER	GENERAL MARKET			
DRAFT WHERE APPLICABLE MUST REMAIN WITHIN DIMENSIONS		DRAWING SIZE	THIRD ANGLE PROJECTION	76145	SEE TABLE	GENERAL MARKET	DOCUMENT NUMBER SD-76145-001 DOC TYPE PSD DOC PART 001 SHEET NUMBER 2 OF 3				

IMPACT 6 PAIR  
BOARD RELATIONSHIPS



THIS DRAWING CONTAINS INFORMATION THAT IS PROPRIETARY TO MOLEX ELECTRONIC TECHNOLOGIES, LLC AND SHOULD NOT BE USED WITHOUT WRITTEN PERMISSION

MIGRATED TO NX EC NO: 167466 DRWN: NVELUSAMY CHKD: CD REV / APPR: GGA	2017/10/30	2017/10/31	2017/11/02	GENERAL TOLERANCES (UNLESS SPECIFIED)	DIMENSION UNITS	SCALE		
					MM	2:1		
					ANGULAR TOL ± 0.5 °	DRWN BY		DATE
					4 PLACES ±	MSANDBERG		2007/12/26
					3 PLACES ±	CHKD BY		DATE
			2 PLACES ± 0.13	JLAURX	2007/12/26			
			1 PLACE ± 0.25	APPR BY	DATE	PRODUCT CUSTOMER DRAWING SERIES: 76145 MATERIAL NUMBER: SEE TABLE CUSTOMER: GENERAL MARKET DOCUMENT NUMBER: SD-76145-001 DOC TYPE: PSD DOC PART: 001 SHEET NUMBER: 3 OF 3		
			0 PLACES ±	JLAURX	2010/02/22			
			DRAFT WHERE APPLICABLE MUST REMAIN WITHIN DIMENSIONS	DRAWING SIZE	THIRD ANGLE PROJECTION			
			C					
			G3					