



Sensors > Temperature Sensors > NTC Thermistors Sensors & Probes > NTC Probes



Sensor Type: **Air/Gas**

Sensor Connector Type: **Open End**

Resistance @ 25°C [KΩ]: **22 kΩ**

T_{ref} for Resistance: **25 °C [77 °F]**

β-Value(25/85): **3499 K**

Features

Product Type Features

Sensor Type	Air/Gas
-------------	---------

Electrical Characteristics

Resistance @ 25°C [KΩ]	22 kΩ
β-Value(25/85)	3499 K

Mechanical Attachment

Wire Length	1830 mm[72 in]
Wire/Cladding	40 AWG, Solid Nickel, Brown Isomid Insulation

Usage Conditions

Operating Temperature Range	-40 – 125 °C[-40 – 257 °F]
T _{ref} for Resistance	25 °C[77 °F]
Temperature Accuracy	± 4.2 @ 37 °C
Tolerance Resistance	±15 %

Packaging Features

Package	Miniature Glass Radial
---------	------------------------

Other

Sensor Connector Type	Open End
-----------------------	----------

Product Compliance

[For compliance documentation, visit the product page on TE.com>](#)

EU RoHS Directive 2011/65/EU	Compliant with Exemptions
EU ELV Directive 2000/53/EC	Out of Scope
China RoHS 2 Directive MIIT Order No 32, 2016	Restricted Materials Above Threshold
EU REACH Regulation (EC) No. 1907/2006	Current ECHA Candidate List: JUNE 2023 (235) Candidate List Declared Against: JAN 2023 (233) Does not contain REACH SVHC
Halogen Content	Not Yet Reviewed for halogen content
Solder Process Capability	Not reviewed for solder process capability

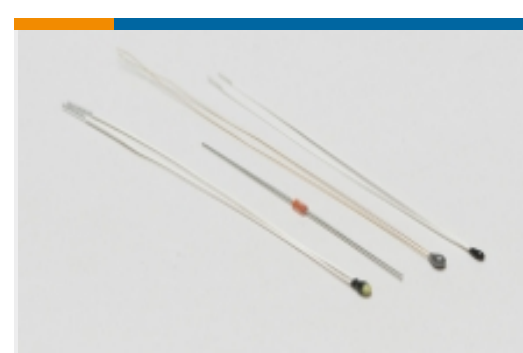
Product Compliance Disclaimer

This information is provided based on reasonable inquiry of our suppliers and represents our current actual knowledge based on the information they provided. This information is subject to change. The part numbers that TE has identified as EU RoHS compliant have a maximum concentration of 0.1% by weight in homogenous materials for lead, hexavalent chromium, mercury, PBB, PBDE, DBP, BBP, DEHP, DIBP, and 0.01% for cadmium, or qualify for an exemption to these limits as defined in the Annexes of Directive 2011/65/EU (RoHS2). Finished electrical and electronic equipment products will be CE marked as required by Directive 2011/65/EU. Components may not be CE marked. Additionally, the part numbers that TE has identified as EU ELV compliant have a maximum concentration of 0.1% by weight in homogenous materials for lead, hexavalent chromium, and mercury, and 0.01% for cadmium, or qualify for an exemption to these limits as defined in the Annexes of Directive 2000/53/EC (ELV). Regarding the REACH Regulation, the information TE provides on SVHC in articles for this part number is based on the latest European Chemicals Agency (ECHA) 'Guidance on requirements for substances in articles' posted at this URL: <https://echa.europa.eu/guidance-documents/guidance-on-reach>

Also in the Series | MEAS MCD

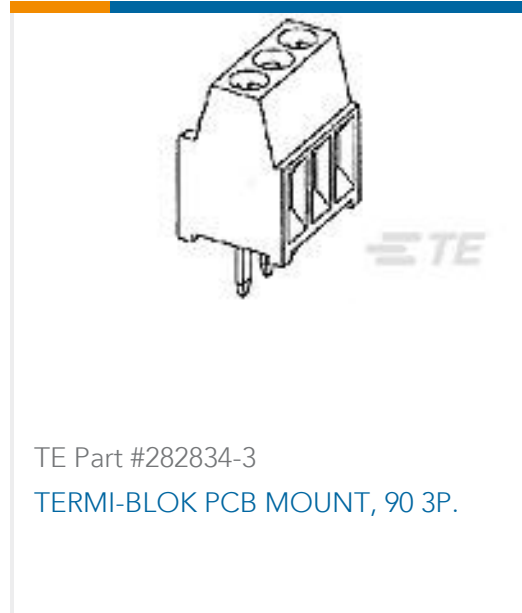


NTC Probes(1)



NTC Thermistors(3)

Customers Also Bought



Documents

Datasheets & Catalog Pages

[G22K7MCD419](#)

English