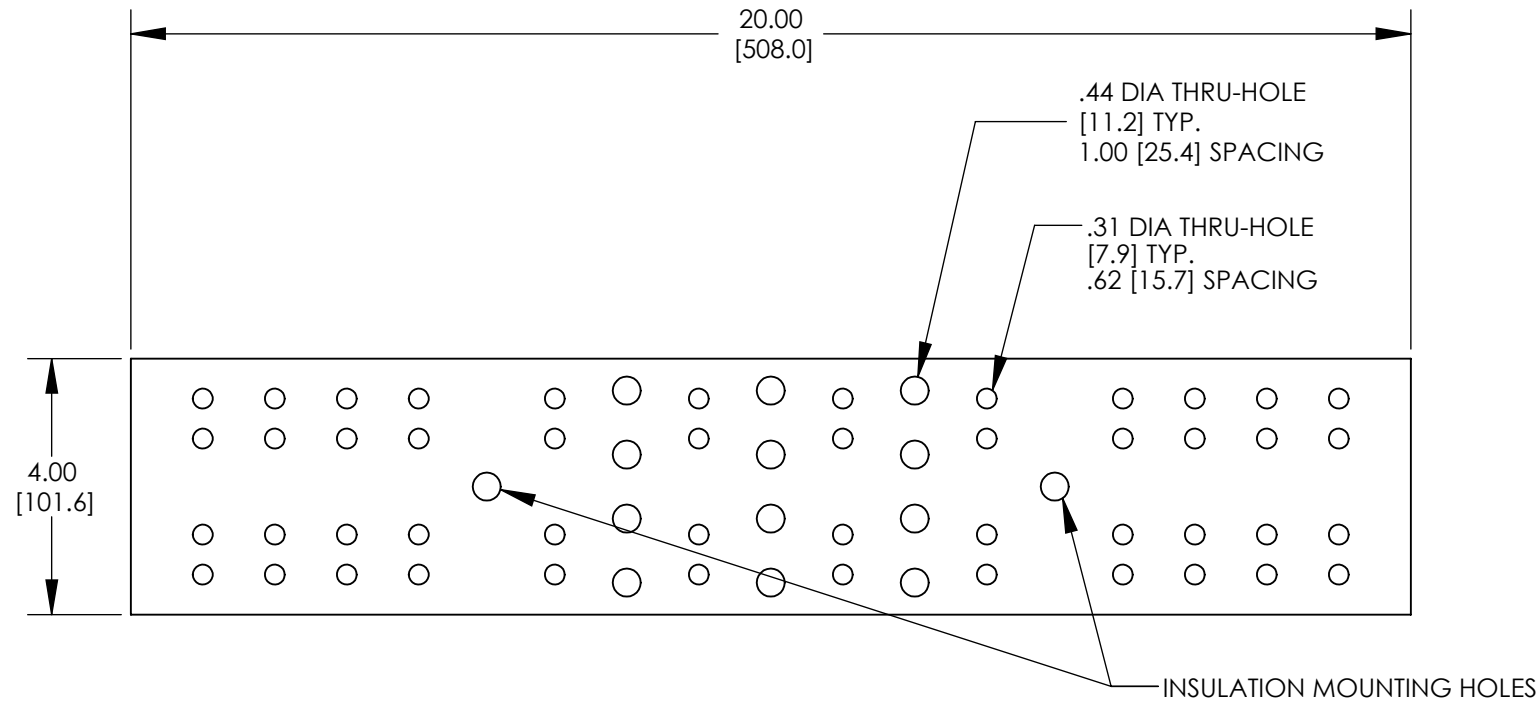
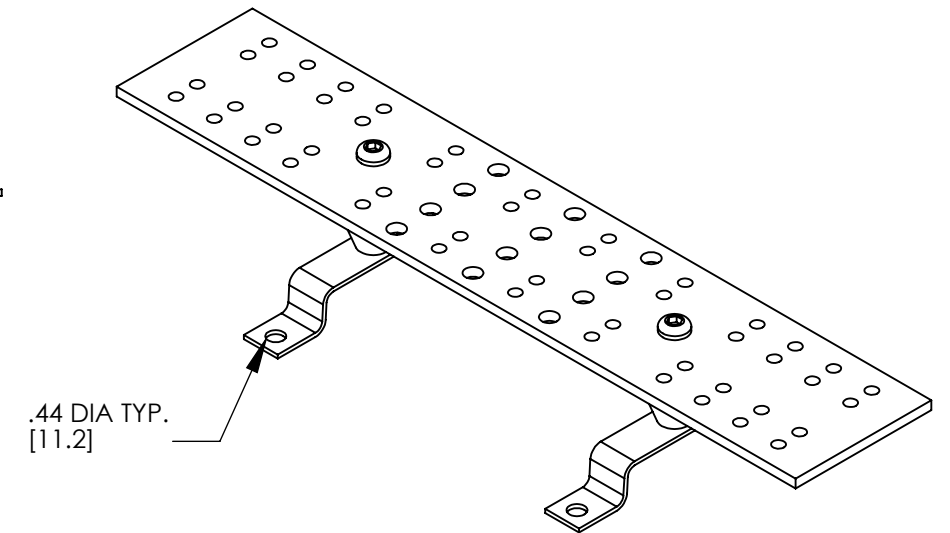
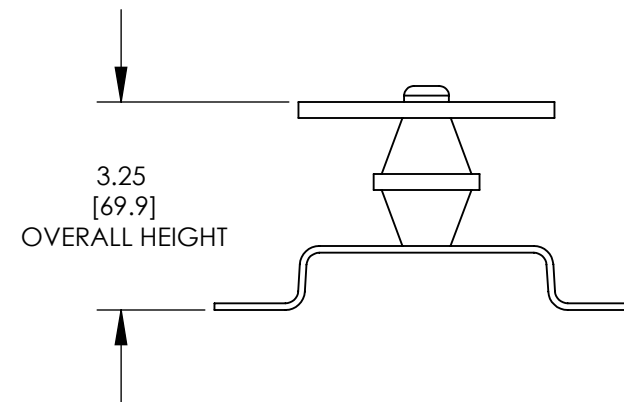
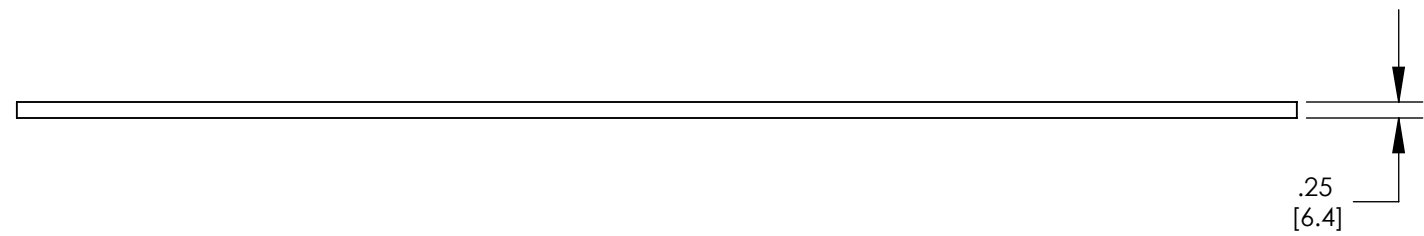


THIS COPY IS PROVIDED ON A RESTRICTED BASIS AND IS NOT TO BE USED IN ANY WAY DETRIMENTAL TO THE INTERESTS OF PANDUIT CORP.



NOTES:

1. KIT COMES FULLY ASSEMBLED
2. KIT INCLUDES BUSBAR, MOUNTING BRACKETS, INSULATORS, AND MOUNTING HARDWARE.
3. MEETS BICSI/J-STD-607-A
4. DIMENSIONS IN PARENTHESIS ARE MILLIMETERS.



ASSEMBLED AS SHOWN

REV	DATE	BY	CHK	APR	DESCRIPTION	ECN	TITLE	ITEM REVISION NAME	DATASET FILE NAME	MATERIAL	DRAWING NUMBER	SIZE
05	3/13	JHNU	JHNU	RGB	REVISED TITLE BLOCK	N41503BA-C41503	GROUNDING BUSBAR (GB4B0624TPI) CUSTOMER DRAWING	N41503BA-C41503/05	C41503/05.SLDDRW		C41503_05	B
							UNLESS OTHERWISE SPECIFIED, DIMENSIONAL TOLERANCES ARE: IN [mm]					
							.X ±		.XXX ±			
							.XX ±		ANGLES ±			
							THIRD ANGLE PROJECTION					
							DRAWN BY JHNU		DATE 2/05		SHEET 1 OF 1	
							CHK XXXX		SCALE NONE			