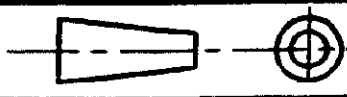


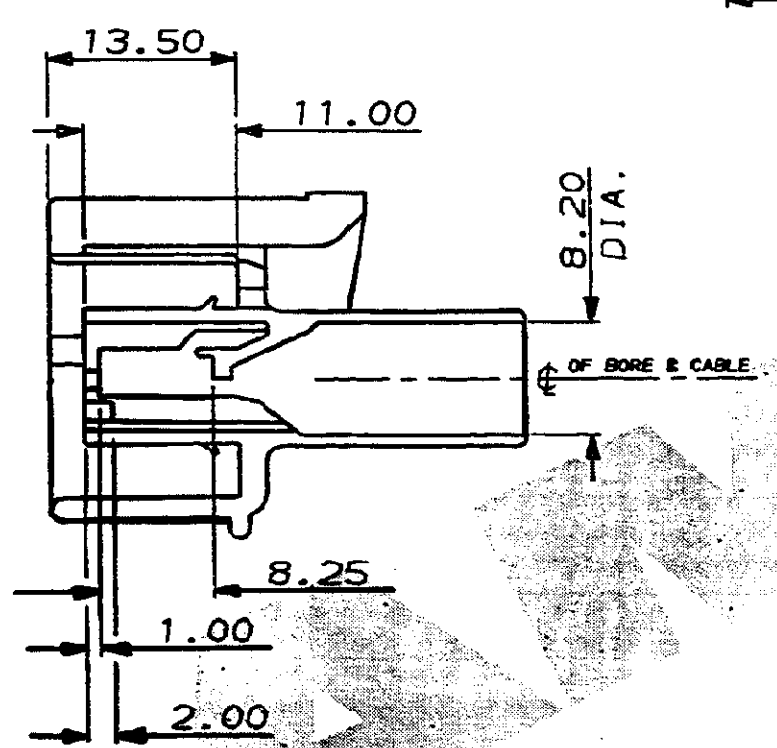
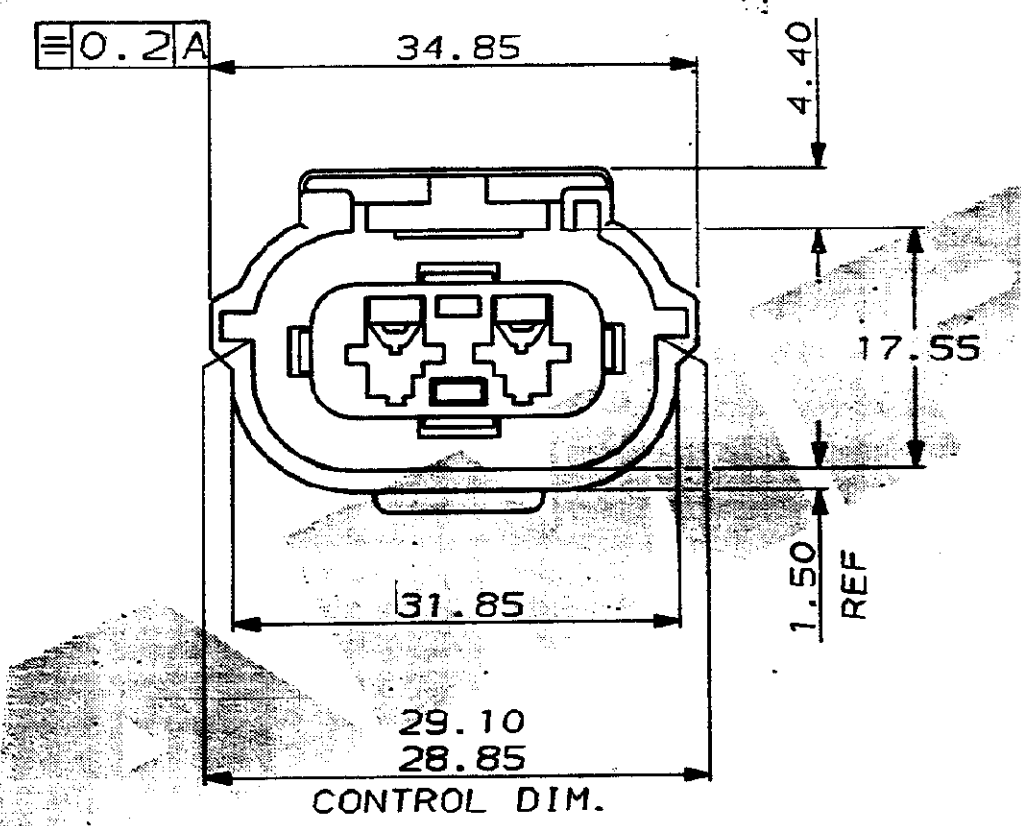
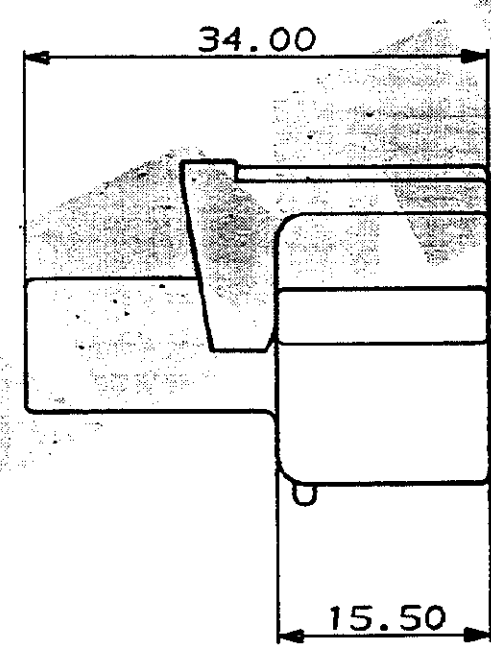
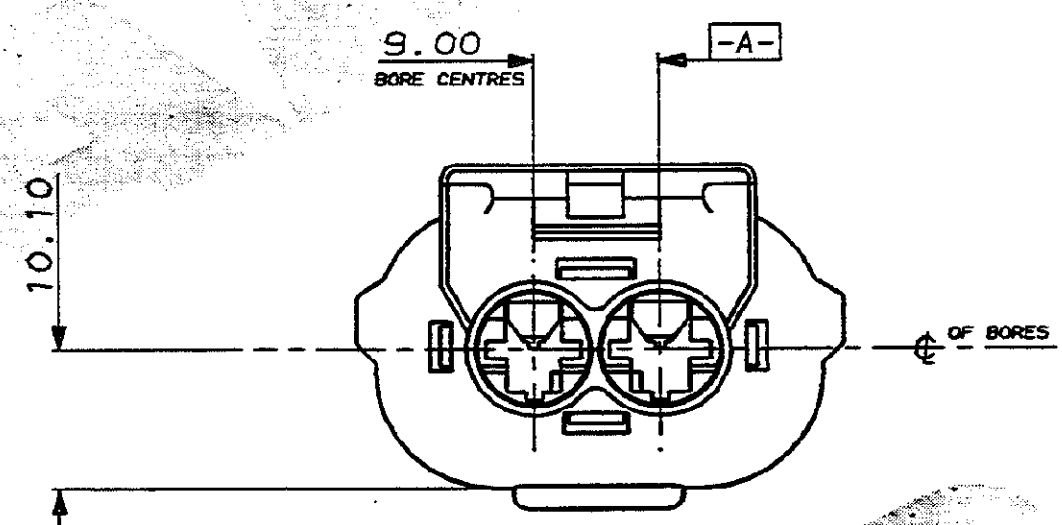
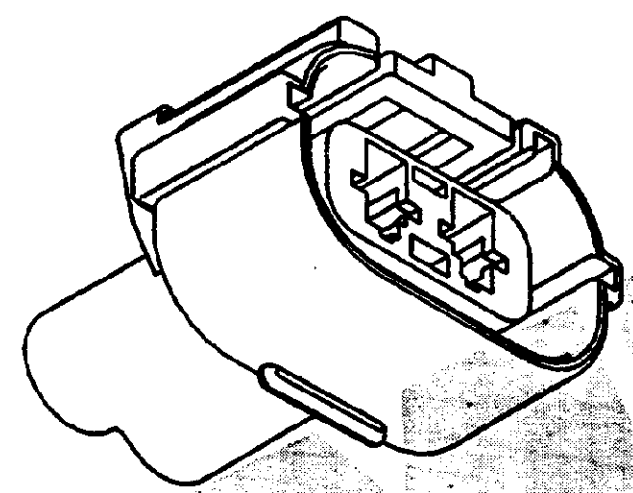
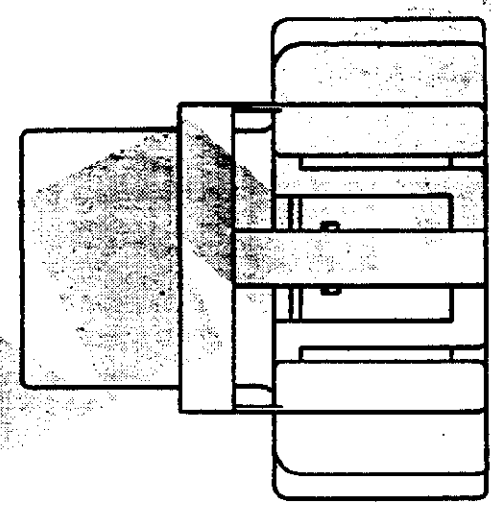
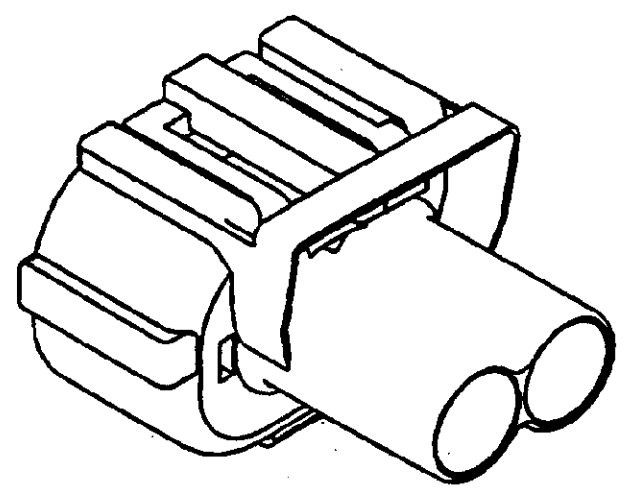
8 7 6 5 4 3 2 1

DO NOT SCALE

DIMENSIONS IN MM.



C.A.D. FILE CODE  
S. C344078.D



WHITE	NYLON 66	344078-4
BLUE	NYLON 66	344078-3
RED	NYLON 66	344078-2
BLACK	NYLON 66	344078-1
FINISH	MATERIAL	PART NUMBER
<b>CUSTOMER DWG</b> FOR REFERENCE ONLY		©COPYRIGHT 1987 BY AMP OF GREAT BRITAIN LTD. ALL INTERNATIONAL RIGHTS RESERVED. ALL PRODUCTS MAY BE COVERED BY BRITISH AND FOREIGN PATENTS AND/OR PATENTS PENDING.
TOLERANCES UNLESS OTHERWISE STATED : DEC ± 0.5 ANGLES ± 1°		DR. I. J. 22/06/87 CHL R. J. S. APP. B. J.
NAME 2 WAY RECEPTACLE HSG ECONOSEAL 3 HIGH CURRENT		TERMINAL HOUSE STAMMORE MIDDX.
D ADDED -1, -2 & -4 CS874 28.11.81 C ADDED CONE PICTORIAL CHANGE ONLY CS888 16.1.82 B UPDATED CS241 13.4.83 A UPDATED CS888 28.7.83 D REL. FOR PROD. C4735 22.2.88 REV APPROVED ECM DATE	SCALE 2/1 LOC E SIZE A2 DWS. No. C344078	REV D SHEET 1/1