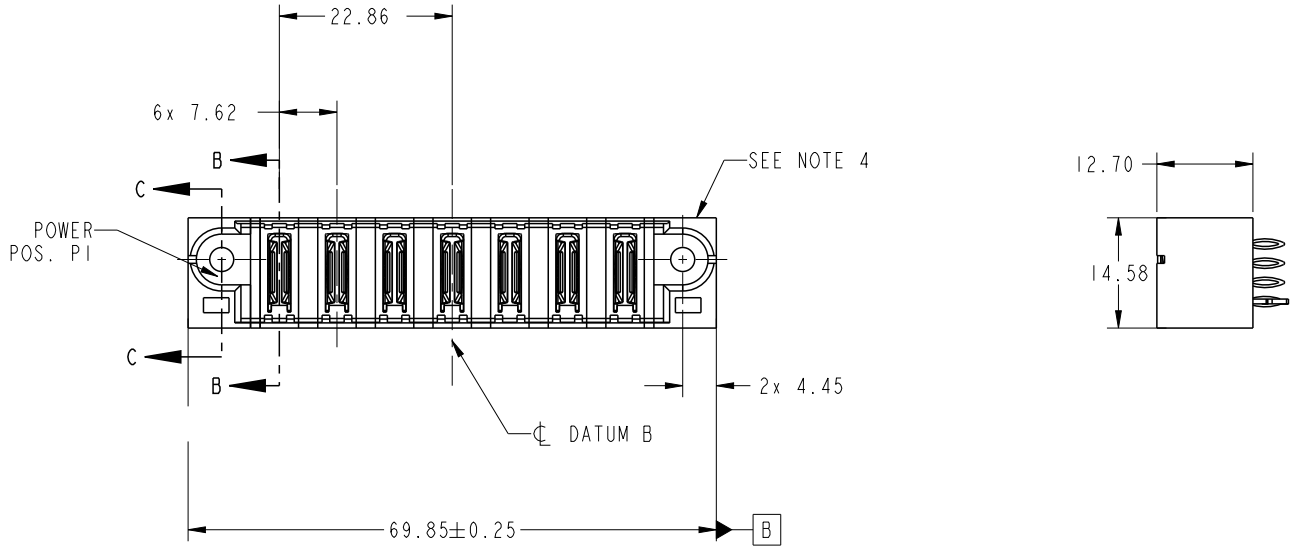




Copyright FCI.

PRODUCT NO. 51952-281-- NOTE ③	POWER							E2
	E1	P1	P2	P3	P4	P5	P6	



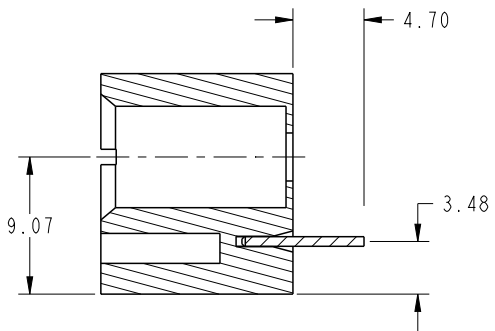
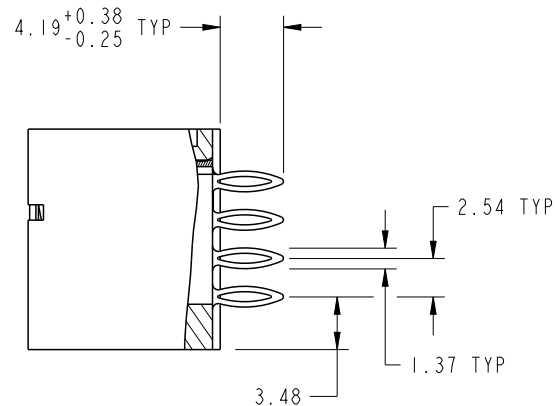
CODE	DIM "M" MATING LENGTH	CONTACT TYPE
PC	[N/A]	POWER
HA	[N/A]	HOLD-DOWN

spec ref	See Notes			dr	Ruan MT	2014/06/24	projection 	MM ←→	size	A4	scale	1:1	
tolerance std	TOLERANCES UNLESS OTHERWISE SPECIFIED			eng	De-Ming Lu	2014/08/28			ecn no	-			
See Notes				chr	-	-							
surface	linear	0.X	±0.50	appr	Pei-Ming Zheng	2014/08/28	product family	PwrBlade	rel level	Released			
		0.XX	±0.25				title	7ACP		dwg no	51952-281	rev	A
		0.XXX	±0.10				cat. no.	-	Product - Customer Drw				
	angular	0°	±2°	www.fci.com			Product - Customer Drw		sheet 1 of 4				

PrdE File - REV C - 2009-06-09

PRODUCT NUMBER

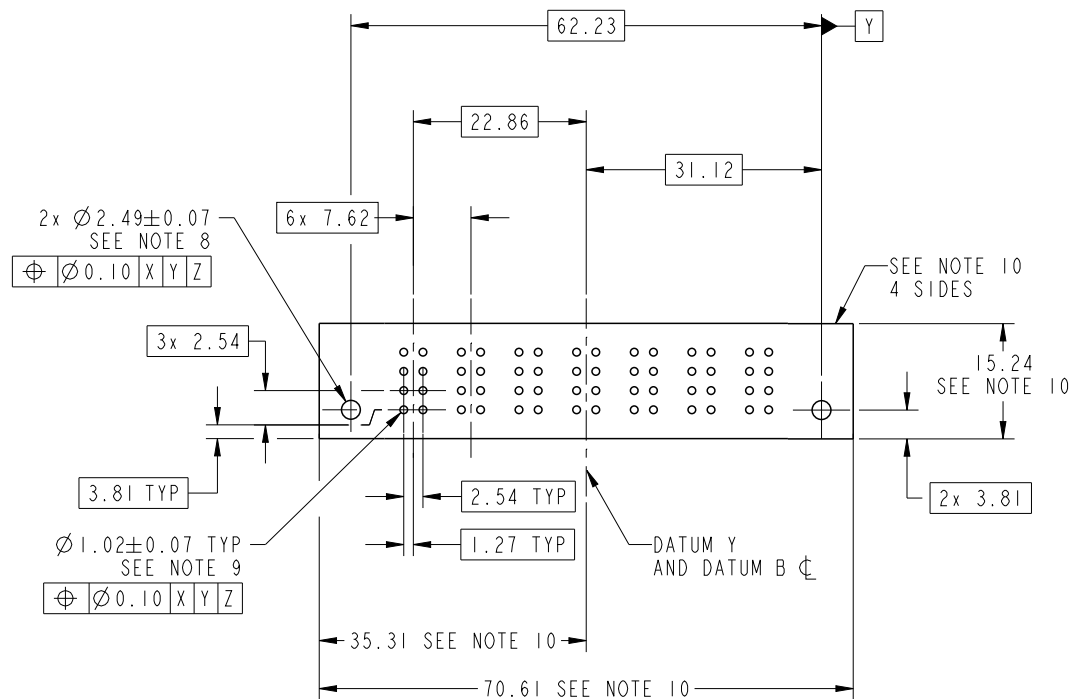
51952-281--  
NOTE 3



dr	Ruan MT	2014/06/24	projection 	MM ←→	size	A4	scale	1:1	
eng	De-Ming Lu	2014/08/28			ecn no	-			
chr	-	-							
appr	Pei-Ming Zheng	2014/08/28	product family	PwrBlade	rel level	Released			
	title	7ACP VERTICAL PF HEADER			dwg no	51952-281		rev	A
www.fci.com	cat. no.	-	Product - Customer Drw			sheet 2 of 4			

PRODUCT NUMBER

51952-281 --  
NOTE 3



RECOMMENDED PCB LAYOUT

dr	Ruan MT	2014/06/24	projection 	MM ←→	size	A4	scale	1:1
eng	De-Ming Lu	2014/08/28			ecn no	-		
chr	-	-			rel level	Released		
appr	Pei-Ming Zheng	2014/08/28	product family	PwrBlade	rev	A		
	title	7ACP VERTICAL PF HEADER		dwg no	51952-281			
www.fci.com	cat. no.	-	Product - Customer Drw	sheet 3 of 4				

PRODUCT NUMBER

51952-281\_\_  
NOTE 3

NOTES:

1. DIMENSIONS AND TOLERANCES ARE IN ACCORDANCE WITH ASME Y14.5M, 1994 UNLESS OTHERWISE SPECIFIED.

CONNECTOR NOTES:

- ② HOUSING MATERIAL: UL 94 V-0 GLASS FILLED HIGH-TEMP THERMOPLASTIC  
POWER CONTACT MATERIAL: COPPER ALLOY  
SIGNAL PIN MATERIAL: COPPER ALLOY
- 3. SEE ITEM 3 & 4 IN PRINT 10064183 FOR PLATING SPEC OF 51952-281 AND 51952-281LF RESPECTIVELY.

④ MANUFACTURER'S NAME, DATE CODE AND OPTIONAL P/N TO APPEAR ON THIS SURFACE. THE MARK CAN BE OMITTED IF THERE IS NOT ENOUGH SPACE ON THIS SURFACE.

5. PRODUCT SPECIFICATION GS-12-149.  
APPLICATION SPECIFICATION BUS-20-067.

6. PACKAGED IN TRAYS.

PCB NOTES:

- 7. ALL HOLE DIAMETERS ARE FINISHED HOLE SIZE.
- 8. MOUNTING HOLES, WHERE APPLICABLE, ARE UNPLATED.

⑨  $\varnothing 1.151 \pm 0.025$  DRILLED HOLES PLATED WITH 0.008 MIN SnPb OR Sn OVER .001 [0.03] TO 0.08 Cu PLATING TO ACHIEVE  $\varnothing 1.02 \pm 0.07$  HOLE.

⑩ CONNECTOR KEEP-OUT ZONE.

dr	Ruan MT	2014/06/24	projection 	MM 	size	A4	scale	1:1		
eng	De-Ming Lu	2014/08/28			ecn no	-				
chr	-	-			product family	PwrBlade	rel level	Released		
appr	Pei-Ming Zheng	2014/08/28			title	7ACP VERTICAL PF HEADER	dwg no	51952-281	rev	A
www.fci.com		cat. no.	-	Product - Customer Draw			sheet 4 of 4			



Copyright FCI.